

TC-X

Exploded View Drawing and Parts List

Model: **CF-X50VWN**

Model Number: **1M00504MN**

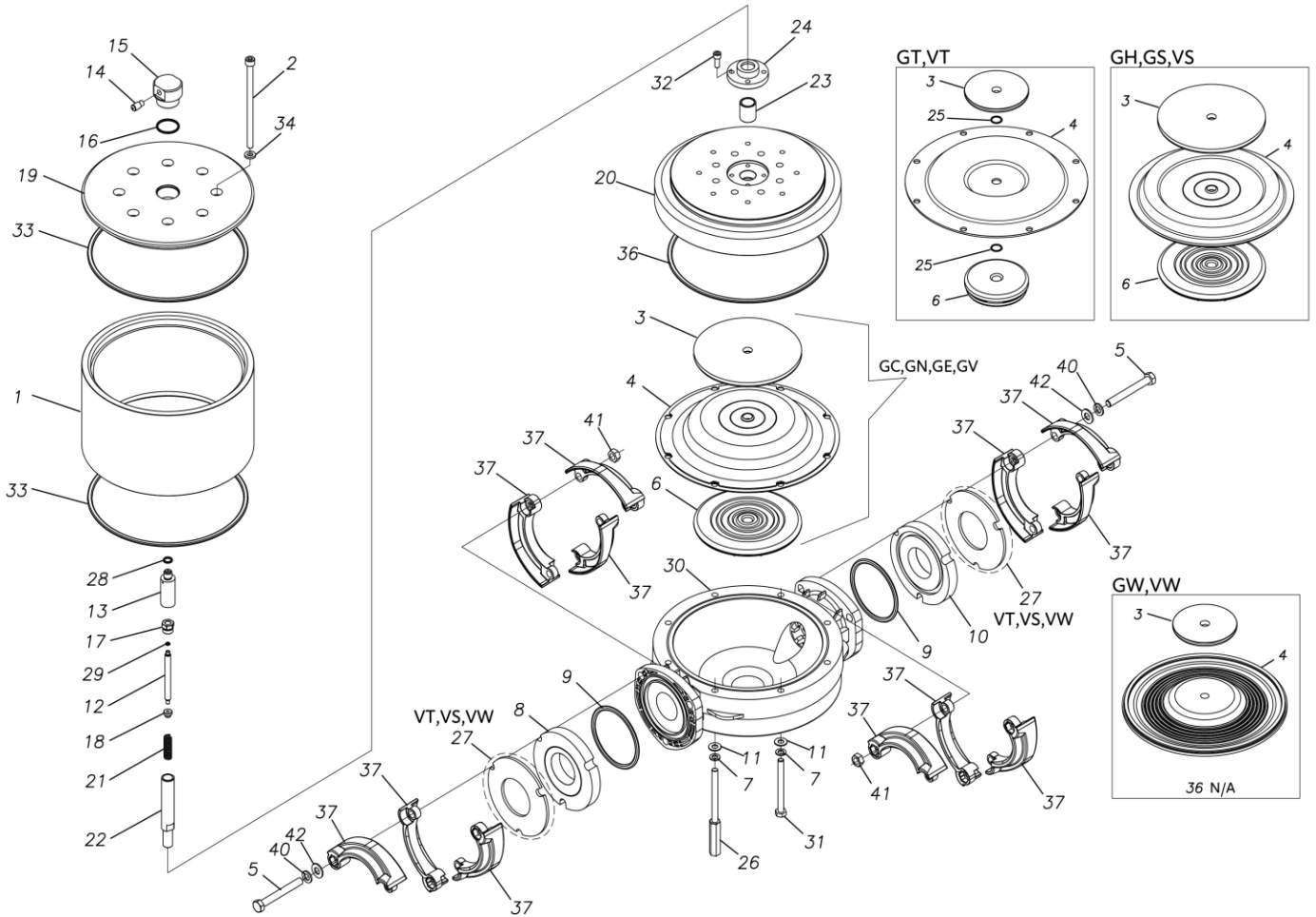
The part list and exploded view drawing as attached below indicate the full list of parts for the above mentioned pump model.

When ordering parts take care to select the correct model pump and required parts. Also be aware that models may change over time as improvements are made so cross-referencing the pumps serial number assembly date and service code are also recommended.

If you require specific spare parts you can also use this form to place your order.

For more information specific to your pump please refer to the pumps Service Book and Operation Manual available separately.

Please contact your Pump Distributor directly for more information.



■ Parts List

CF-X50VWN

1M00504MN

Ref.No.	Parts No.	Description	Parts Component	Remark
1	1M30044MM	AIR CHAMBER	1	
2	9B3291001	BOLT M10 × 170	8	
3	1L30084TM	CENTER DISK	1	
4	1M20068TE	DIAPHRAGM	1	
5	9B1291200	BOLT M12 × 100	6	
7	9W2211000	SPRING LOCK WASHER M10	8	
8	1M20052KN	FLANGE OUT	1	
9	9S1T90005	O RING ID φ 102 W φ 6	2	
10	1M20051KN	FLANGE IN	1	
11	9W1211000	PLAIN WASHER M10	8	
12	1M30045MM	VALVE	1	
13	1M30046MM	VALVE SEAT	1	
14	1D90004MN	SILENCER	1	
15	1M10011MN	VALVE ASSEMBLY	1	
16	9S1BG0035	O RING G-35	1	
17	1D30055MM	STOPPER CENTER ROD	1	
18	1D30056MM	STOPPER VALVE	1	
19	1M30047MM	AIR CHAMBER UPPER	1	
20	1M30048MM	AIR CHAMBER LOWER	1	
21	1D30059MM	SPRING	1	
22	1M30157TM	CENTER ROD	1	
23	1D30060MM	BEARING CENTER ROD	1	
24	1H30124MM	CASE BEARING	1	
26	1M30050MM	STUD	4	

Ref.No.	Parts No.	Description	Parts Component	Remark
27	1M30060MM	REINFORCEMENT PLATE	2	
28	9S1BP0012	O RING P-12	1	
29	9S1B90008	O RING P-4	1	
30	1M20022KM	OUT CHAMBER	1	
31	9B1291000	BOLT M10 × 105	4	
32	9B3410820	BOLT M8 × 20	4	
33	9S1BM0270	O RING GS-270	2	
34	1H30127MB	SEAL WASHER	8	
37	1M30156MB	PROTECTOR	12	
40	9W2211200	SPRING LOCK WASHER M12	6	
41	9N1211200	NUT M12	6	
42	9W1211200	PLAIN WASHER M12	6	