

TC-X

Exploded View Drawing and Parts List

Model: **TC-X800AVA**

Model Number: **1P00326MN**

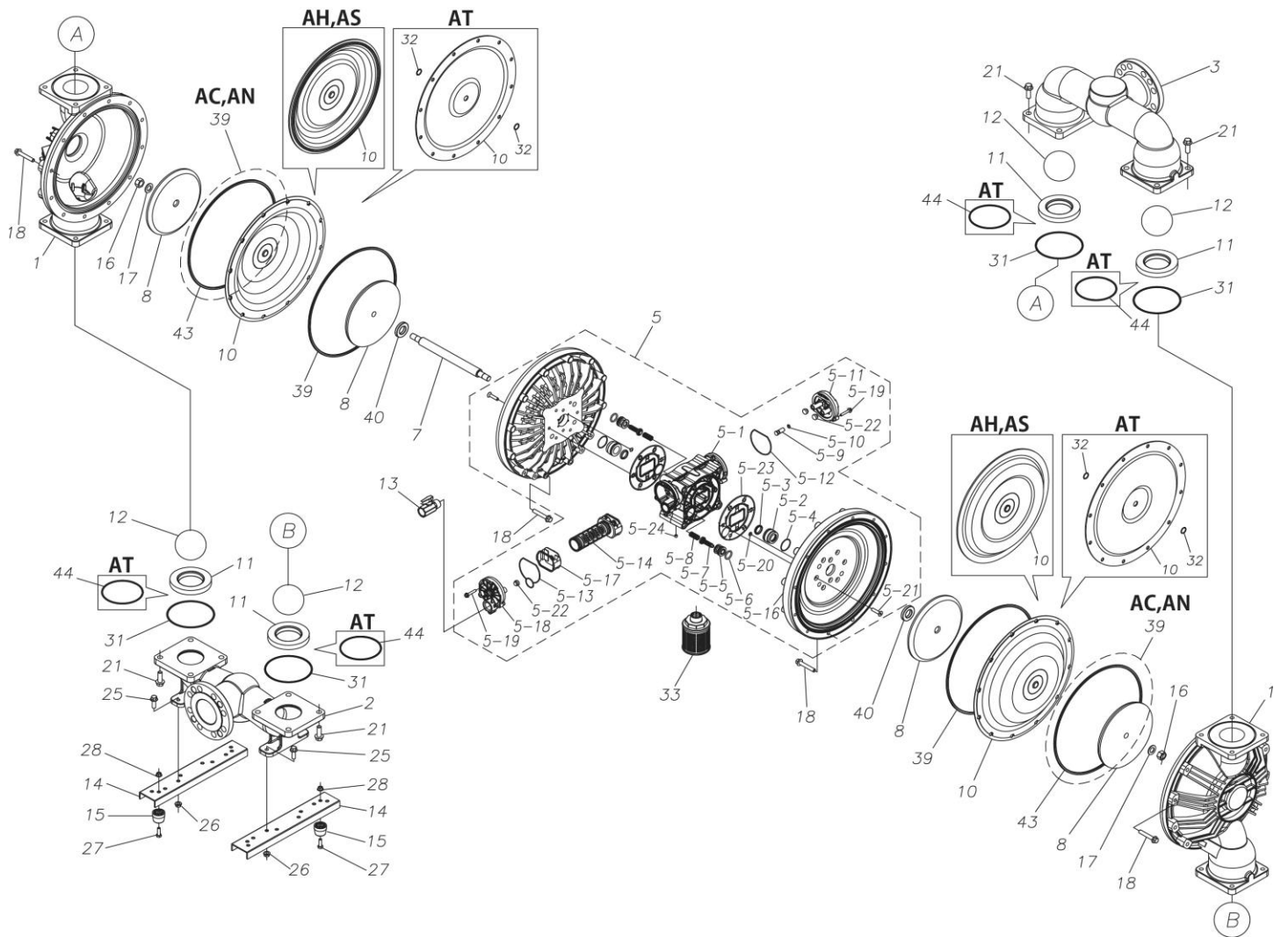
The part list and exploded view drawing as attached below indicate the full list of parts for the above mentioned pump model.

When ordering parts take care to select the correct model pump and required parts. Also be aware that models may change over time as improvements are made so cross-referencing the pumps serial number assembly date and service code are also recommended.

If you require specific spare parts you can also use this form to place your order.

For more information specific to your pump please refer to the pumps Service Book and Operation Manual available separately.

Please contact your Pump Distributor directly for more information.



■ Parts List

TC-X800AVA

1P00326MN

| Ref.No. | Parts No. | Description | Parts Component | Remark |
|---------|-----------|---------------|-----------------|--------|
| 1 | 1P20005AM | OUT CHAMBER | 2 | |
| 2 | 1P20006AU | IN MANIFOLD | 1 | |
| 3 | 1P20008AU | OUT MANIFOLD | 1 | |
| 5 | 1P10003MN | BODY ASSEMBLY | 1 | |

| Ref.No. | Parts No. | Description | Parts Component | Remark |
|---------|-----------|------------------------------------|-----------------|---|
| 5-1 | 1L30054MN | BODY | 1 | The parts of #5 are available with a set as [1P10003MN:BODY ASSEMBLY]. This is also available individually. |
| 5-2 | 1P30001MM | BEARING CENTER ROD | 2 | |
| 5-3 | 9S2BA0025 | PACKING | 2 | |
| 5-4 | 9S1BS0036 | O RING S-36 | 2 | |
| 5-5 | 1L30063MM | PILOT VALVE SEAT | 2 | |
| 5-6 | 9S1BP1022 | O RING P-22A | 2 | |
| 5-7 | 1P30021MB | PILOT VALVE | 2 | |
| 5-8 | 1L30064MM | SPRING | 2 | |
| 5-9 | 1L30065MM | RESET BUTTON | 1 | |
| 5-10 | 9S1BP0008 | O RING P-8 | 1 | |
| 5-11 | 1L30056MB | CAP | 1 | |
| 5-12 | 1L30061MB | PACKING CAP | 1 | |
| 5-13 | 1L30060MB | PACKING CAP IN | 1 | |
| 5-14 | 1L10003MK | C SPOOL VALVE ASSEMBLY (Looped C®) | 1 | |
| 5-16 | 1P30022MM | AIR CHAMBER | 2 | |
| 5-17 | 1L30005MB | SPRING STOPPER | 1 | |
| 5-18 | 1L30055MN | CAP IN | 1 | |
| 5-19 | 9B2210635 | BOLT M6 × 35 | 7 | |
| 5-20 | 9T6125008 | SCREW M5 × 8 | 8 | |
| 5-21 | 9B5410835 | BOLT M8 × 35 | 16 | |
| 5-22 | 1L30062MB | CUSHION | 4 | |
| 5-23 | 1L30059MB | PACKING BODY | 2 | |
| 5-24 | 9P62P9901 | PLUG | 2 | |
| 7 | 1P20044MM | CENTER ROD | 1 | |
| 8 | 1P20028MM | CENTER DISK | 4 | |
| 10 | 1P20002VB | DIAPHRAGM | 2 | |
| 11 | 1P20015VB | VALVE SEAT | 4 | |
| 12 | 1P20003VB | BALL | 4 | |
| 13 | 1M90001MN | BALL VALVE | 1 | |
| 14 | 1P30014MM | BASE | 2 | |
| 15 | 1E30070MB | RUBBER FEET | 4 | |
| 16 | 9N1731600 | NUT M16 × 1.5 | 2 | |
| 17 | 9W3311600 | CONED DISK SPRING M16 | 2 | |
| 18 | 9B2111070 | BOLT M10 × 70 | 24 | |
| 21 | 9B2111240 | BOLT M12 × 40 | 16 | |
| 25 | 9B2111030 | BOLT M10 × 30 | 4 | |
| 26 | 9N2111000 | NUT M10 | 4 | |
| 27 | 9B1110825 | BOLT M8 × 25 | 4 | |
| 28 | 9N2110800 | NUT M8 | 4 | |
| 31 | 9S1VG0135 | O RING G-135 | 4 | |
| 33 | 1L90002MN | SILENCER | 1 | |
| 39 | 9S1BG0350 | O RING G-350 | 2 | |
| 40 | 1M30033MB | CUSHION CENTER DISK | 2 | |
| 43 | 9S1VG0350 | O RING G-350 | 2 | |