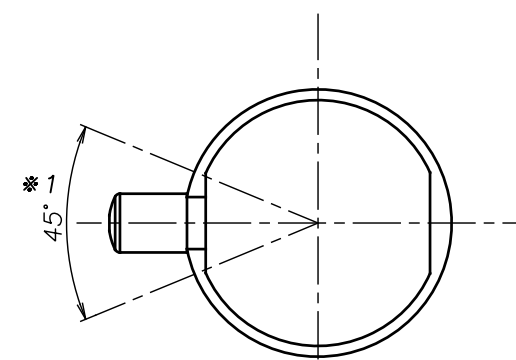
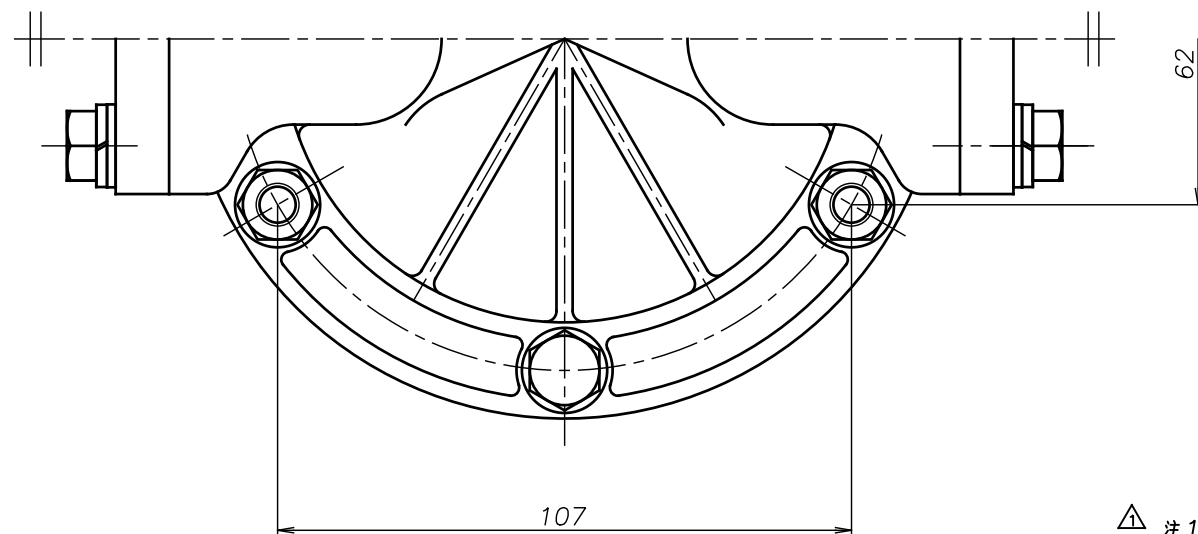
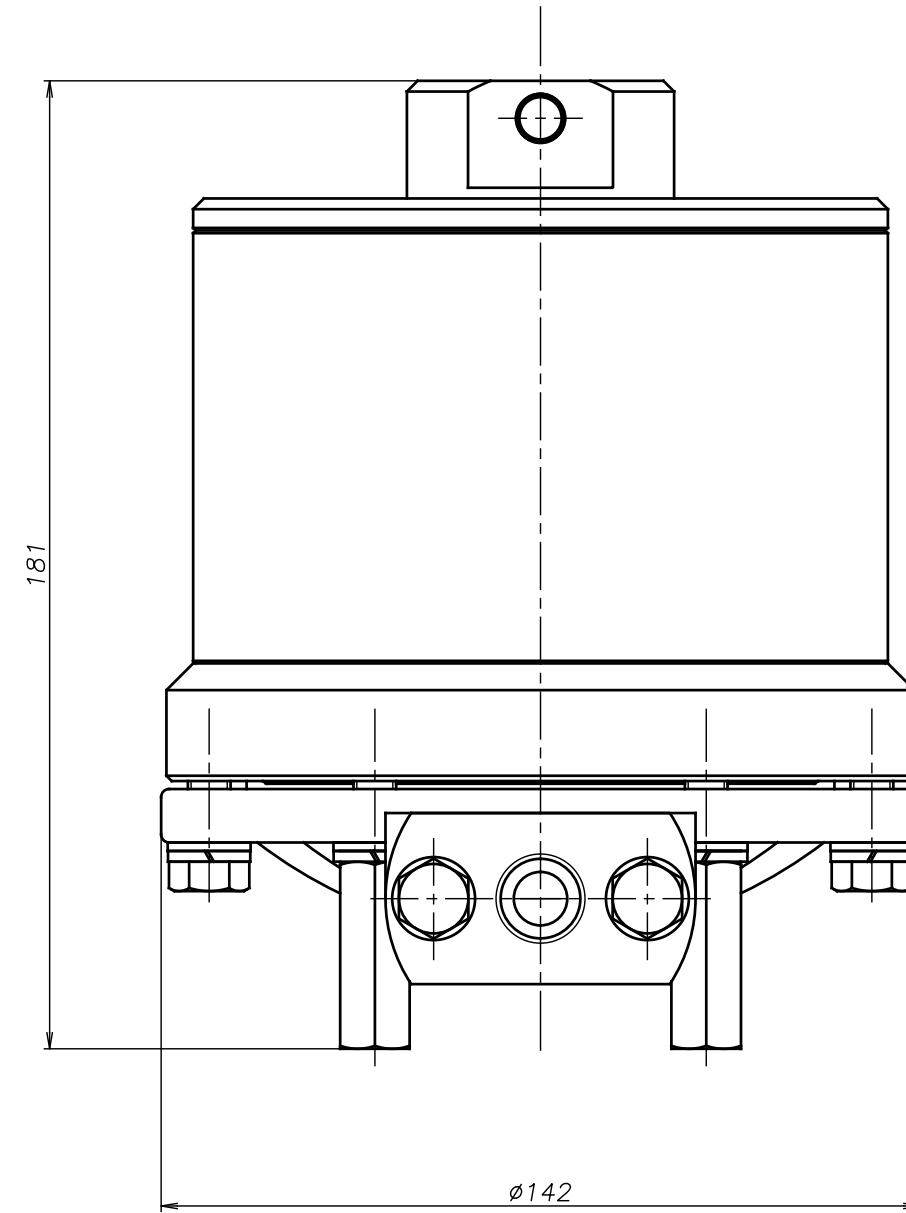
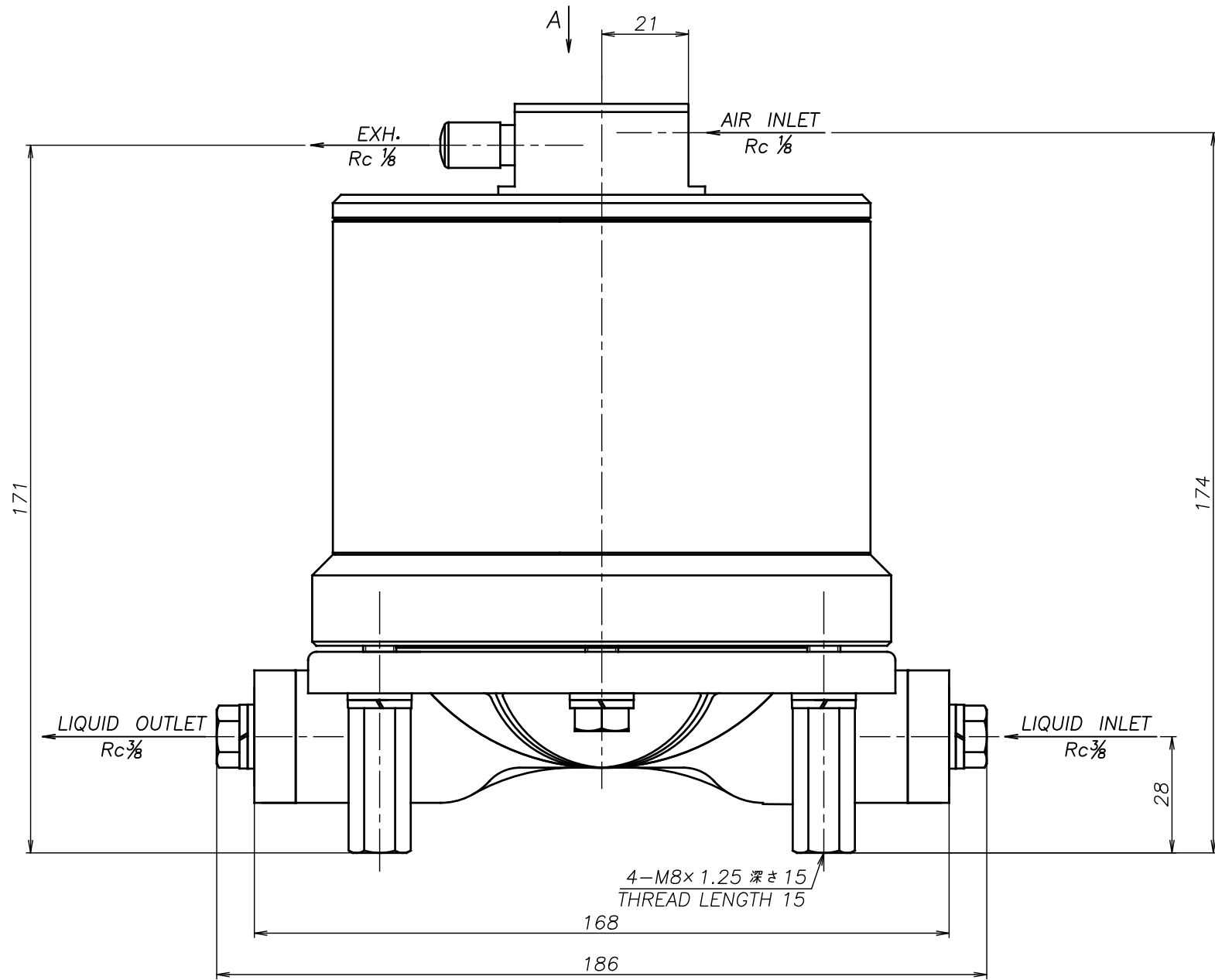


SYM	DWG.NO	CHANGE NO	DATE	REV'D BY
△	ALL	1DE0010	'16. 6.16	S.Murata
△	ALL	1BE0006 誤記訂正	'20. 6.23	K.Nakada



△ A部分矢視図
PARTIAL VIEW A

△ 注1) AIR INLET, EXH.は *1 の範囲で固定されています
△ NOTE:1) AIR INLET & EXH. port are fixed in the range of *1.

CF-X10AS	THIRD ANG. PROJ.	DWG.NO.	1D00102YP-B
CF-X10AH	THIRD ANG. PROJ.	DWG.NO.	1D00101YP-B
CF-X10AT	THIRD ANG. PROJ.	DWG.NO.	1D00100YP-B
CF-X10AN	THIRD ANG. PROJ.	DWG.NO.	1D00099YP-B
CF-X10AC	THIRD ANG. PROJ.	DWG.NO.	1D00098YP-B

APP'D BY '20. 8.18 S.Murata
CHECKED BY '20. 8.18 K.Nakano
DRAWN BY '20. 8.18 K.Nakada

YTS Co., Ltd JAPAN

THE DWG. OF:
ダンパアセンブリ
DAMPER ASSEMBLY
SCALE Free