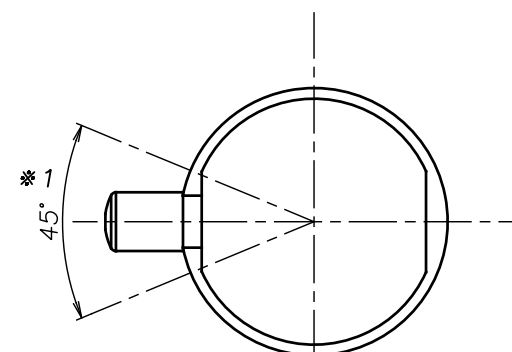
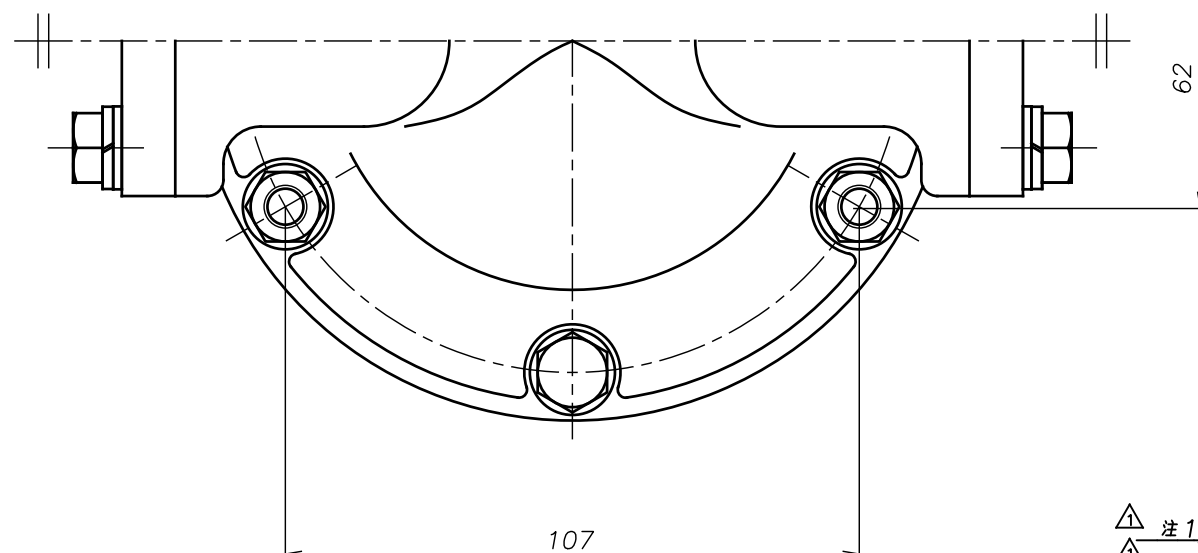
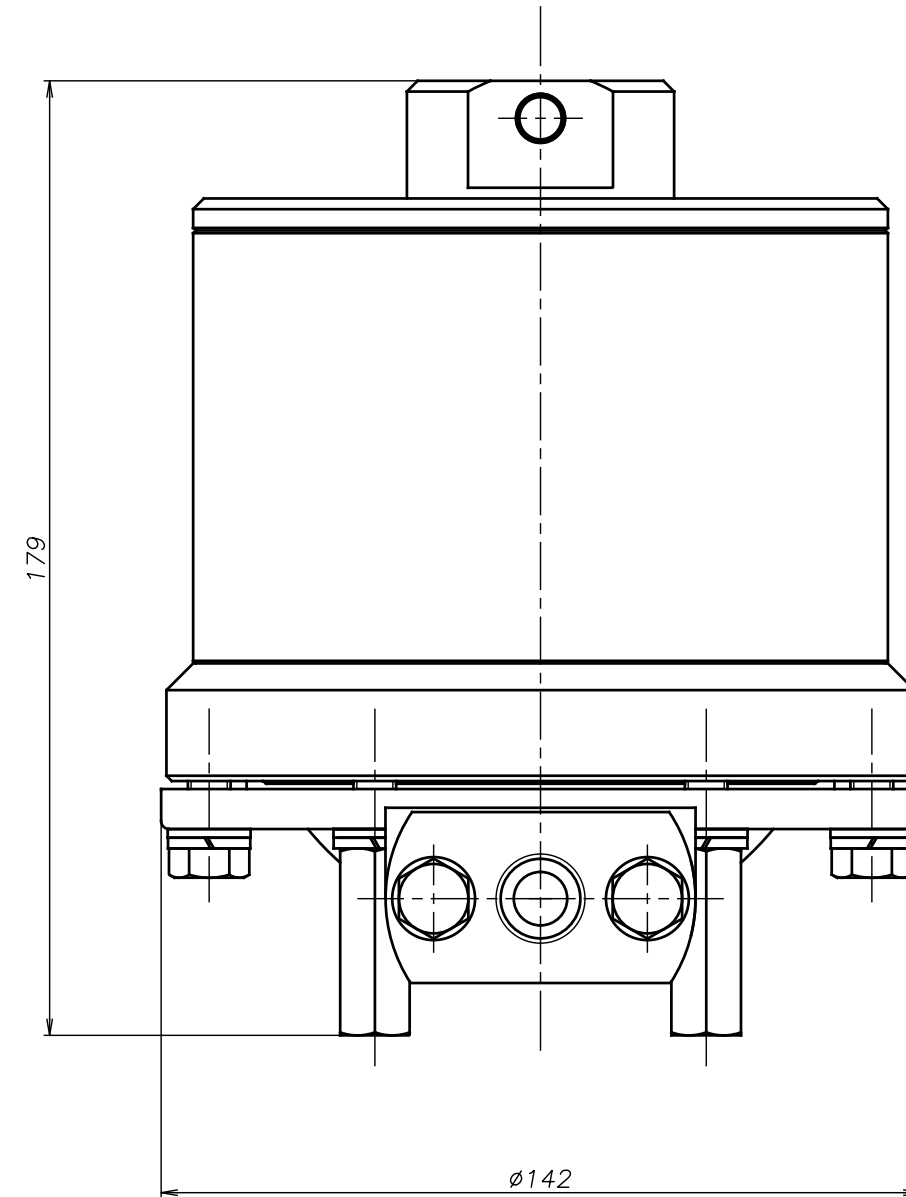
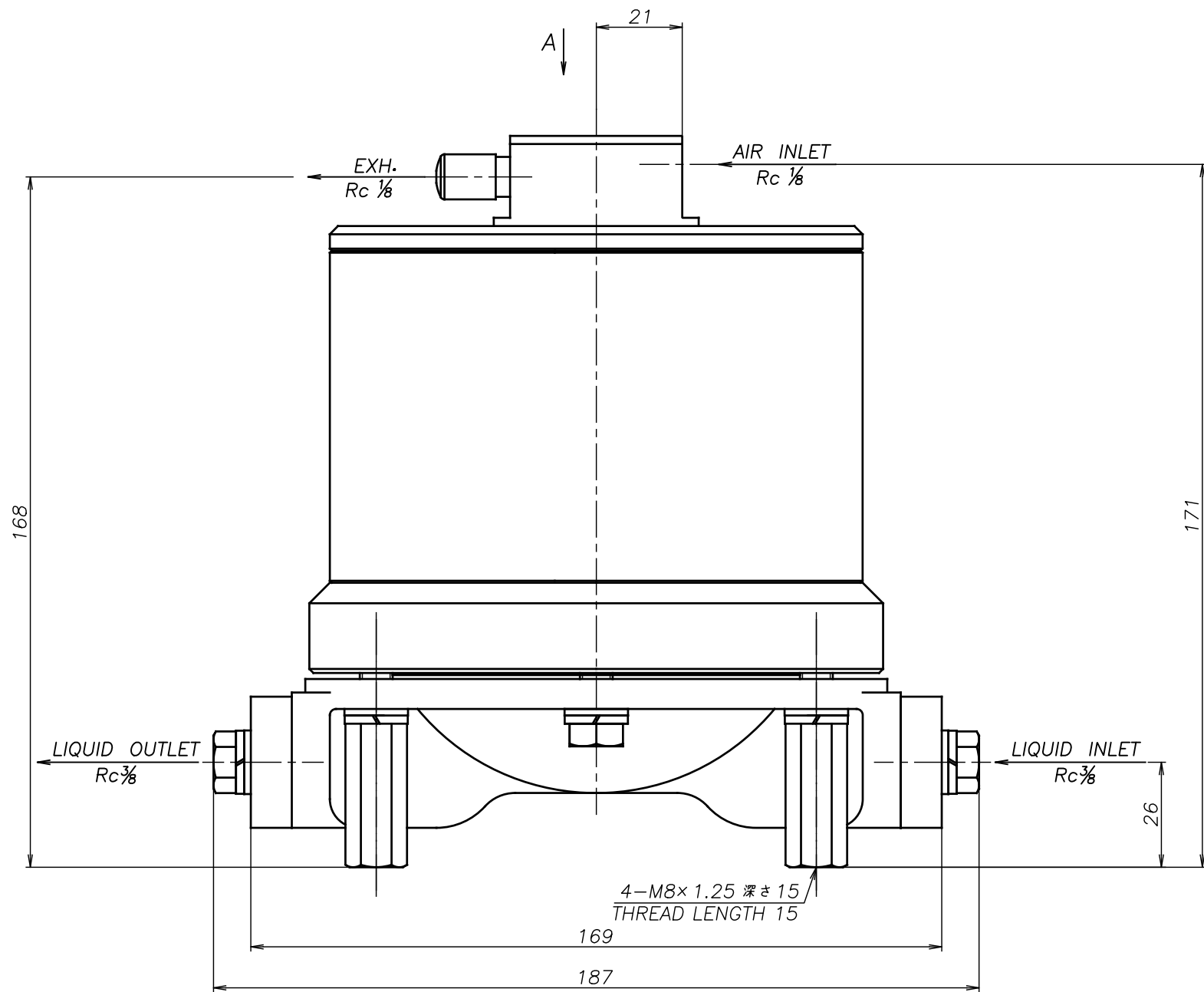


SYM	DWG.NO	CHANGE NO	DATE	REV'D BY
△	ALL	1DE0010	'16. 6.16	S.Murata
△	ALL	1BE0006 誤記訂正	'20. 6.23	K.Nakada



△ A部分矢視図
PARTIAL VIEW A

△ 注1) AIR INLET, EXH.は ※1 の範囲で固定されています
△ NOTE:1) AIR INLET & EXH. port are fixed in the range of ※1.

CF-X10SS	THIRD ANG. PROJ.	DWG.NO.
	SCALE Free	1D00107YP-B
CF-X10SH	THIRD ANG. PROJ.	DWG.NO.
	SCALE Free	1D00106YP-B
CF-X10ST	THIRD ANG. PROJ.	DWG.NO.
	SCALE Free	1D00105YP-B
CF-X10SN	THIRD ANG. PROJ.	DWG.NO.
	SCALE Free	1D00104YP-B
APP'D BY '20. 8.18 S.Murata	THE DWG. OF:	
CHECKED BY '20. 8.18 K.Nakano	ダンパアセンブリ	
DRAWN BY '20. 8.18 K.Nakada	DAMPER ASSEMBLY	
	CF-X10SC	
	THIRD ANG. PROJ.	DWG.NO.
	SCALE Free	1D00103YP-B

YTS Co., Ltd JAPAN