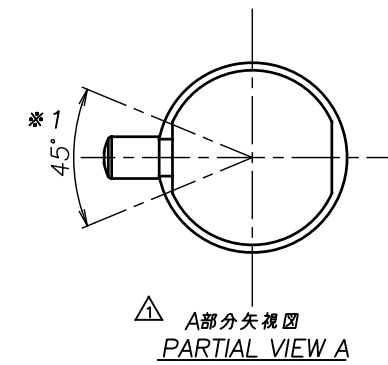
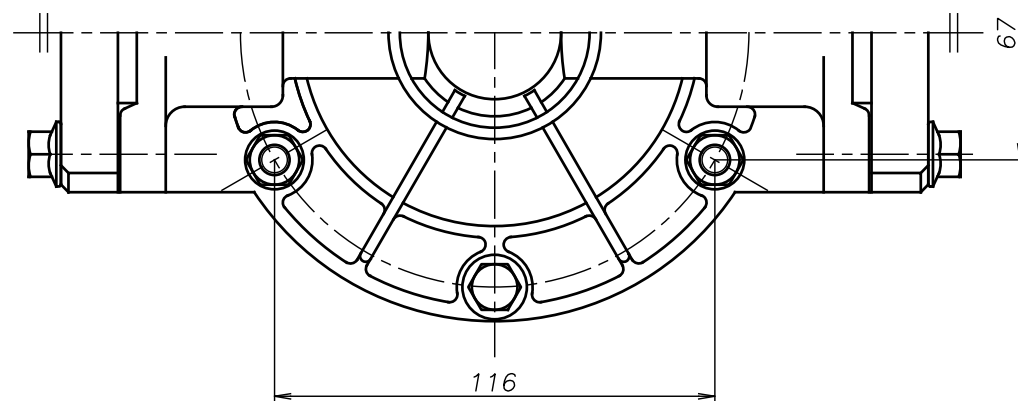
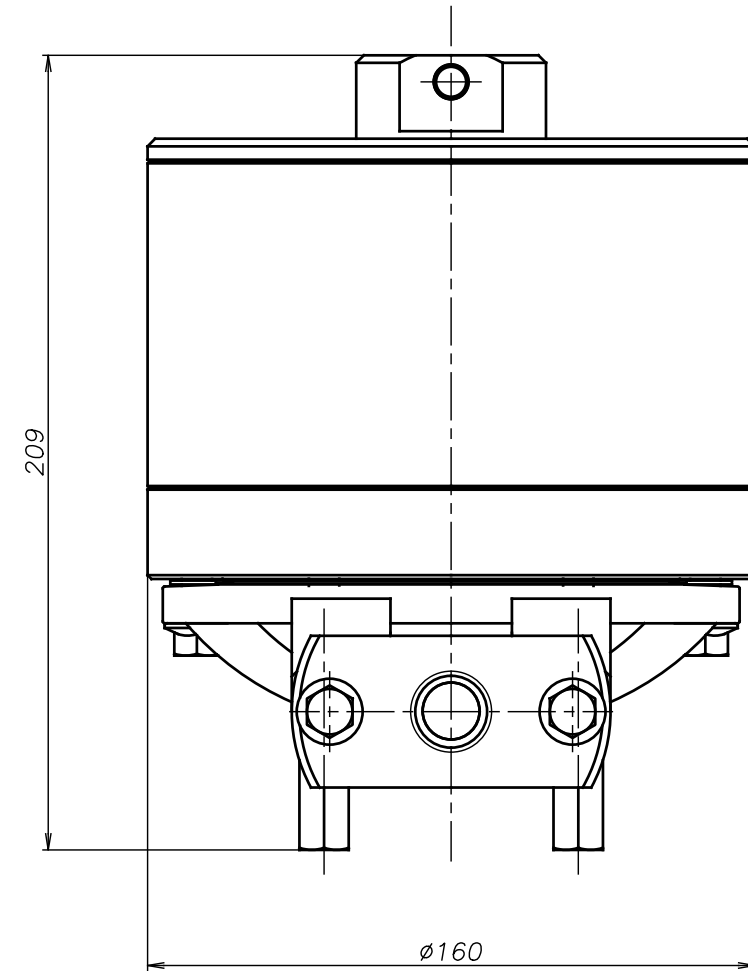
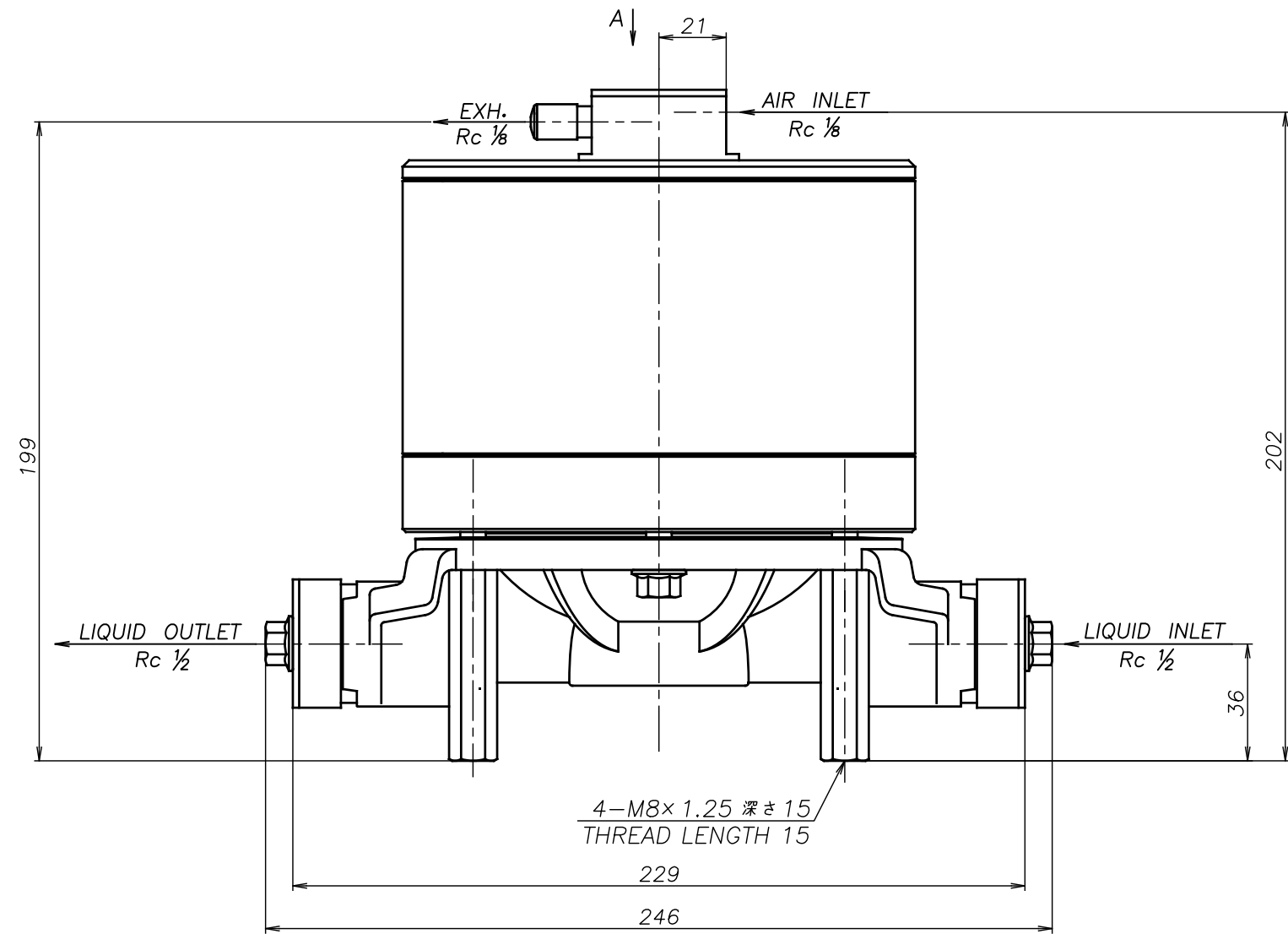


SYM	DWG.NO	CHANGE NO	DATE	REV'D BY
△	ALL	1EE0037	'19. 5.31	K.Nakada
△	ALL	1BE0006 誤記訂正	'20. 6.23	K.Nakada



△ 注1) AIR INLET, EXH.は *1 の範囲で固定されています
 △ NOTE:1) AIR INLET & EXH. port are fixed in the range of *1.

CF-X15AS	THIRD ANG. PROJ.	DWG.NO.
SCALE Free		1E00166YP-B
CF-X15AH	THIRD ANG. PROJ.	DWG.NO.
SCALE Free		1E00165YP-B
CF-X15AT	THIRD ANG. PROJ.	DWG.NO.
SCALE Free		1E00164YP-B
CF-X15AN	THIRD ANG. PROJ.	DWG.NO.
SCALE Free		1E00163YP-B

APP'D BY '20. 8.18 S.Murata
 CHECKED BY '20. 8.18 K.Nakano
 DRAWN BY '20. 8.18 K.Nakada

THE DWG. OF:
 ダンパアセンブリ
 DAMPER ASSEMBLY
 CF-X15AC
 THIRD ANG. PROJ. DWG.NO.
 SCALE Free 1E00162YP-B

YTS Co., Ltd JAPAN