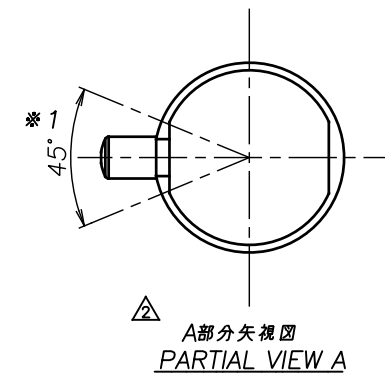
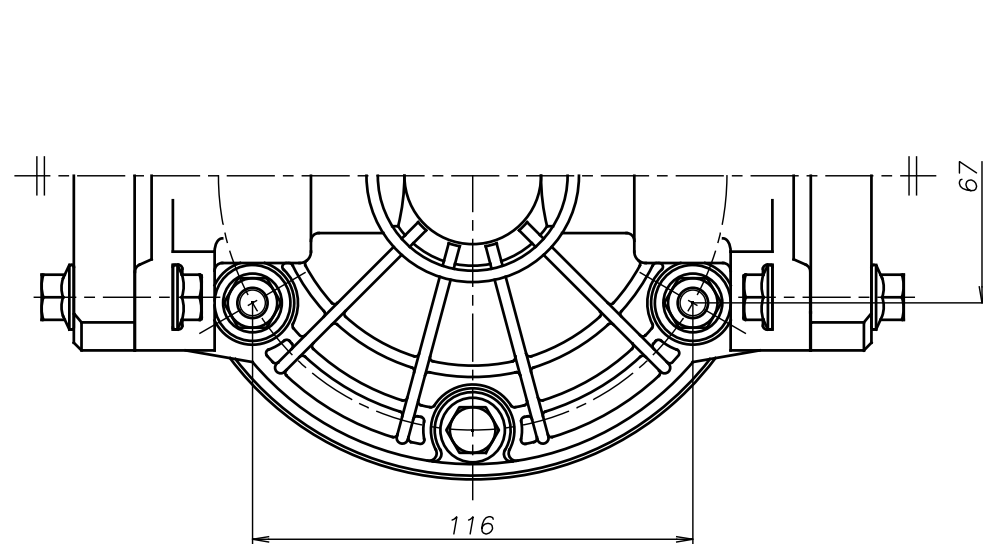
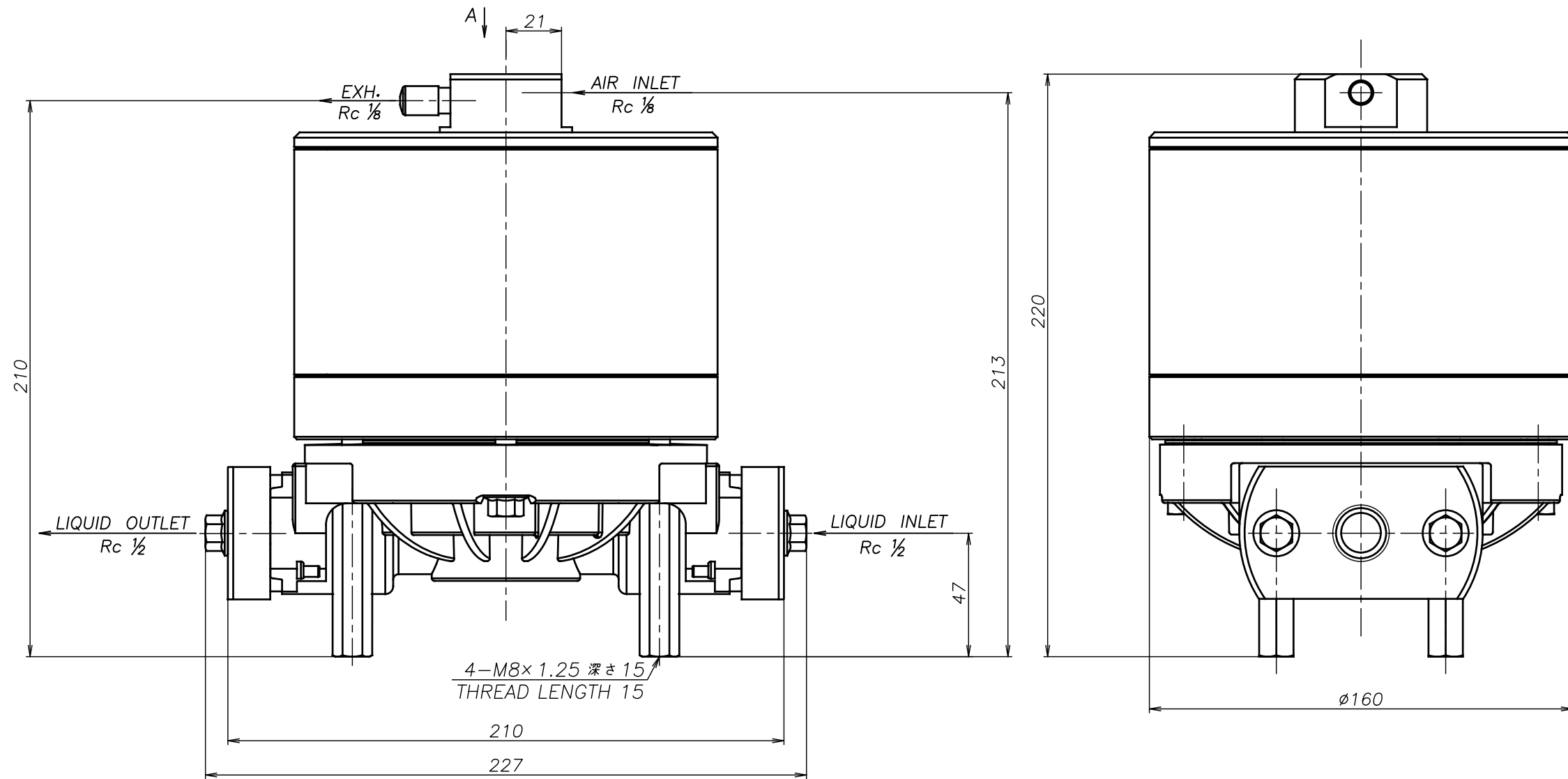


SYM	DWG.NO	CHANGE NO	DATE	REV'D BY
△	ALL	1E0037	'19. 5.31	K.Nakada
△	ALL	1BE0005	'19.10.28	K.Nakada
△	ALL	1BE0006 異記訂正	'20. 6.23	K.Nakada



△ 注1) AIR INLET, EXH.は *1 の範囲で固定されています
 △ NOTE:1) AIR INLET & EXH. port are fixed in the range of *1.

△CF-X15PS	THIRD ANG. PROJ.	DWG.NO.	1E00176YP-C
SCALE Free			
△CF-X15PH	THIRD ANG. PROJ.	DWG.NO.	1E00175YP-C
SCALE Free			
△CF-X15PT	THIRD ANG. PROJ.	DWG.NO.	1E00174YP-C
SCALE Free			
△CF-X15PN	THIRD ANG. PROJ.	DWG.NO.	1E00173YP-C
SCALE Free			
APP'D BY '20. 8.18 S.Murata	THE DWG. OF:		DAMPER ASSEMBLY
CHECKED BY '20. 8.18 K.Nakano			△CF-X15PC
DRAWN BY '20. 8.18 K.Nakada	THIRD ANG. PROJ.	DWG.NO.	1E00172YP-C
YTS Co., Ltd JAPAN	SCALE Free		