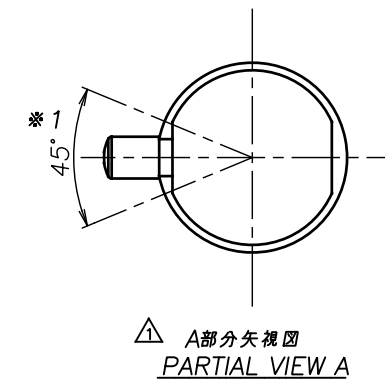
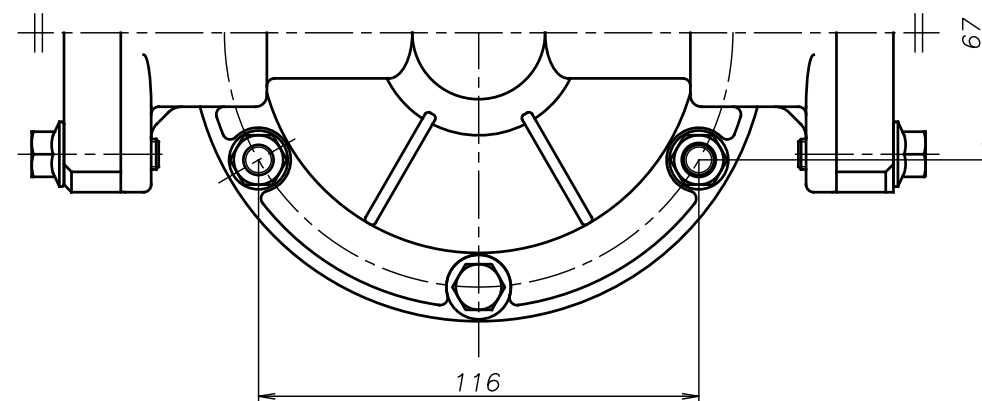
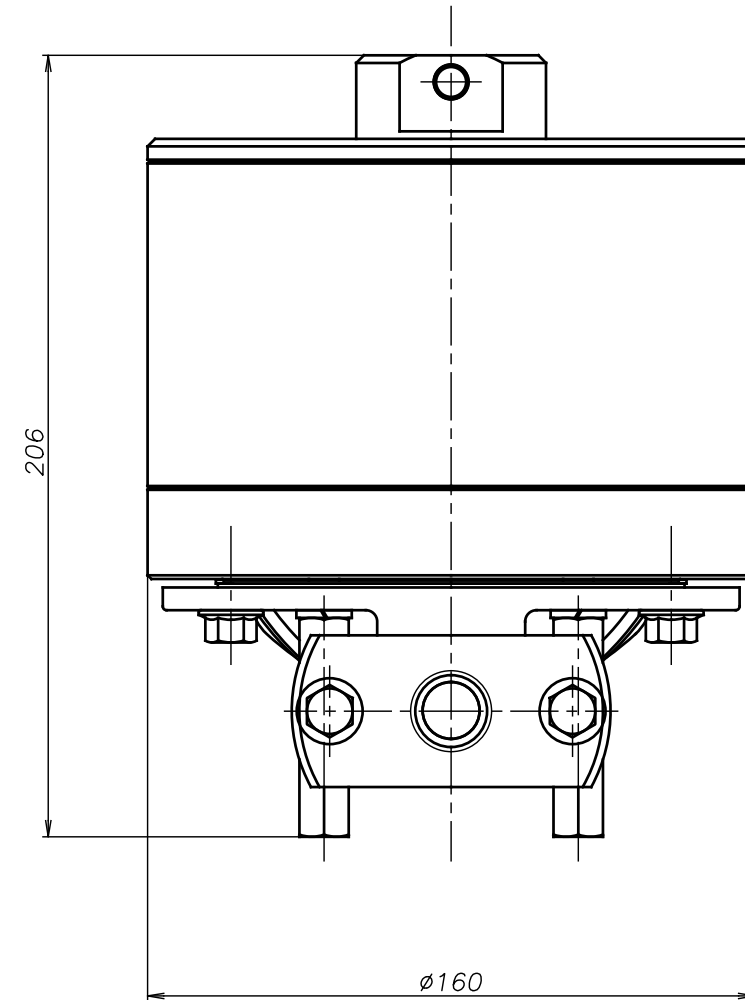
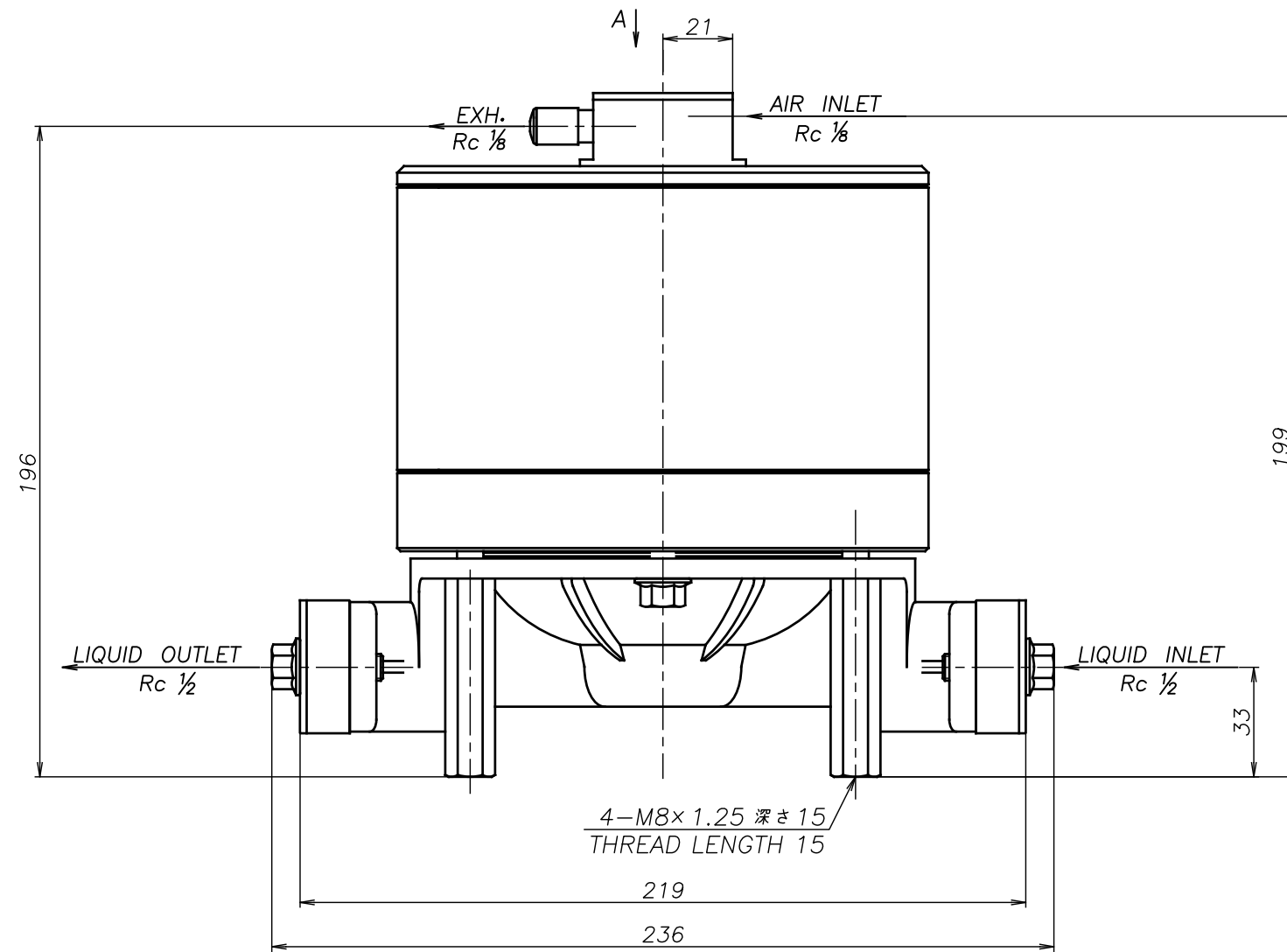


SYM	DWG.NO	CHANGE NO	DATE	REV'D BY
△	ALL	1EE0023	'16. 6.16	S.Murata
△	ALL	1BE0006 誤記訂正	'20. 6.23	K.Nakada



△ 注1) AIR INLET, EXH.は \*1 の範囲で固定されています  
 △ NOTE:1) AIR INLET & EXH. port are fixed in the range of \*1.

CF-X15SS	THIRD ANG. PROJ.	DWG.NO.
SCALE Free		1E00171YP-B
CF-X15SH	THIRD ANG. PROJ.	DWG.NO.
SCALE Free		1E00170YP-B
CF-X15ST	THIRD ANG. PROJ.	DWG.NO.
SCALE Free		1E00169YP-B
CF-X15SN	THIRD ANG. PROJ.	DWG.NO.
SCALE Free		1E00168YP-B

APP'D BY '20. 8.18 S.Murata  
 CHECKED BY '20. 8.18 K.Nakano  
 DRAWN BY '20. 8.18 K.Nakada

THE DWG. OF:  
 ダンパアセンブリ  
 DAMPER ASSEMBLY  
 CF-X15SC  
 THIRD ANG. PROJ. DWG.NO.  
 SCALE Free 1E00167YP-B

**YTS** Co., Ltd JAPAN