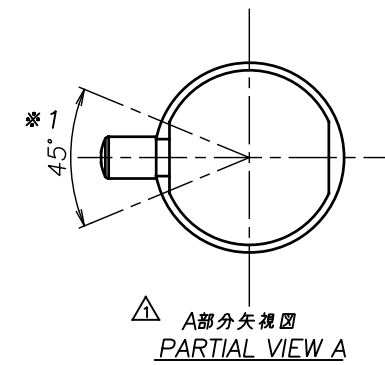
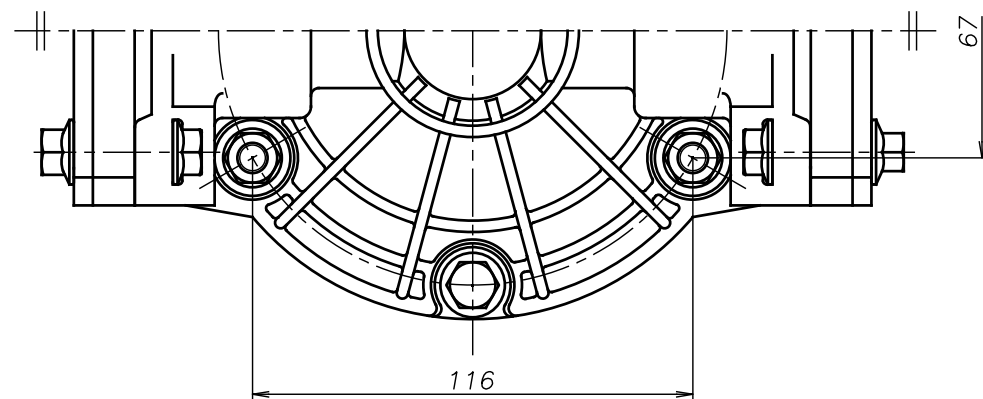
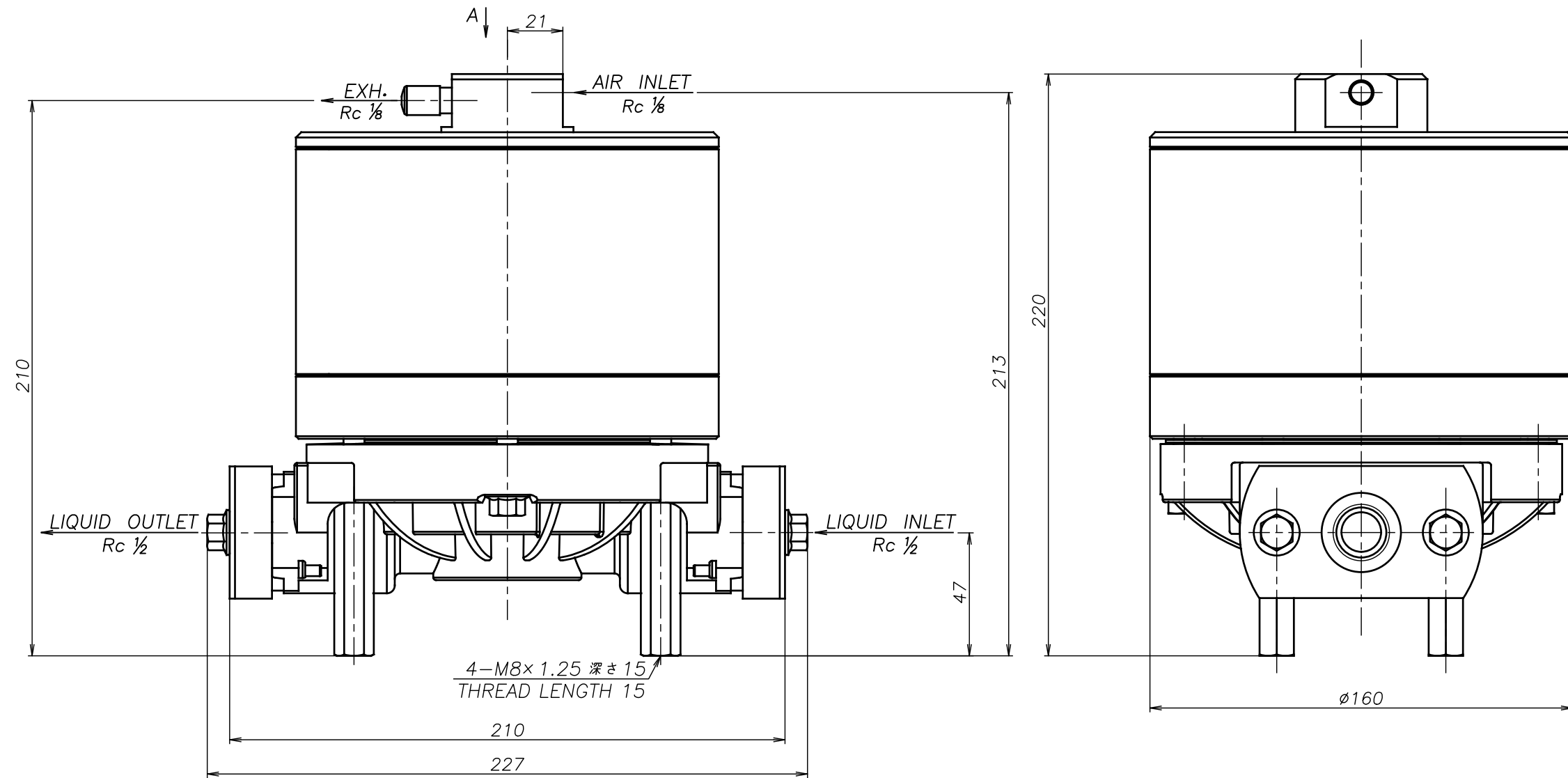


| SYM | DWG.NO | CHANGE NO | DATE | REV'D BY |
|-----|--------|--------------|-----------|----------|
| △ | ALL | 1EE0023 | '16. 6.16 | S.Murata |
| △ | ALL | 1BE0006 誤記訂正 | '20. 6.23 | K.Nakada |



△ 注1) AIR INLET, EXH.は *1 の範囲で固定されています
 △ NOTE:1) AIR INLET & EXH. port are fixed in the range of *1.

APP'D BY '20. 8.18 S.Murata
 CHECKED BY '20. 8.18 K.Nakano
 DRAWN BY '20. 8.18 K.Nakada

YTS Co., Ltd JAPAN

| | | |
|---------------------------|---------|-------------|
| CF-X15VS | DWG.NO. | 1E00178YP-B |
| THIRD ANG. PROJ. | SCALE | Free |
| THE DWG. OF: ダンパ アセンブリ | | |
| DAMPER ASSEMBLY | | |
| CF-X15VT | | |
| THIRD ANG. PROJ. | DWG.NO. | 1E00177YP-B |
| SCALE | Free | |