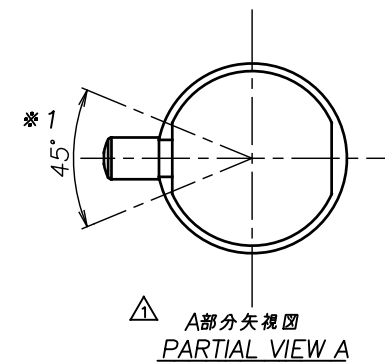
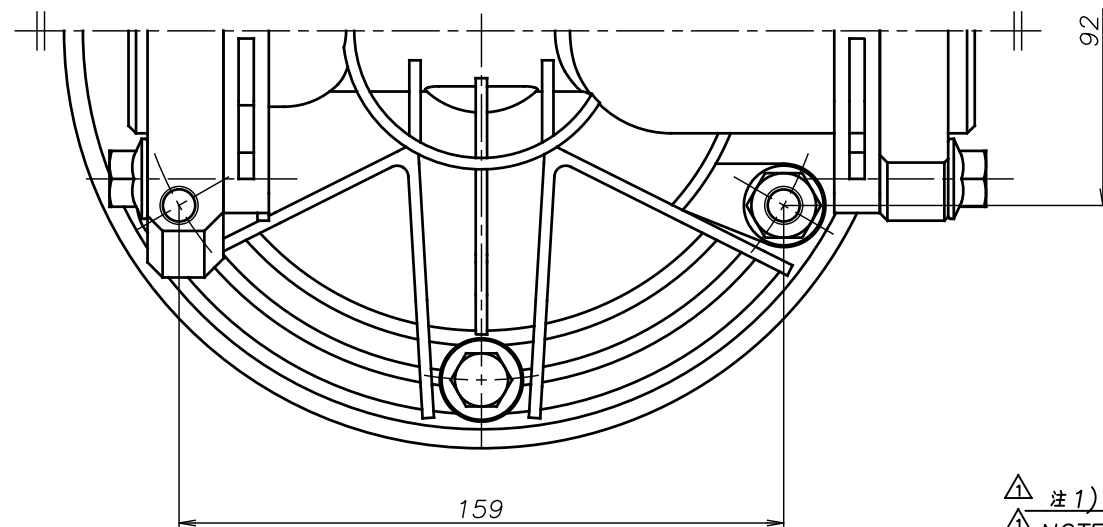
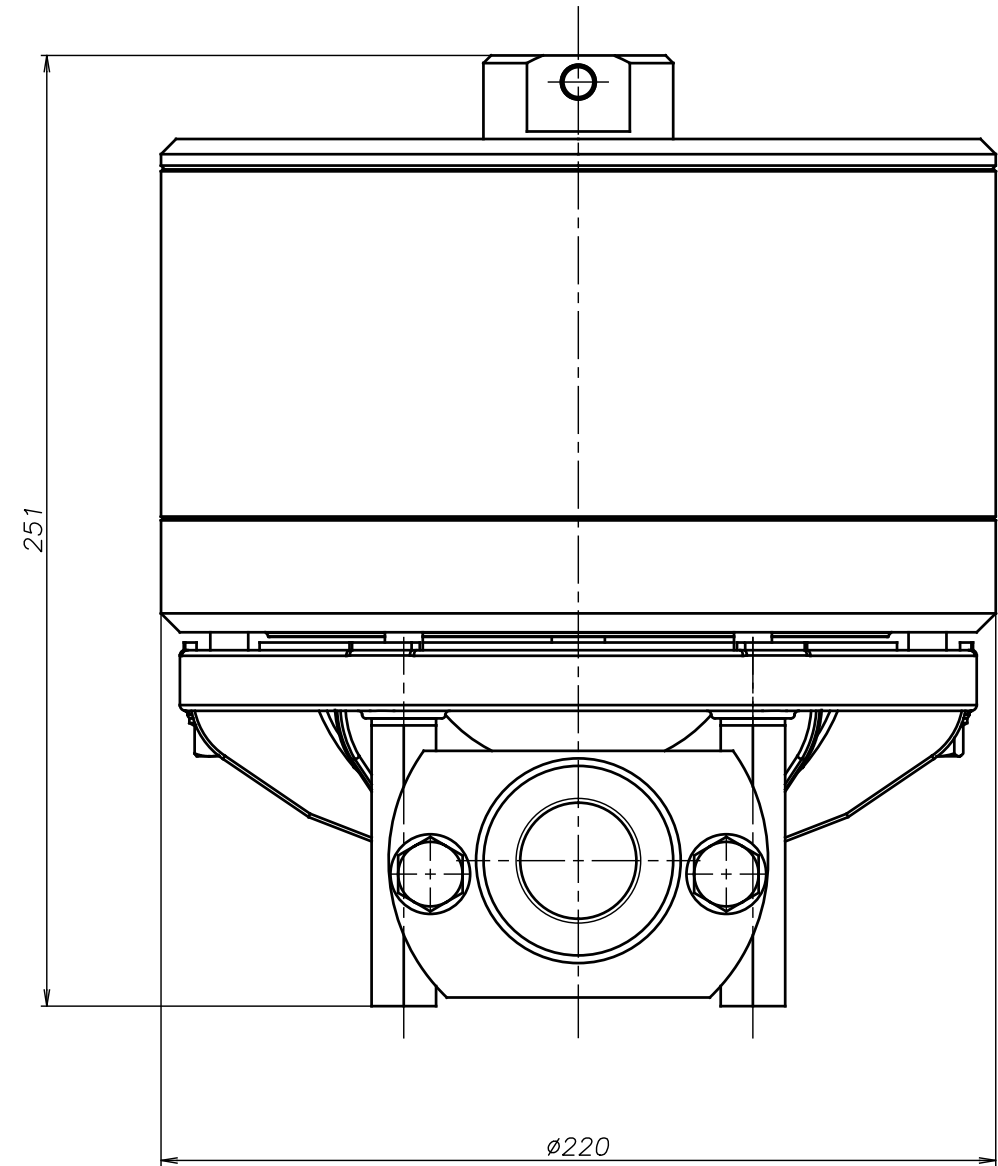
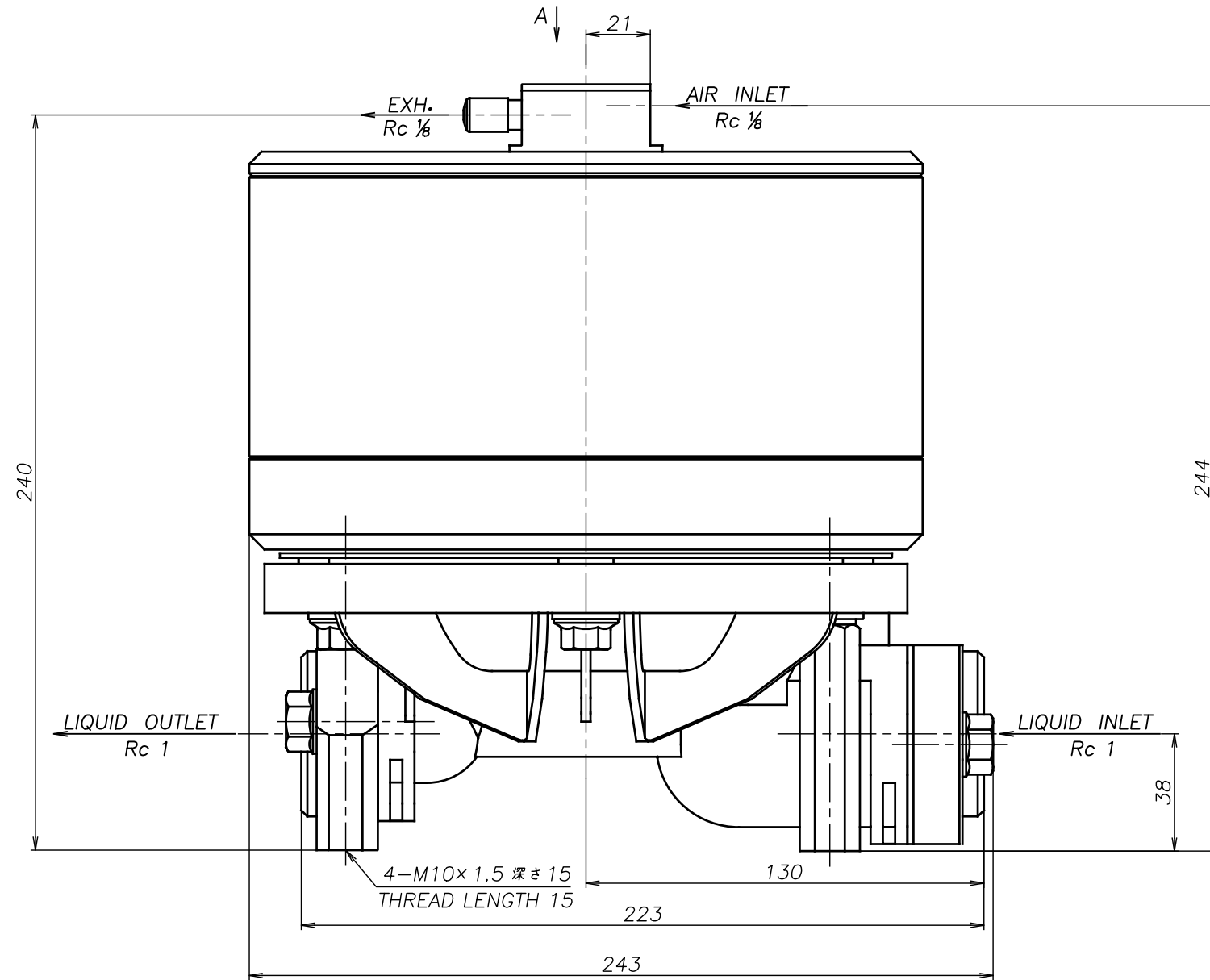


SYM	DWG.NO	CHANGE NO	DATE	REV'D BY
△	ALL	1HE0024	'16. 6.16	S.Murata
△	ALL	1BE0006 誤記訂正	'20. 6.23	K.Nakada



△ 注1) AIR INLET, EXH.は *1 の範囲で固定されています
 △ NOTE:1) AIR INLET & EXH. port are fixed in the range of *1.

CF-X25AS	THIRD ANG. PROJ.	DWG.NO.
	SCALE	Free 1H00332YP-B
CF-X25AH	THIRD ANG. PROJ.	DWG.NO.
	SCALE	Free 1H00331YP-B
CF-X25AT	THIRD ANG. PROJ.	DWG.NO.
	SCALE	Free 1H00330YP-B
CF-X25AV	THIRD ANG. PROJ.	DWG.NO.
	SCALE	Free 1H00329YP-B
CF-X25AE	THIRD ANG. PROJ.	DWG.NO.
	SCALE	Free 1H00328YP-B
CF-X25AN	THIRD ANG. PROJ.	DWG.NO.
	SCALE	Free 1H00327YP-B

APP'D BY '20. 8.18 S.Murata
 CHECKED BY '20. 8.18 K.Nakano
 DRAWN BY '20. 8.18 K.Nakada

THE DWG. OF:
 ダンパーアセンブリ
 DAMPER ASSEMBLY
 CF-X25AC
 THIRD ANG. PROJ. DWG.NO.
 SCALE Free 1H00326YP-B

YTS Co., Ltd JAPAN