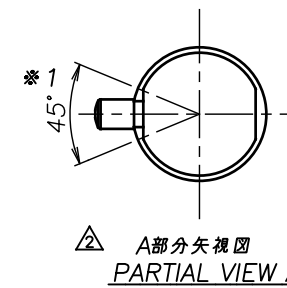
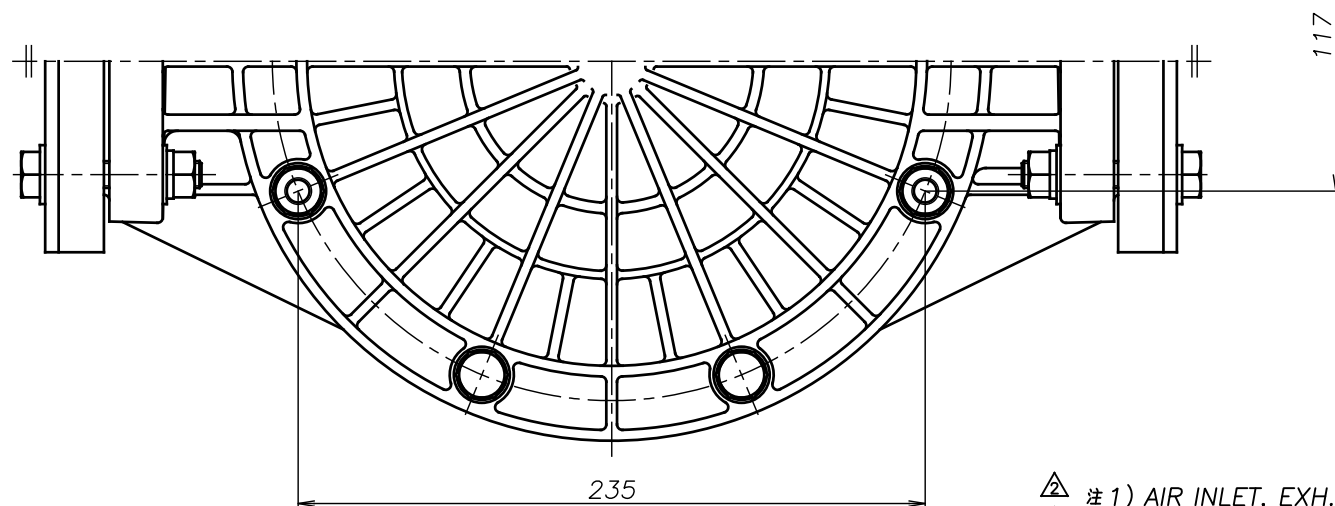
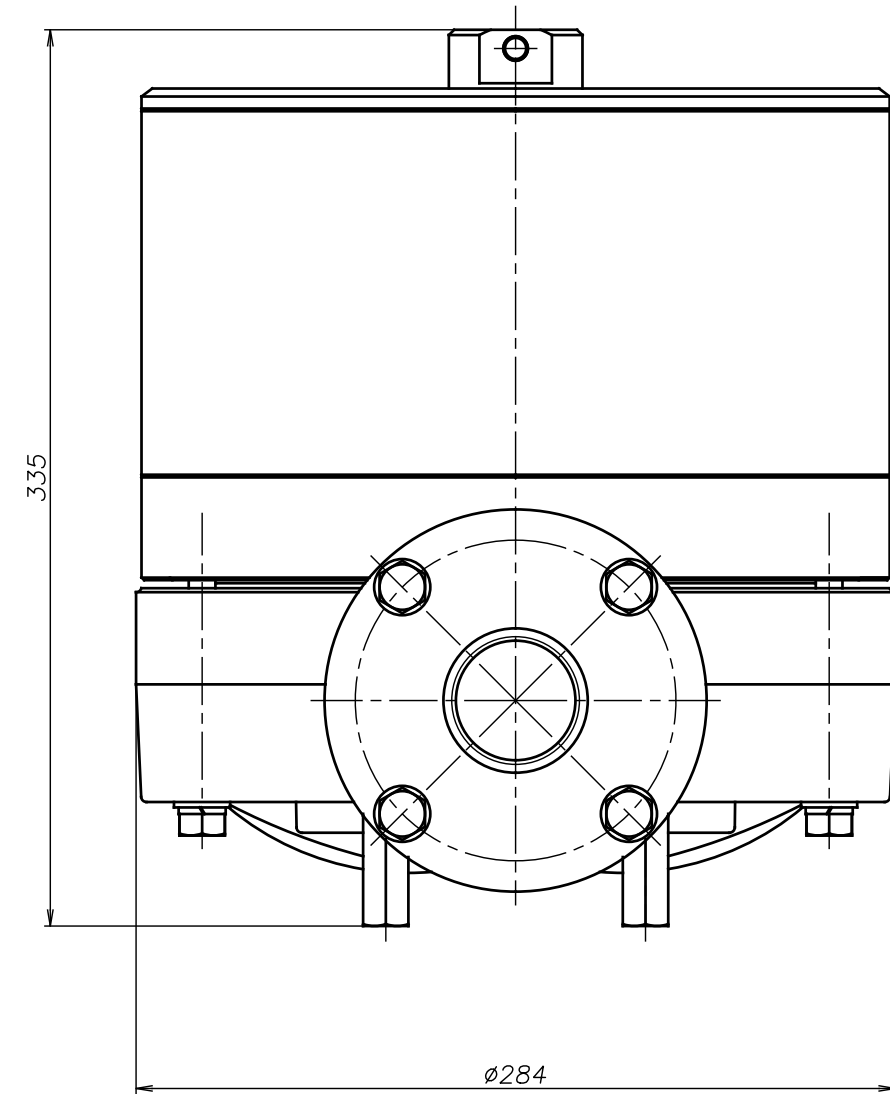
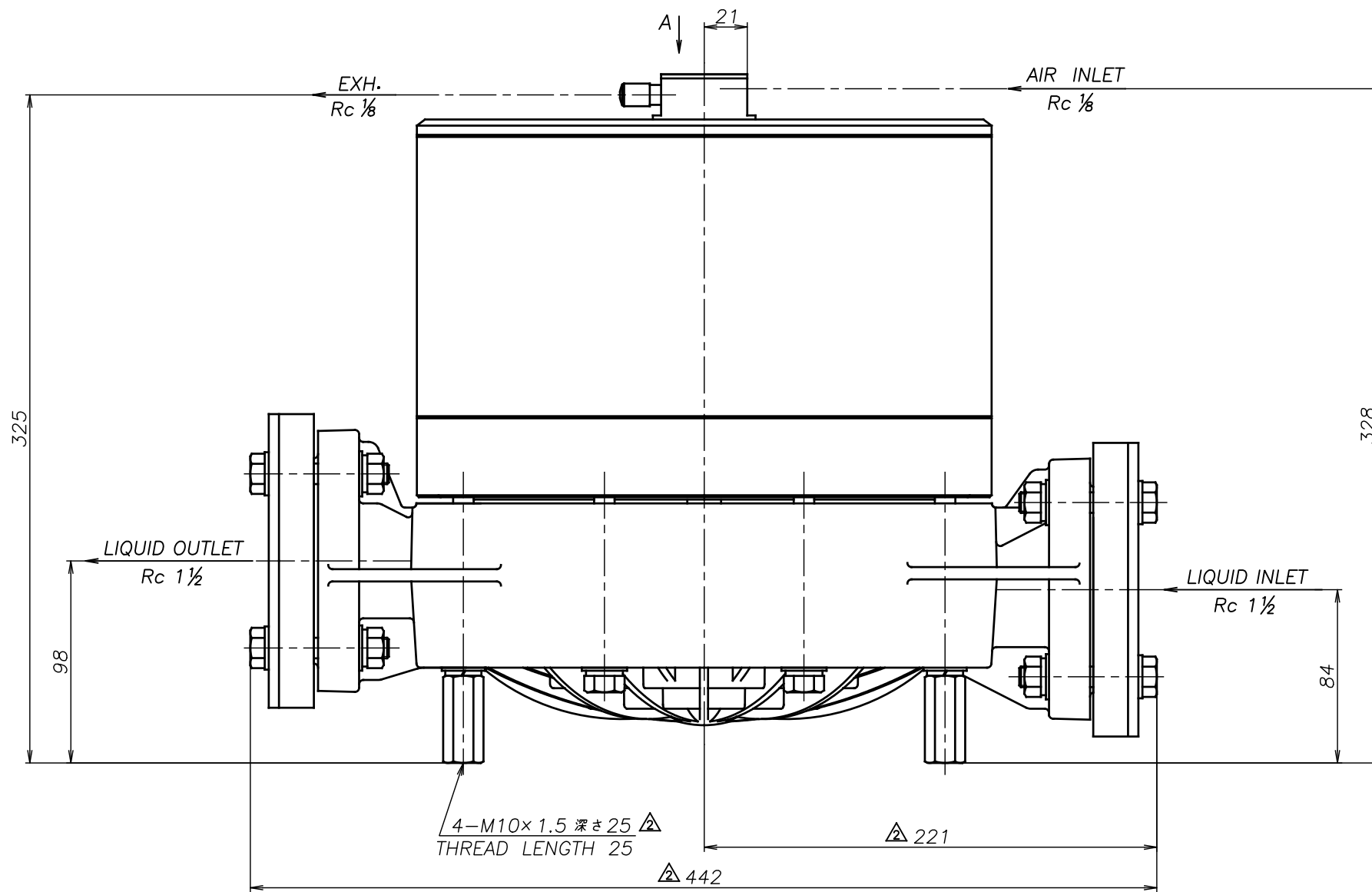


SYM	DWG.NO	CHANGE NO	DATE	REV'D BY
△	ALL	1LE0035	'18. 9. 3	K.Nakada
△	ALL	1BE0005	'19.10.28	K.Nakada
△	ALL	1BE0006 異記訂正	'20. 6.23	K.Nakada



△ 注1) AIR INLET, EXH.は *1 の範囲で固定されています
△ NOTE:1) AIR INLET & EXH. port are fixed in the range of *1.

△CF-X40GS	THIRD ANG. PROJ.	DWG.NO.
	SCALE Free	1L00357YP-C
△CF-X40GH	THIRD ANG. PROJ.	DWG.NO.
	SCALE Free	1L00356YP-C
△CF-X40GT	THIRD ANG. PROJ.	DWG.NO.
	SCALE Free	1L00355YP-C
△CF-X40GV	THIRD ANG. PROJ.	DWG.NO.
	SCALE Free	1L00354YP-C
△CF-X40GE	THIRD ANG. PROJ.	DWG.NO.
	SCALE Free	1L00353YP-C
△CF-X40GN	THIRD ANG. PROJ.	DWG.NO.
	SCALE Free	1L00352YP-C

APP'D BY '20. 8.18 S.Murata
CHECKED BY '20. 8.18 K.Nakano
DRAWN BY '20. 8.18 K.Nakada

THE DWG. OF:
ダンパアセンブリ
DAMPER ASSEMBLY
△CF-X40GC
THIRD ANG. PROJ. DWG.NO.
SCALE Free 1L00351YP-C

YTS Co., Ltd JAPAN