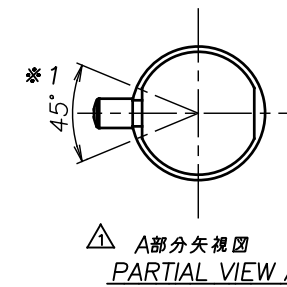
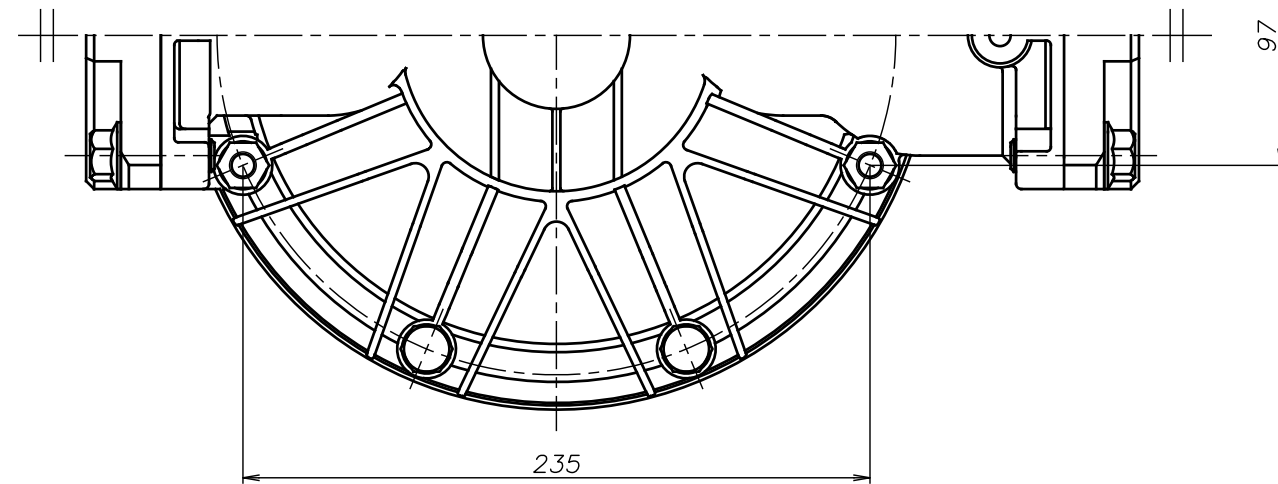
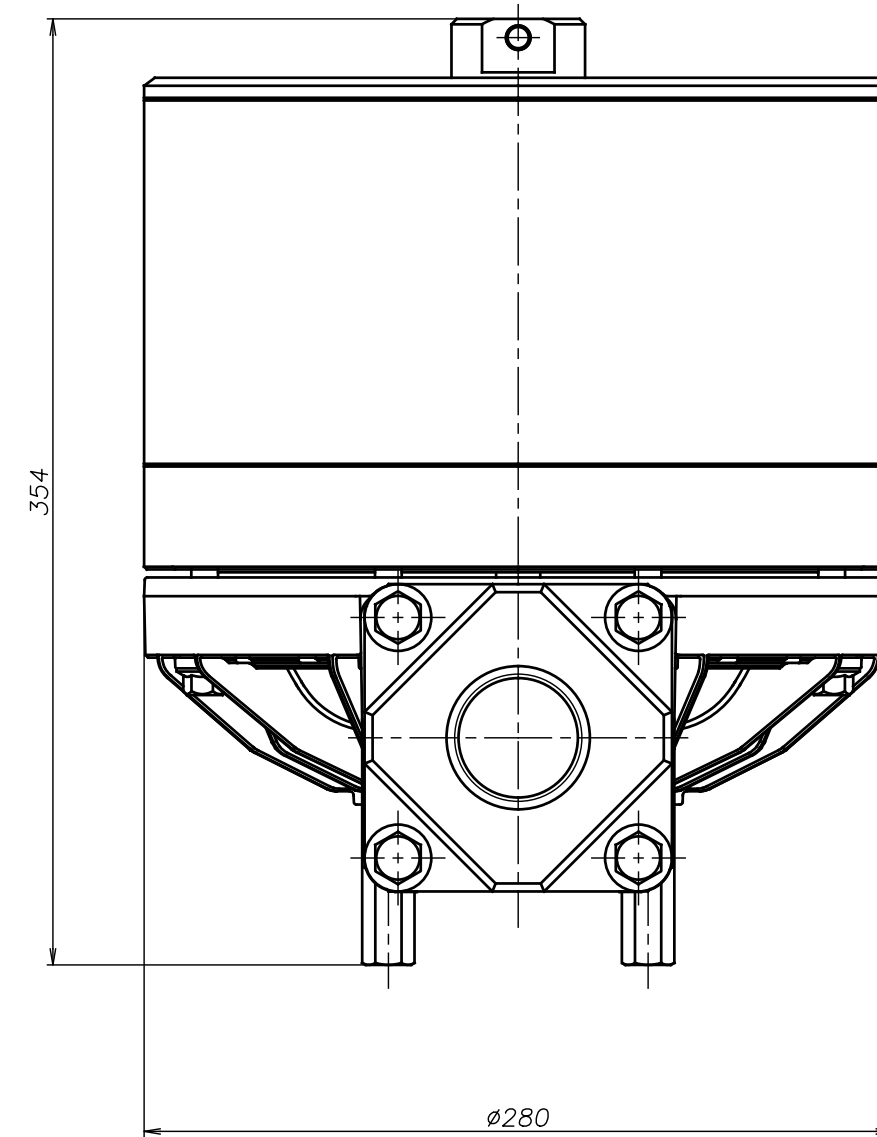
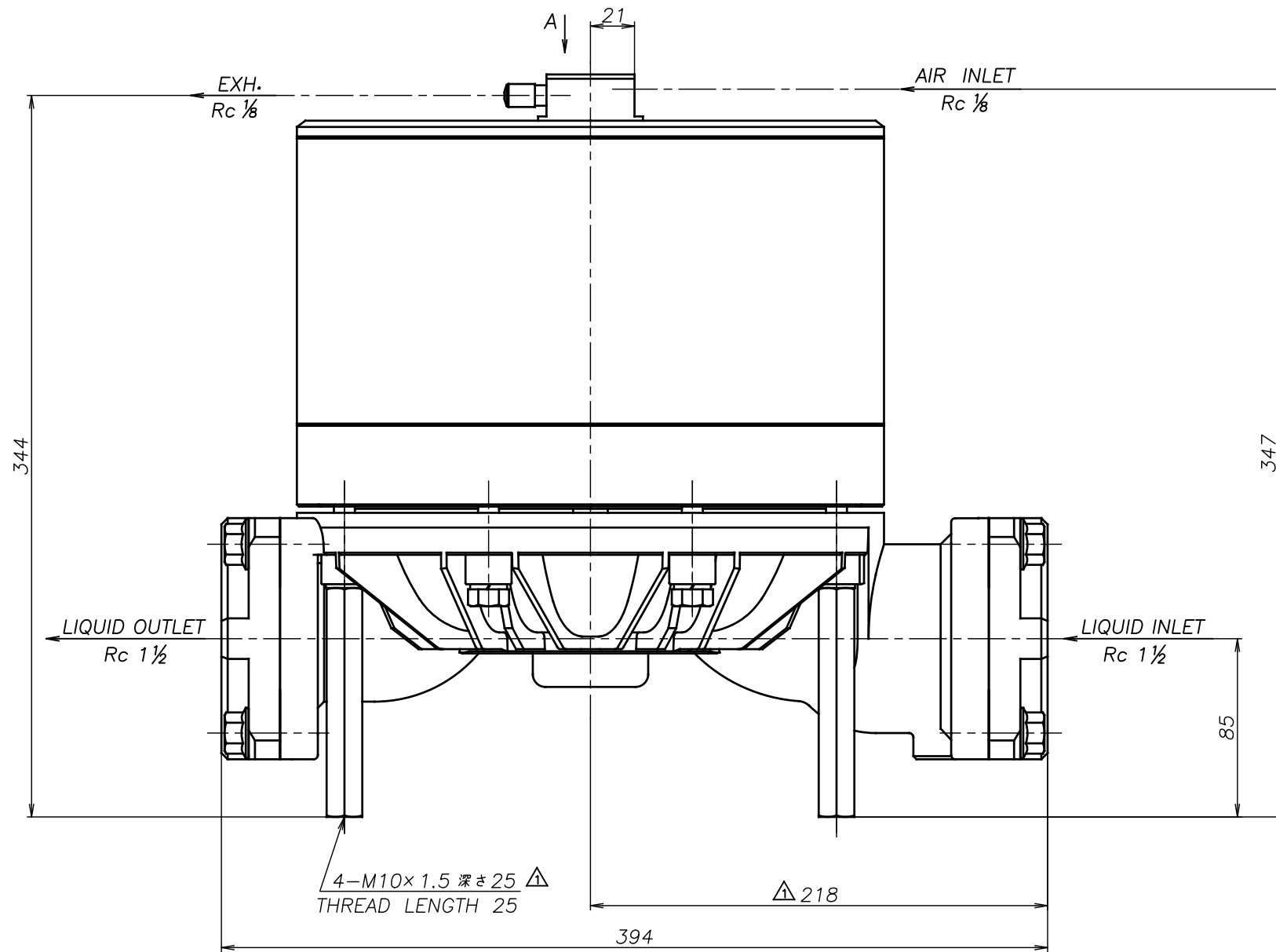


SYM	DWG.NO	CHANGE NO	DATE	REV'D BY
△	ALL	1LE0035	'18. 9. 3	K.Nakada
△	ALL	1BE0006 誤記訂正	'20. 6. 23	K.Nakada



△ 注1) AIR INLET, EXH.は *1 の範囲で固定されています
 △ NOTE:1) AIR INLET & EXH. port are fixed in the range of *1.

CF-X40SS	THIRD ANG. PROJ.	DWG.NO.
	SCALE Free	1L00350YP-B
CF-X40SH	THIRD ANG. PROJ.	DWG.NO.
	SCALE Free	1L00349YP-B
CF-X40ST	THIRD ANG. PROJ.	DWG.NO.
	SCALE Free	1L00348YP-B
CF-X40SV	THIRD ANG. PROJ.	DWG.NO.
	SCALE Free	1L00347YP-B
CF-X40SE	THIRD ANG. PROJ.	DWG.NO.
	SCALE Free	1L00346YP-B
CF-X40SN	THIRD ANG. PROJ.	DWG.NO.
	SCALE Free	1L00345YP-B

APP'D BY '20. 8. 18 S.Murata
 CHECKED BY '20. 8. 18 K.Nakano
 DRAWN BY '20. 8. 18 K.Nakada

THE DWG. OF:
 ダンパアセンブリ
 DAMPER ASSEMBLY
 CF-X40SC
 THIRD ANG. PROJ. DWG.NO.
 SCALE Free 1L00344YP-B

YTS Co., Ltd JAPAN