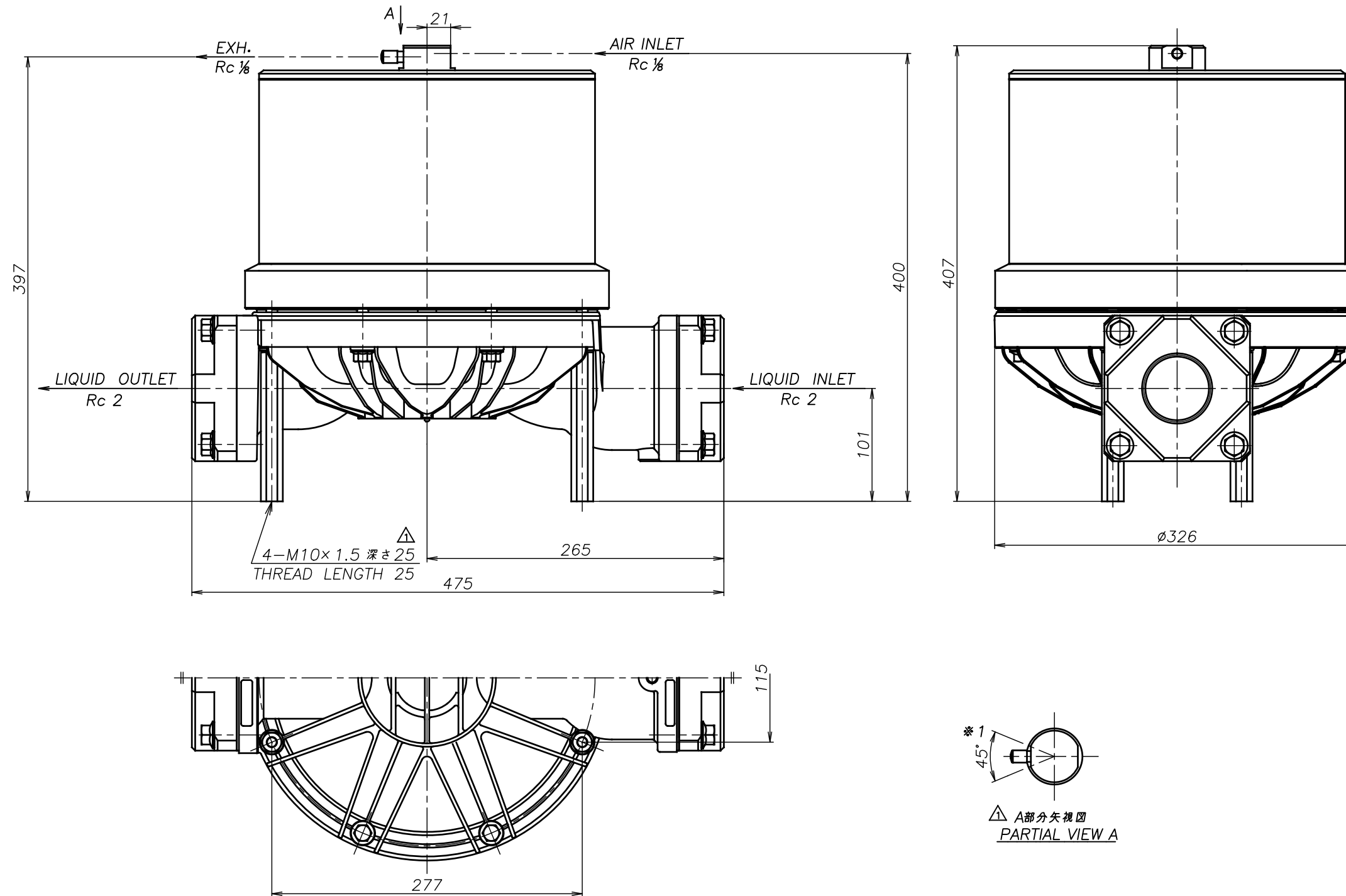


SYM	DWG.NO	CHANGE NO	DATE	REV'D BY
△	ALL	1ME0008	'16. 6.16	S.Murata
△	ALL	1BE0006 誤記訂正	'20. 6.23	K.Nakada



△ 注1) AIR INLET, EXH.は ※1 の範囲で固定されています
 △ NOTE:1) AIR INLET & EXH. port are fixed in the range of ※1.

CF-X50AS	THIRD ANG. PROJ.	DWG.NO.
	SCALE	Free 1M00284YP-B
CF-X50AH	THIRD ANG. PROJ.	DWG.NO.
	SCALE	Free 1M00283YP-B
CF-X50AT	THIRD ANG. PROJ.	DWG.NO.
	SCALE	Free 1M00282YP-B
CF-X50AV	THIRD ANG. PROJ.	DWG.NO.
	SCALE	Free 1M00281YP-B
CF-X50AE	THIRD ANG. PROJ.	DWG.NO.
	SCALE	Free 1M00280YP-B
CF-X50AN	THIRD ANG. PROJ.	DWG.NO.
	SCALE	Free 1M00279YP-B

APP'D BY '20. 8.18 S.Murata
 CHECKED BY '20. 8.18 K.Nakano
 DRAWN BY '20. 8.18 K.Nakada

THE DWG. OF:
 ダンパアセンブリ
 DAMPER ASSEMBLY
 CF-X50AC
 THIRD ANG. PROJ. DWG.NO.
 SCALE Free 1M00278YP-B

YTS Co., Ltd JAPAN