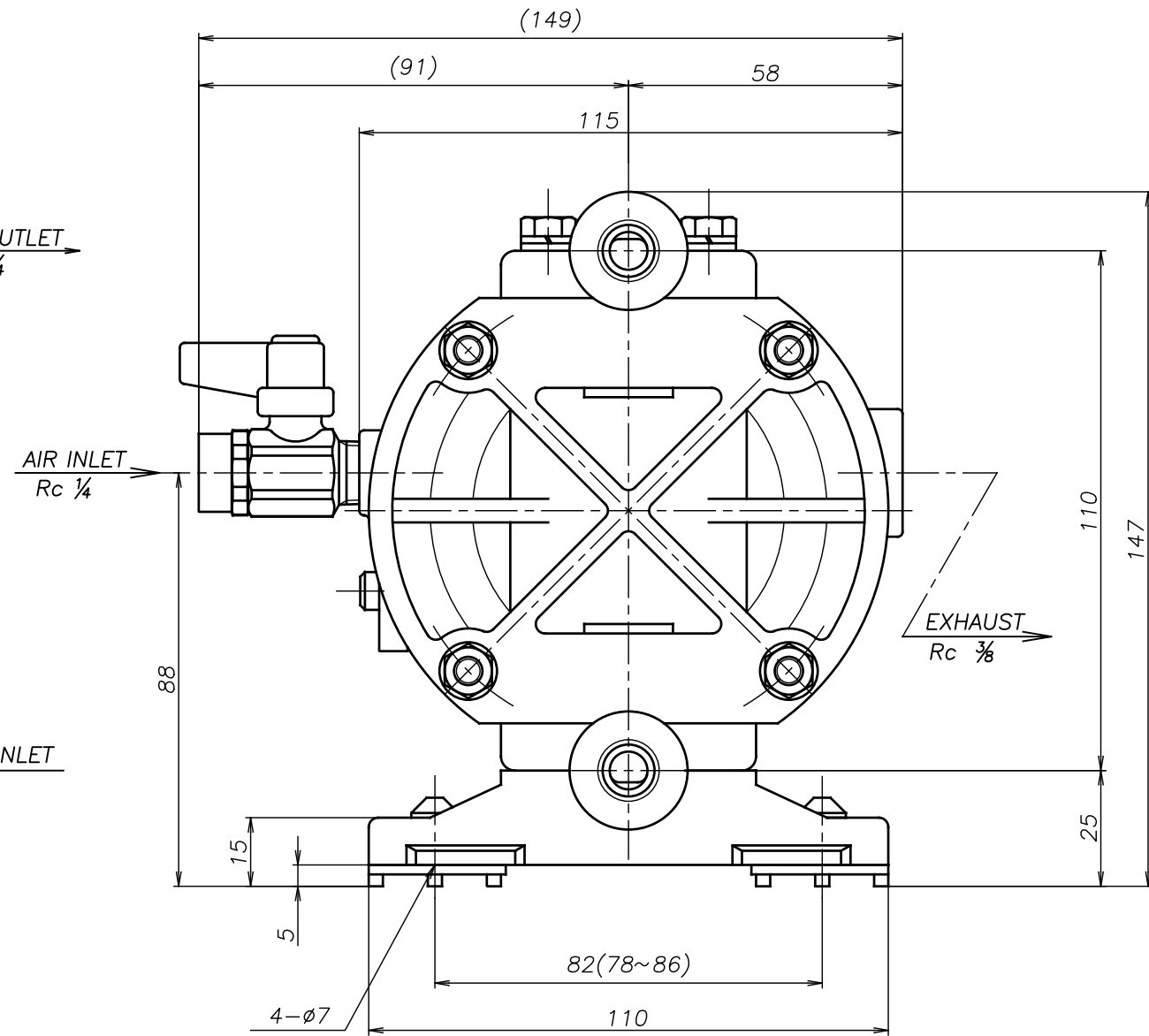
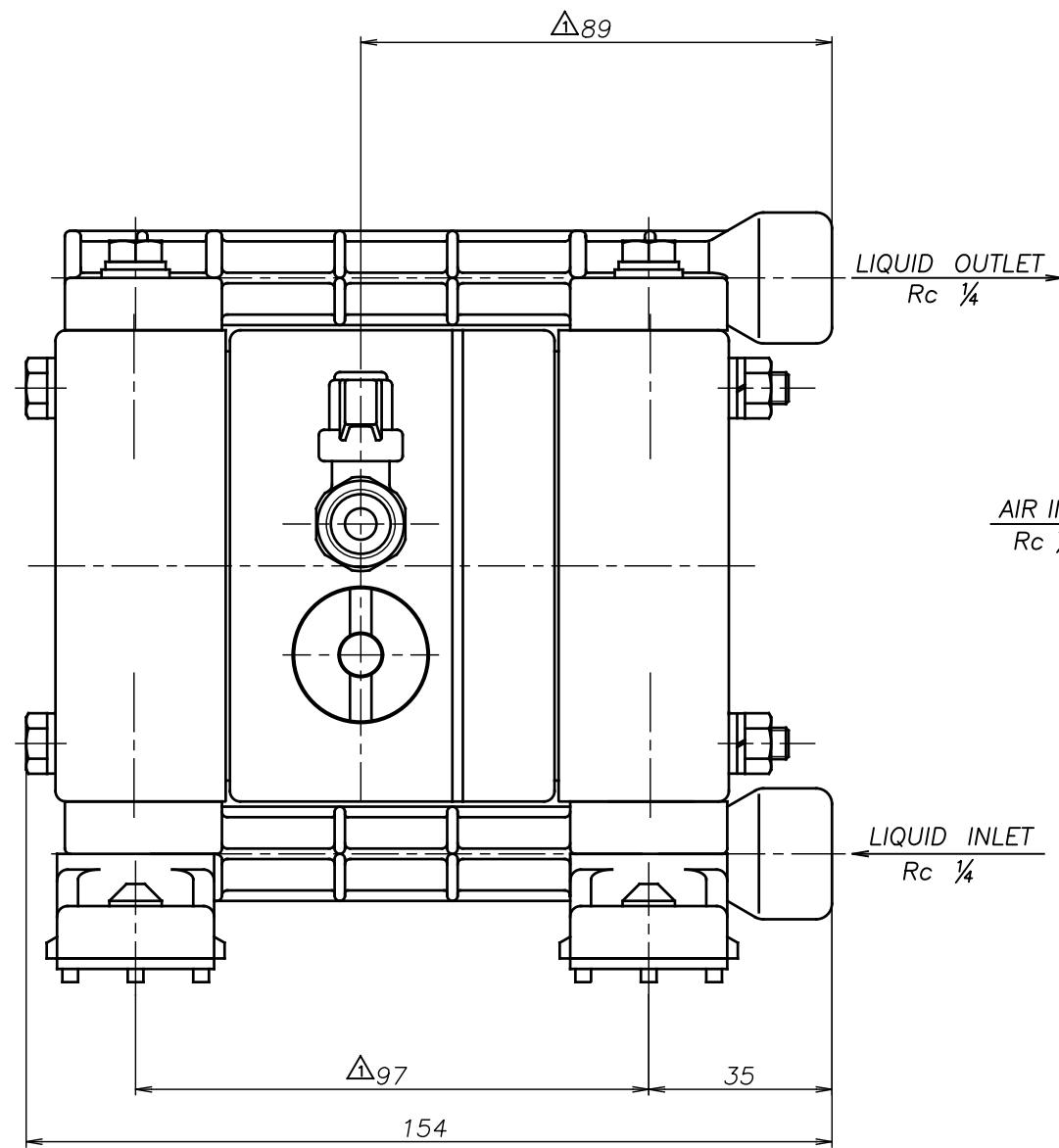


SYM	DWG.NO	CHANGE NO	DATE	REV'D BY
△	1B00003YP-A	1BE0003	'15. 4. 8	K.Nakada
△	1B00003YP-B	1CE0030	'18. 3.19	K.Nakada
△	1B00003YP-C	1BE0006 異記訂正	'20. 6.23	K.Nakada



APP'D BY	'20. 8.18 S.Murata	THE DWG. OF:	ダイアフラムポンプアセンブリ
CHECKED BY	'20. 8.18 K.Nakano	DIAPHRAGM PUMP ASSEMBLY	
DRAWN BY	'20. 8.18 K.Nakada	TC-X030 VT	
YTS Co., Ltd JAPAN		THIRD ANG. PROJ.	DWG.NO.
		SCALE Free	1B00003YP-C