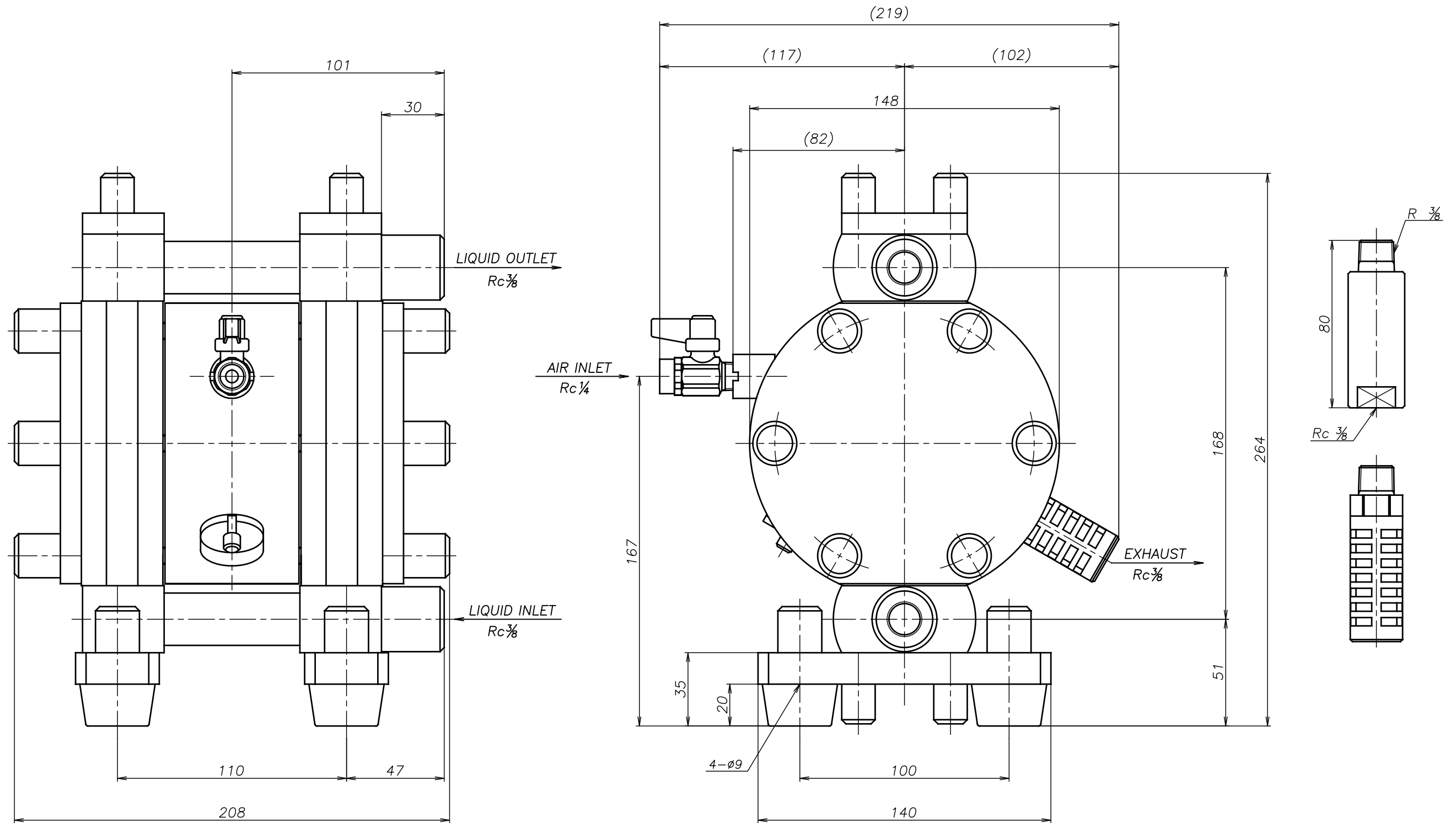


SYM	DWG.NO	CHANGE NO	DATE	REV'D BY
△	ALL	1DE0006	'15. 8.27	K.Nakada
△	ALL	1BE0005	'19.10.28	K.Nakada



△TC-X100HT-X	
THIRD ANG. PROJ.	DWG.NO.
SCALE Free	1D00080YP-B
THE DWG. OF:	
ダイアフラムポンプアセンブリ	
DIAPHRAGM PUMP ASSEMBLY	
△TC-X100HT	
THIRD ANG. PROJ.	DWG.NO.
SCALE Free	1D00078YP-B

APP'D BY '19.10.28 S.Murata
 CHECKED BY '19.10.28 K.Nakano
 DRAWN BY '19.10.28 K.Nakada

YTS Co., Ltd JAPAN