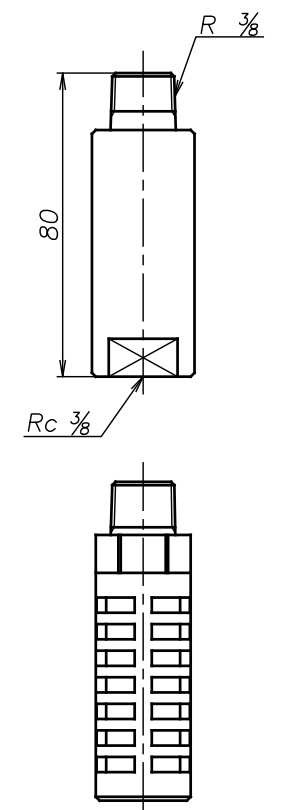
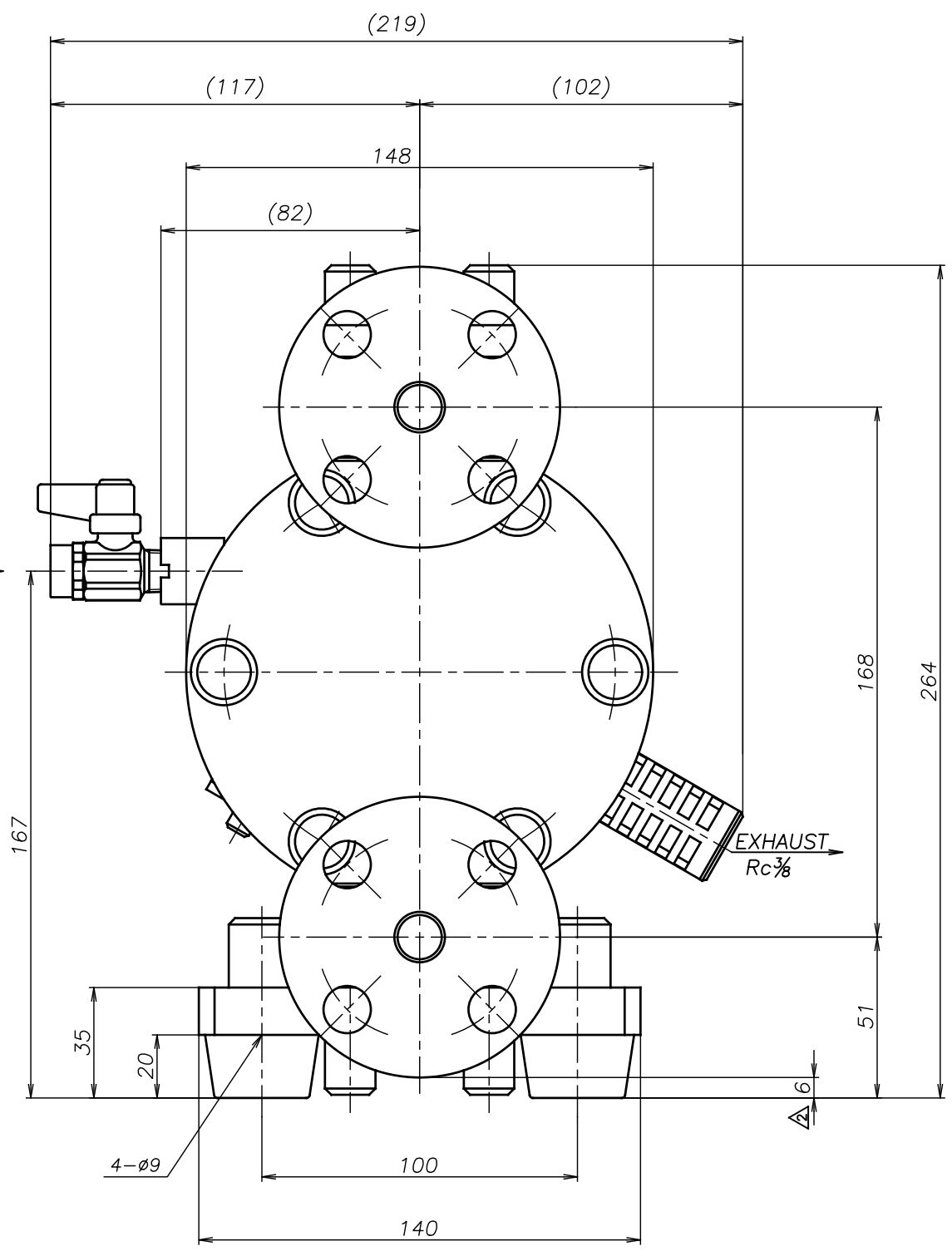
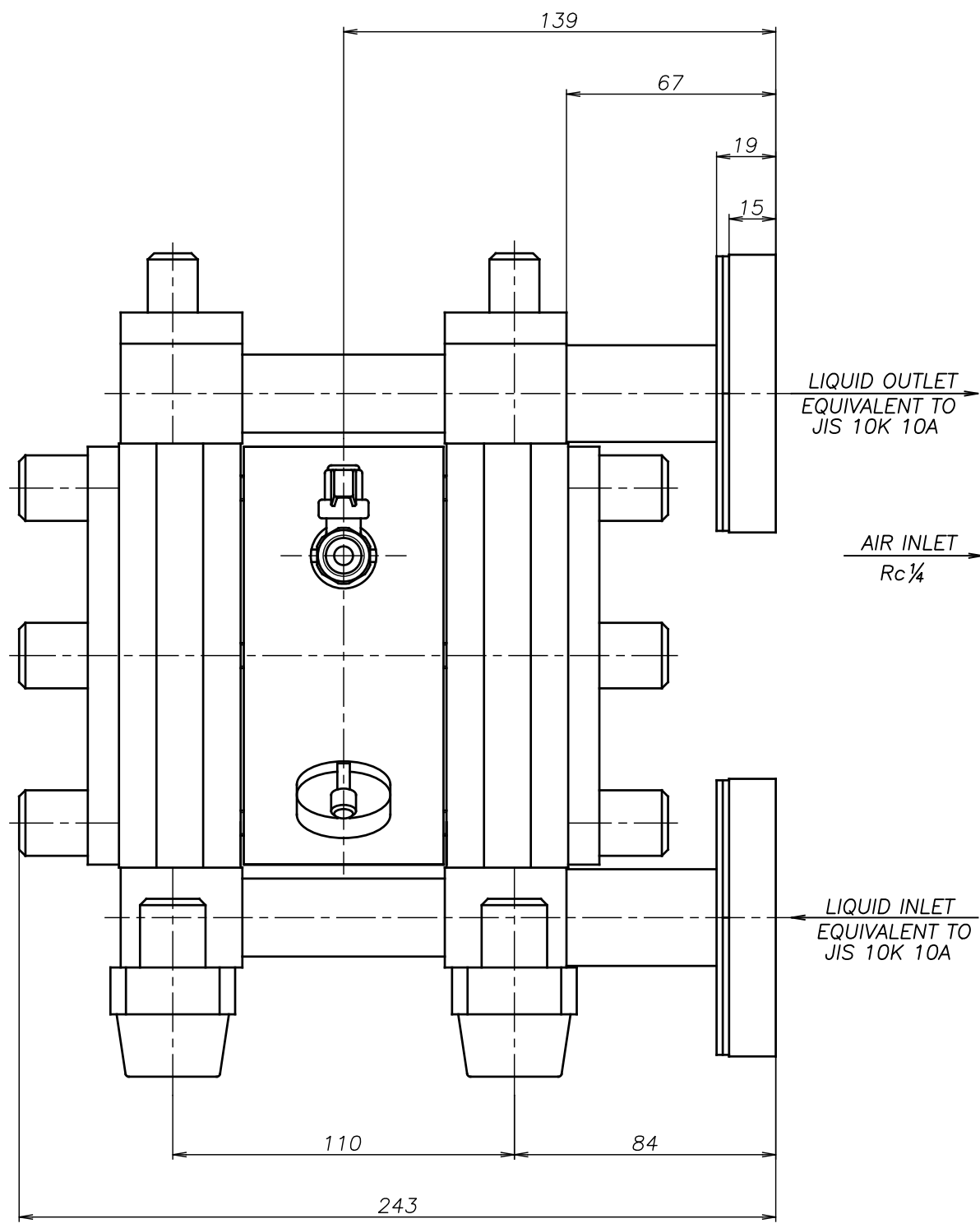


SYM	DWG.NO	CHANGE NO	DATE	REV'D BY
△	ALL	1DE0006	'15. 8.27	K.Nakada
△	ALL	1BE0005	'19.10.28	K.Nakada
△	ALL	1BE0006 異記訂正	'20. 6.23	K.Nakada



APP'D BY '20. 8.18 S.Murata  
 CHECKED BY '20. 8.18 K.Nakano  
 DRAWN BY '20. 8.18 K.Nakada  
**YTS** Co., Ltd JAPAN

△TC-X100HTJ-X	
THIRD ANG. PROJ.	DWG.NO.
SCALE Free	1D00081YP-C
THE DWG. OF: ダイヤフラムポンプアセンブリ	
DIAPHRAGM PUMP ASSEMBLY	
△TC-X100HTJ	
THIRD ANG. PROJ.	DWG.NO.
SCALE Free	1D00079YP-C