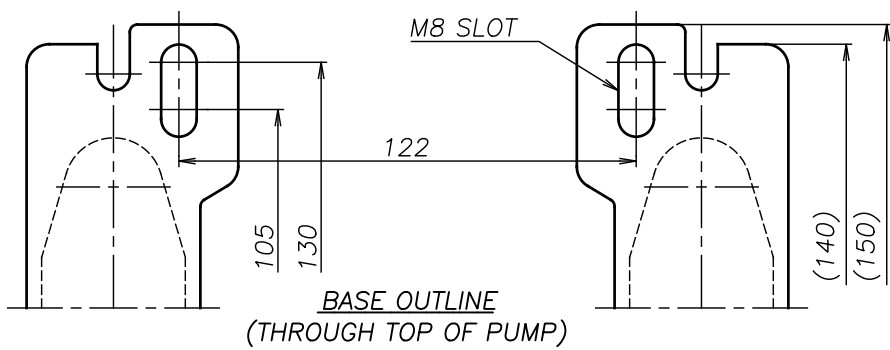
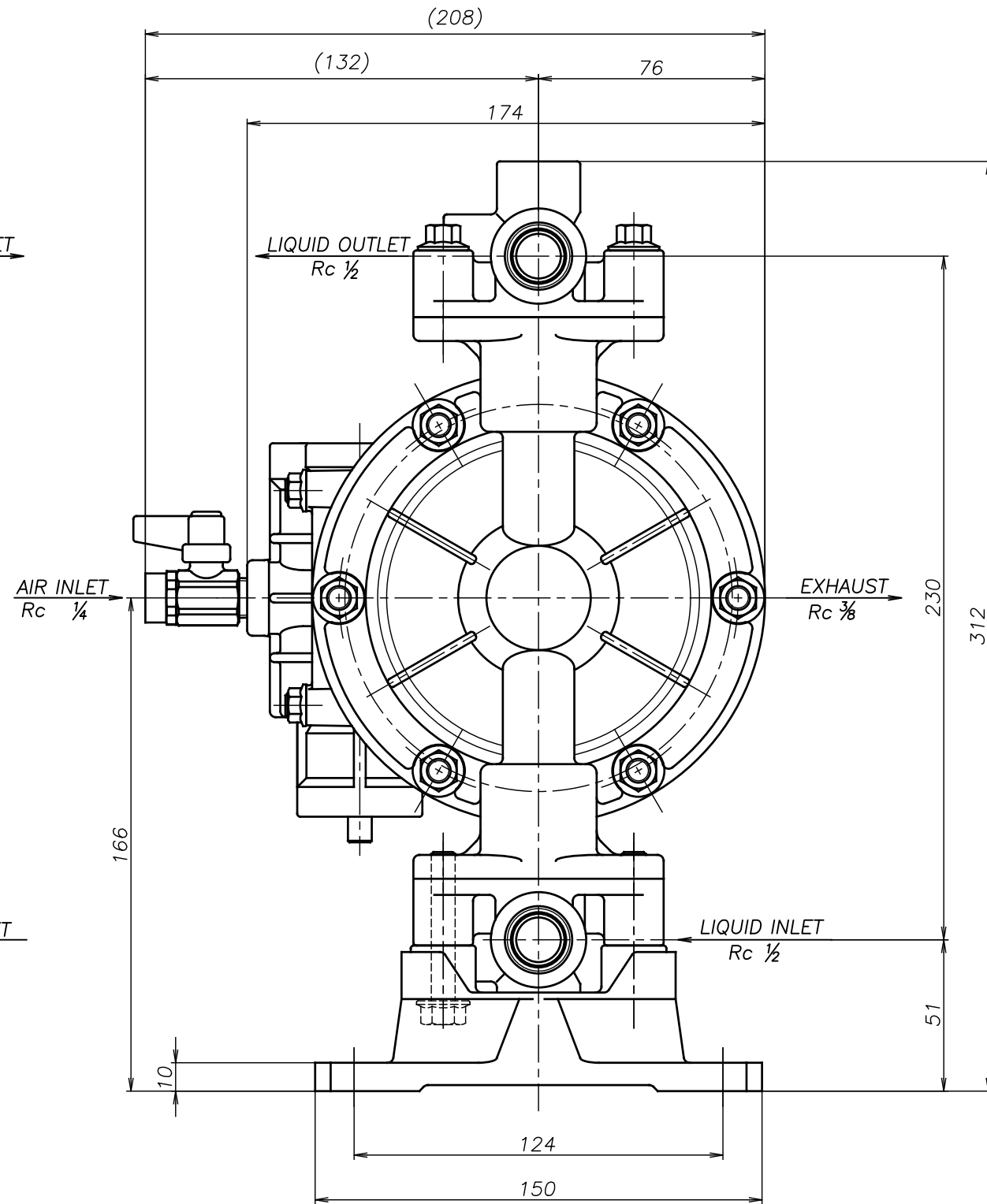
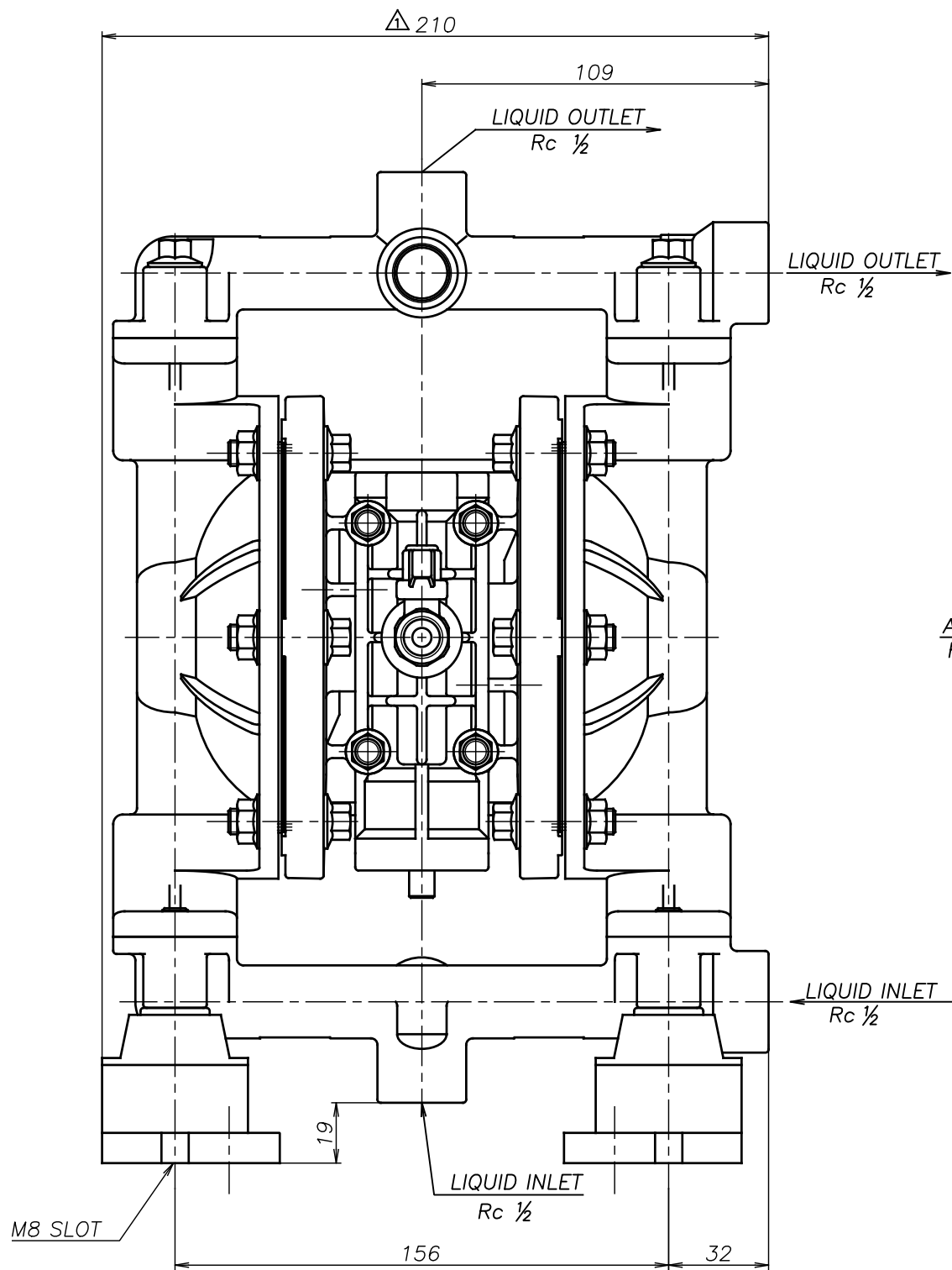


SYM	DWG.NO	CHANGE NO	DATE	REV'D BY
△	ALL	1E00015	'14. 4. 8	K.Nakada
△	ALL	1BE0006 誤記訂正	'20. 6. 23	K.Nakada



TC-X152SS	THIRD ANG. PROJ.	DWG.NO.	1E00081YP-B
TC-X152SH	THIRD ANG. PROJ.	DWG.NO.	1E00080YP-B
TC-X152ST	THIRD ANG. PROJ.	DWG.NO.	1E00079YP-B
TC-X152SN	THIRD ANG. PROJ.	DWG.NO.	1E00078YP-B
APP'D BY '20. 8. 18 S.Murata	THE DWG. OF: <small>ダイヤフラムポンプアセンブリ</small> DIAPHRAGM PUMP ASSEMBLY		
CHECKED BY '20. 8. 18 K.Nakano	TC-X152SC		
DRAWN BY '20. 8. 18 K.Nakada	THIRD ANG. PROJ.	DWG.NO.	1E00077YP-B
YTS Co., Ltd JAPAN		SCALE	Free