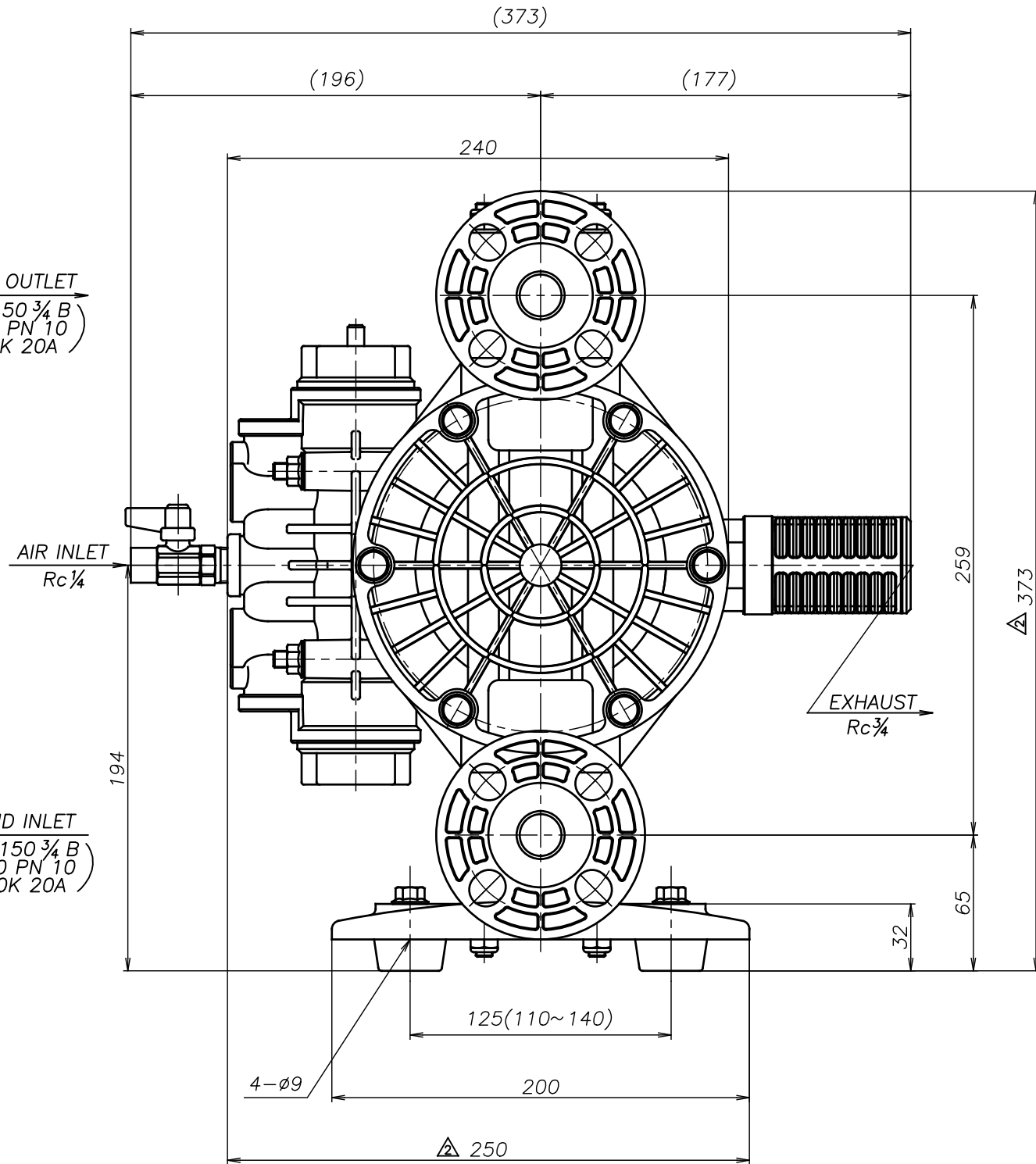
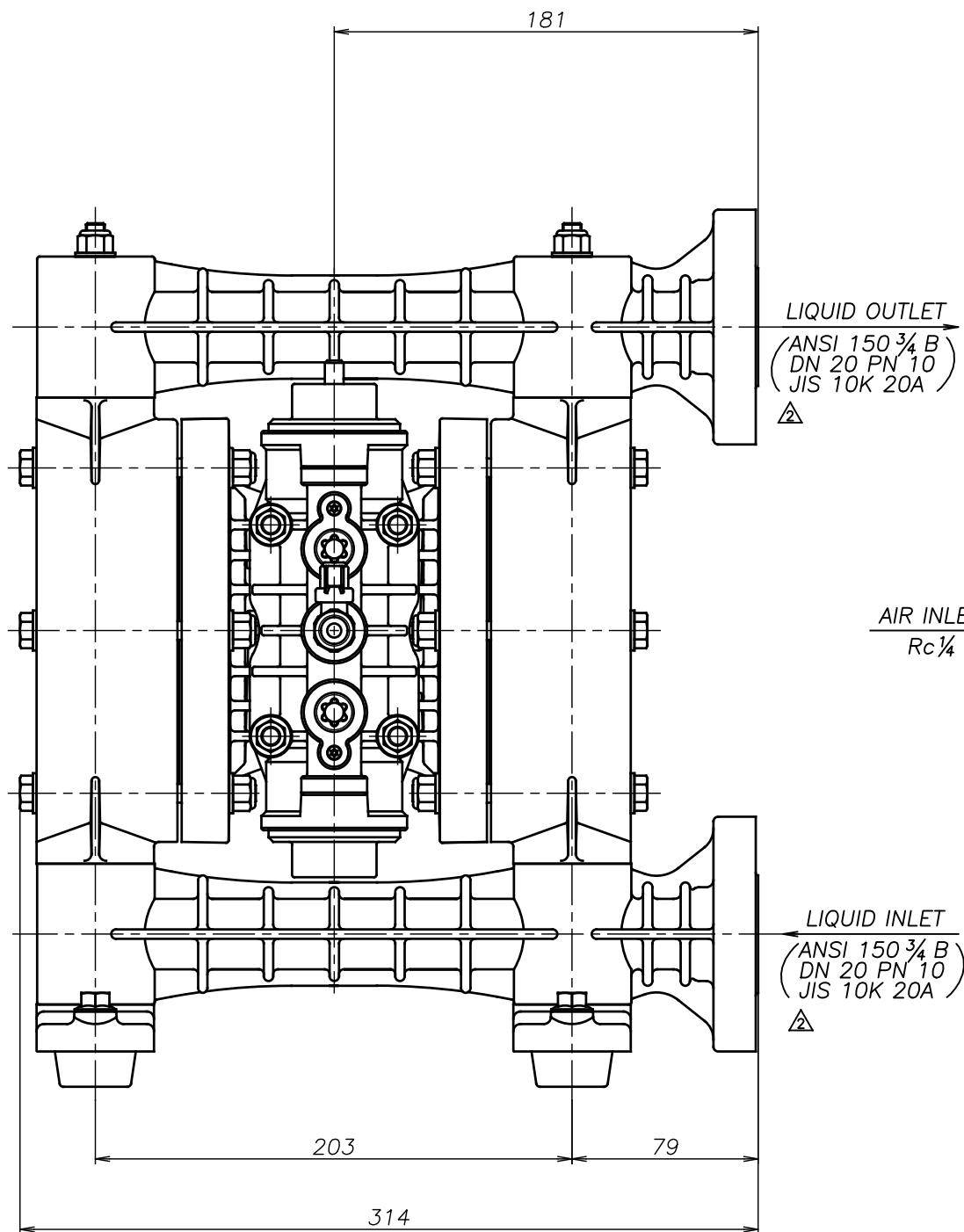


SYM	DWG.NO	CHANGE NO	DATE	REV'D BY
△	ALL	1GE0002	'15. 4. 8	K.Nakada
△	ALL	1BE0005	'19.10.28	K.Nakada
△	ALL	1BE0006 異記訂正	'20. 6.23	K.Nakada



△TC-X200GSJ	THIRD ANG. PROJ.	DWG.NO.
	SCALE	Free 1G00046YP-C
△TC-X200GHJ	THIRD ANG. PROJ.	DWG.NO.
	SCALE	Free 1G00045YP-C
△TC-X200GTJ	THIRD ANG. PROJ.	DWG.NO.
	SCALE	Free 1G00044YP-C
△TC-X200GVJ	THIRD ANG. PROJ.	DWG.NO.
	SCALE	Free 1G00043YP-C
△TC-X200GEJ	THIRD ANG. PROJ.	DWG.NO.
	SCALE	Free 1G00042YP-C
△TC-X200GNJ	THIRD ANG. PROJ.	DWG.NO.
	SCALE	Free 1G00041YP-C

APP'D BY	'20. 8.18	S.Murata	THE DWG. OF:
CHECKED BY	'20. 8.18	K.Nakano	ダイヤフラムポンプアセンブリ
DRAWN BY	'20. 8.18	K.Nakada	DIAPHRAGM PUMP ASSEMBLY
			△TC-X200GCJ
			THIRD ANG. PROJ.
			DWG.NO.
			SCALE
			Free 1G00040YP-C

**YTS** Co., Ltd JAPAN