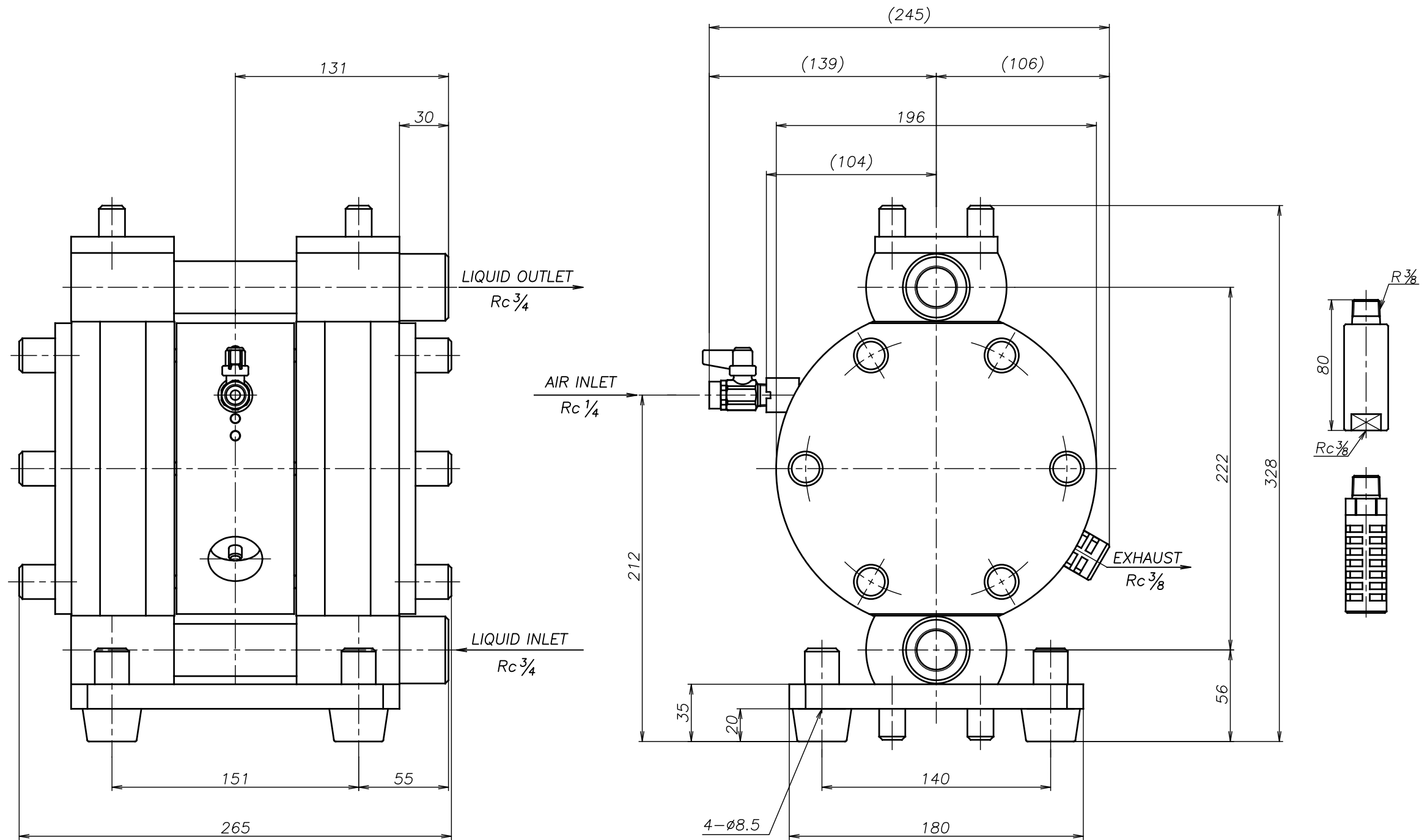


SYM	DWG.NO	CHANGE NO	DATE	REV'D BY
△	ALL	1GE0006	'15. 8.27	K.Nakada
△	ALL	1BE0005	'19.10.28	K.Nakada



△TC-X200HT-X  
 THIRD ANG. PROJ. DWG.NO.  
 SCALE Free 1G00055YP-B

APP'D BY	'19.10.28	S.Murata	THE DWG. OF:	ダイアフラムポンプアセンブリ
CHECKED BY	'19.10.28	K.Nakano	DIAPHRAGM PUMP ASSEMBLY	
DRAWN BY	'19.10.28	K.Nakada	△TC-X200HT	
<b>YTS</b> Co., Ltd JAPAN			THIRD ANG. PROJ.	DWG.NO.
			SCALE Free	1G00053YP-B