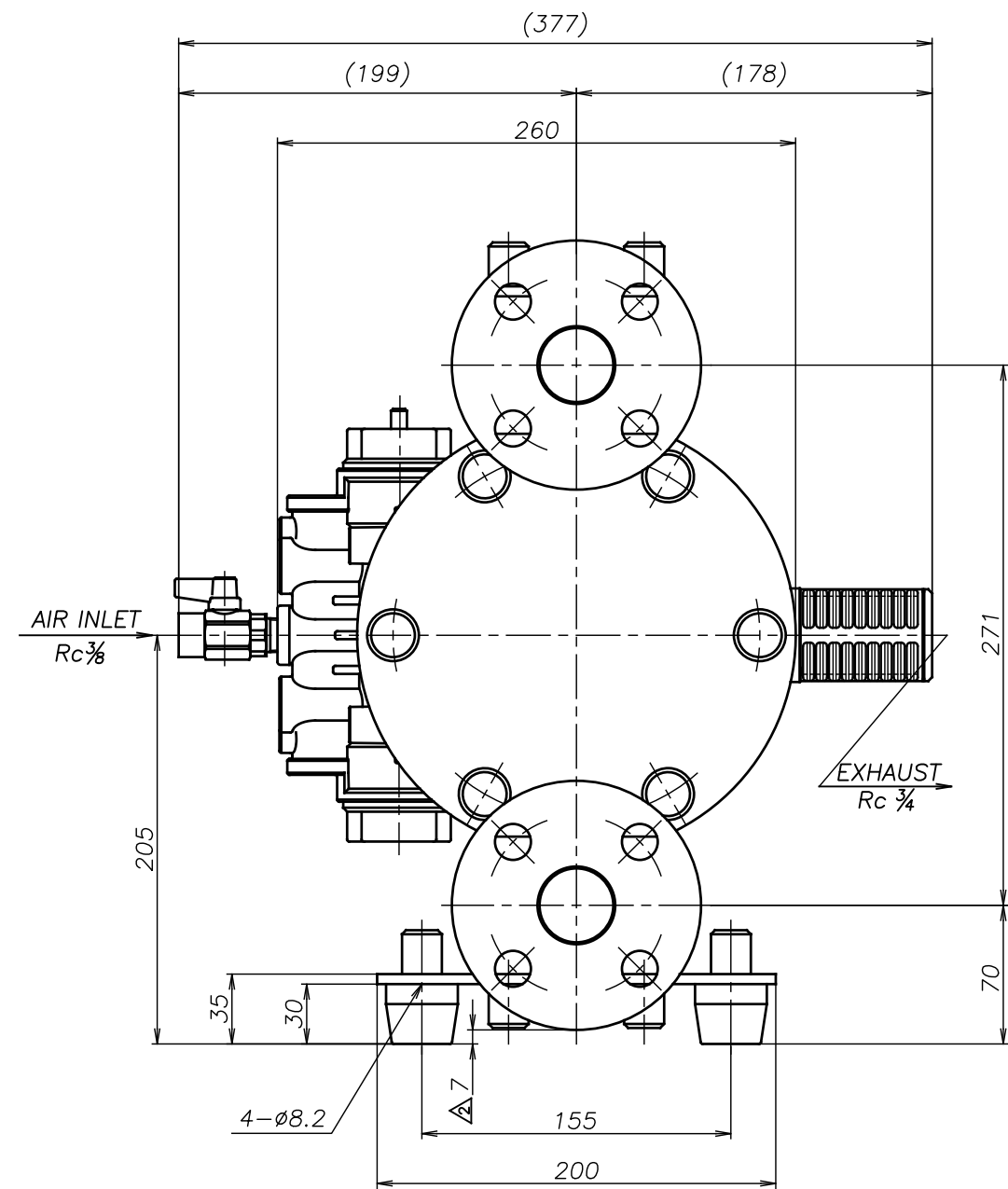
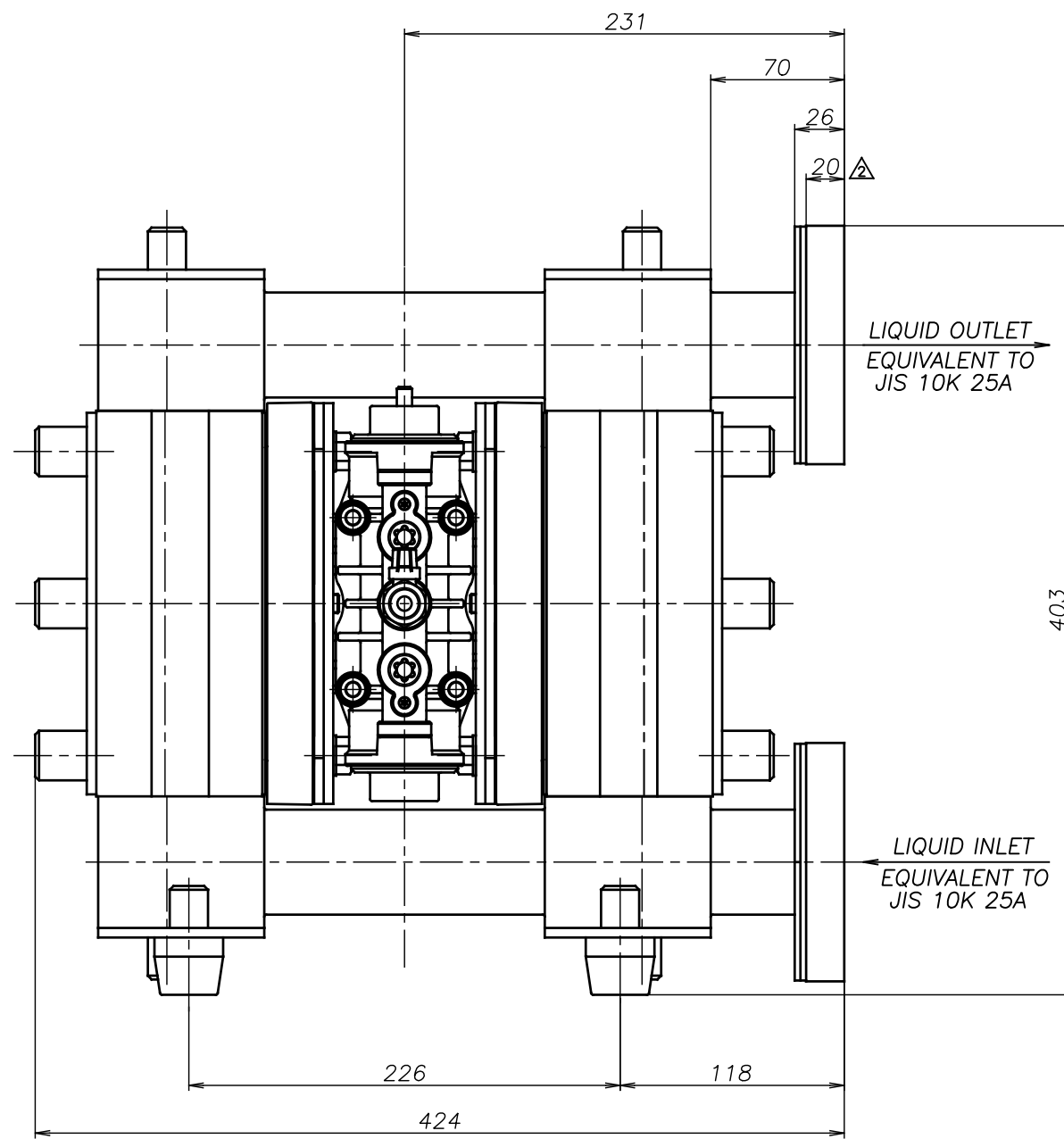


SYM	DWG.NO	CHANGE NO	DATE	REV'D BY
1H00136YP-A	1HE0008		'15. 4. 8	K.Nakada
△ 1H00136YP-B	1BE0005		'19.10.28	K.Nakada
△ 1H00136YP-C	1BE0006	異記訂正	'20. 6.23	K.Nakada



APP'D BY	'20. 8.18 S.Murata	THE DWG. OF:	ダイアフラムポンプアセンブリ
CHECKED BY	'20. 8.18 K.Nakano	DIAPHRAGM PUMP ASSEMBLY	
DRAWN BY	'20. 8.18 K.Nakada	△ TC-X250TTJ	
YTS CORPORATION JAPAN		THIRD ANG. PROJ.	DWG.NO.
		SCALE Free	1H00136YP-C