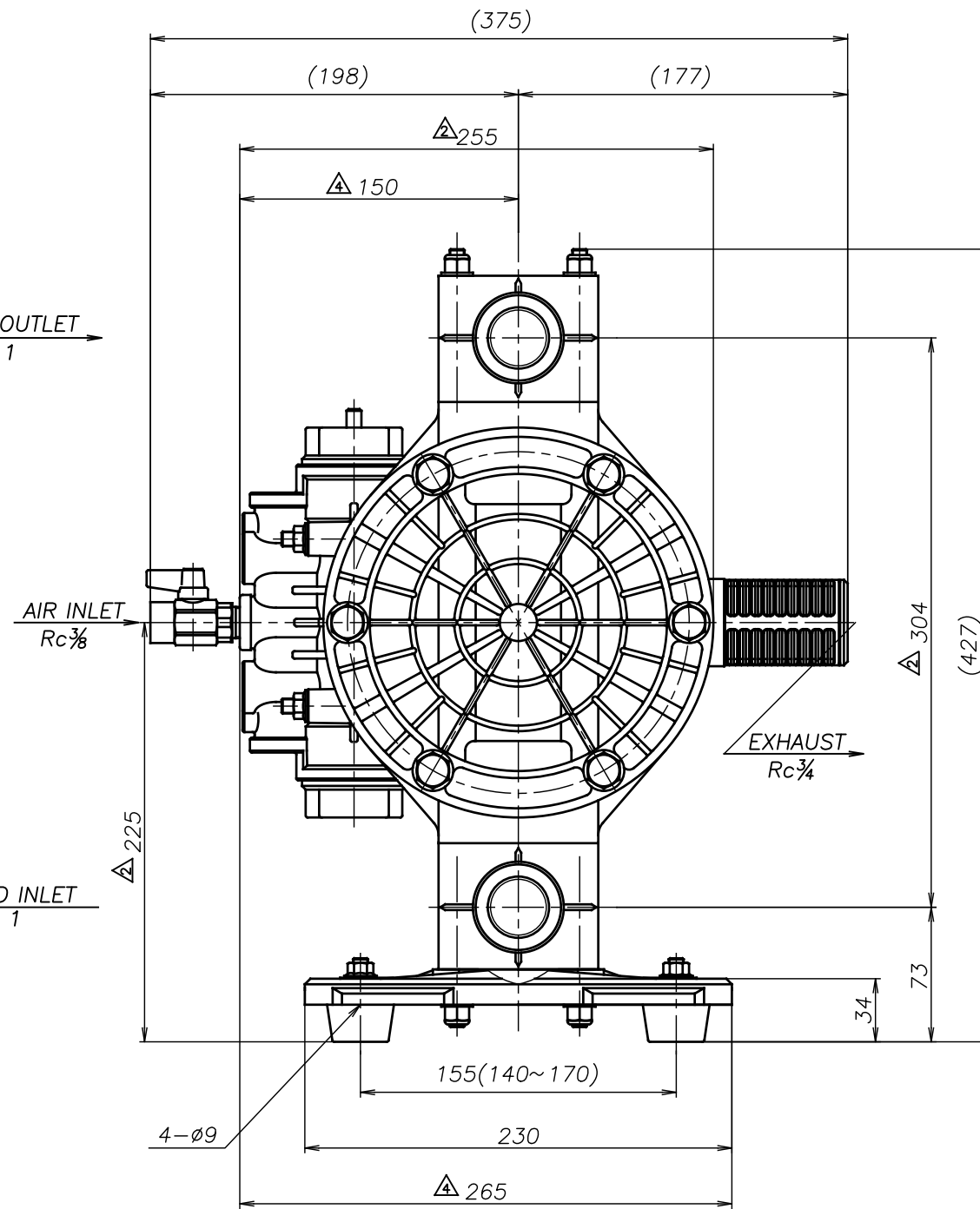
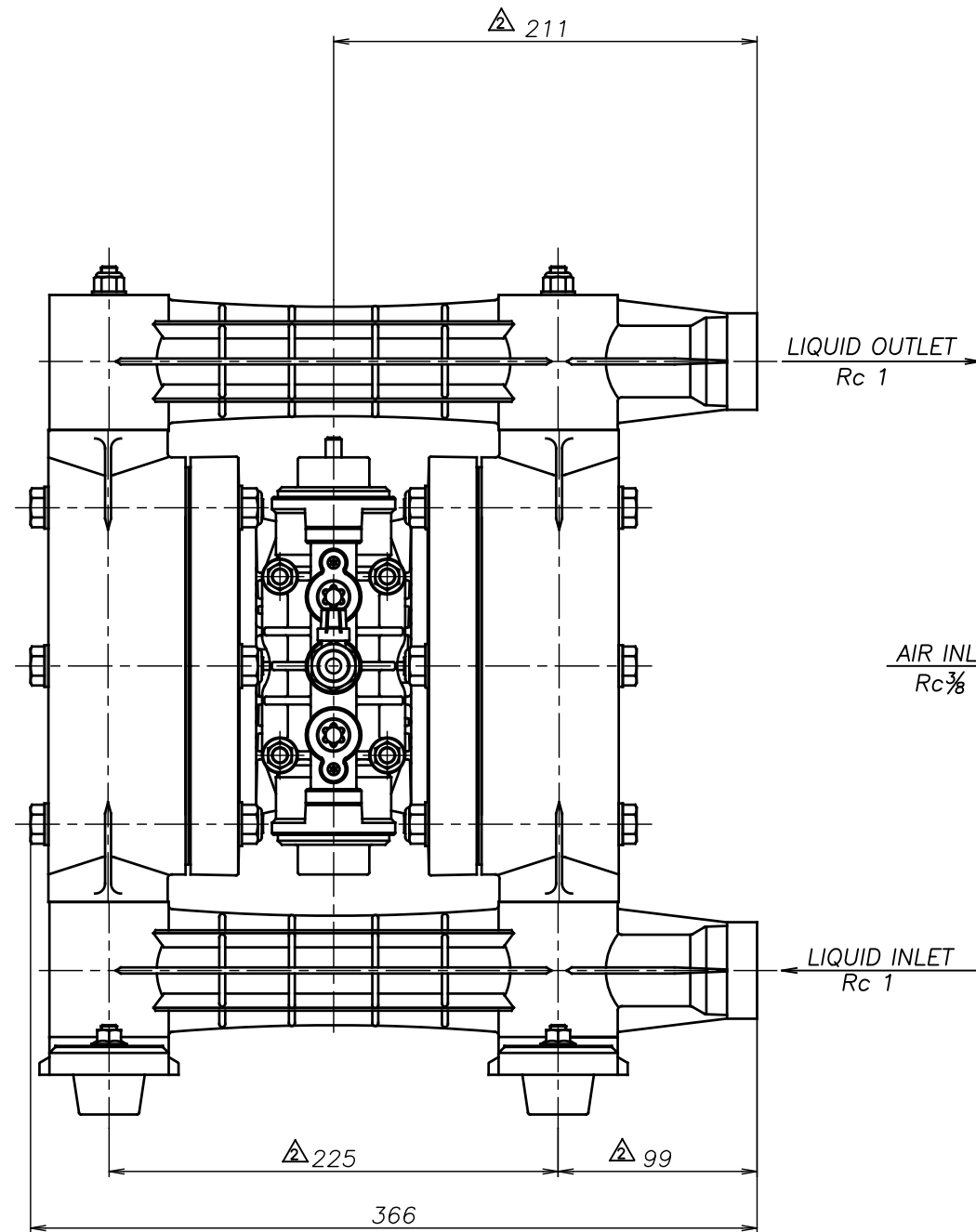


SYM	DWG.NO	CHANGE NO	DATE	REV'D BY
△	ALL	1HE0017	'16. 2.23	K.Nakada
△	ALL	1BE0005	'19.10.28	K.Nakada
△	ALL	1BE0006 異記訂正	'20. 6.23	K.Nakada



△TC-X250VS	THIRD ANG. PROJ.	DWG.NO.
	SCALE Free	1H00108YP-E
△TC-X250VH	THIRD ANG. PROJ.	DWG.NO.
	SCALE Free	1H00107YP-E
△TC-X250VT	THIRD ANG. PROJ.	DWG.NO.
	SCALE Free	1H00106YP-E
△TC-X250W	THIRD ANG. PROJ.	DWG.NO.
	SCALE Free	1H00105YP-E

APP'D BY	'20. 8.18	S.Murata	THE DWG. OF:
CHECKED BY	'20. 8.18	K.Nakano	ダイヤフラムポンプアセンブリ
DRAWN BY	'20. 8.18	K.Nakada	DIAPHRAGM PUMP ASSEMBLY
			△TC-X250VE
YTS CORPORATION JAPAN			THIRD ANG. PROJ.
			DWG.NO.
			SCALE Free
			1H00104YP-E