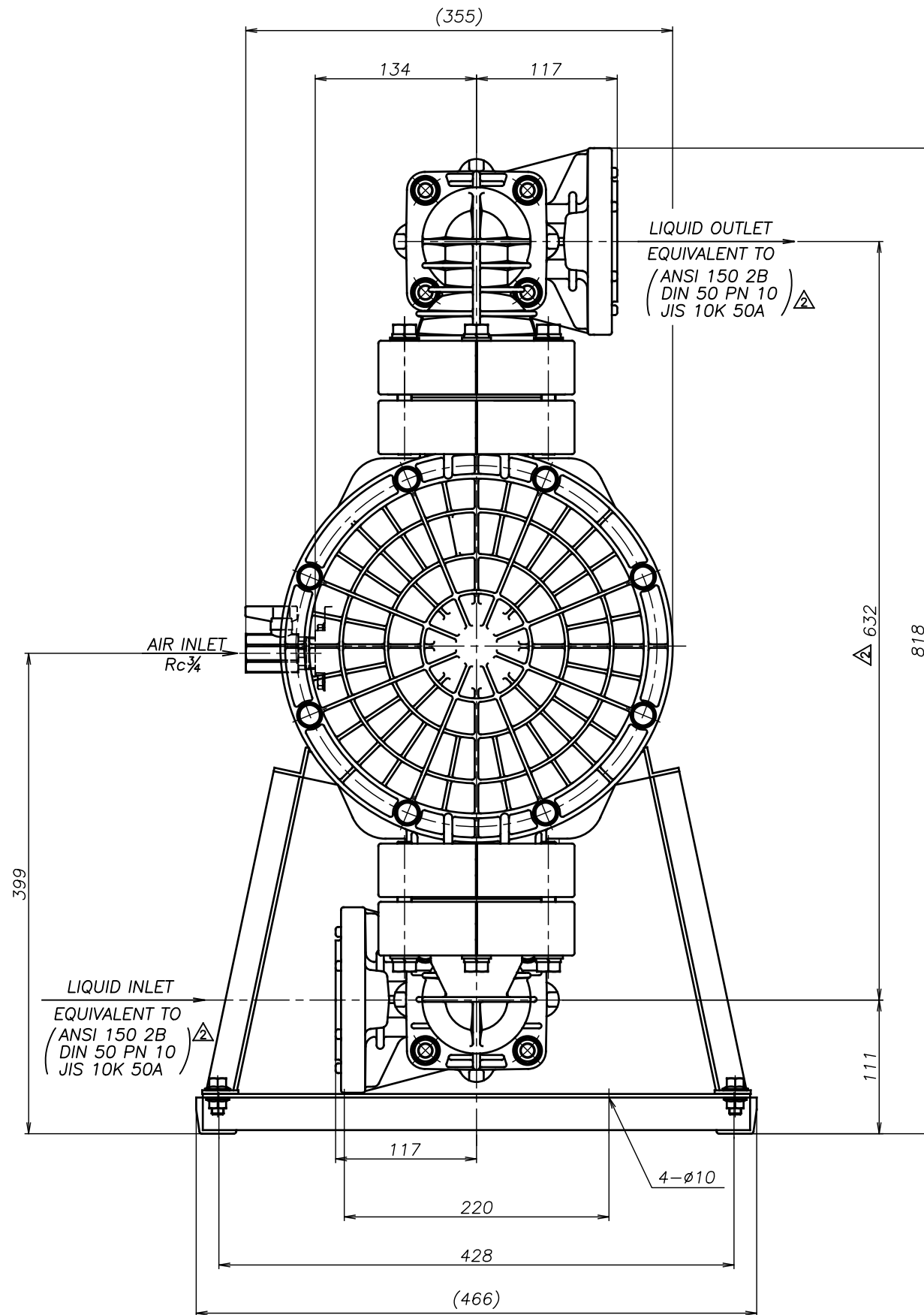
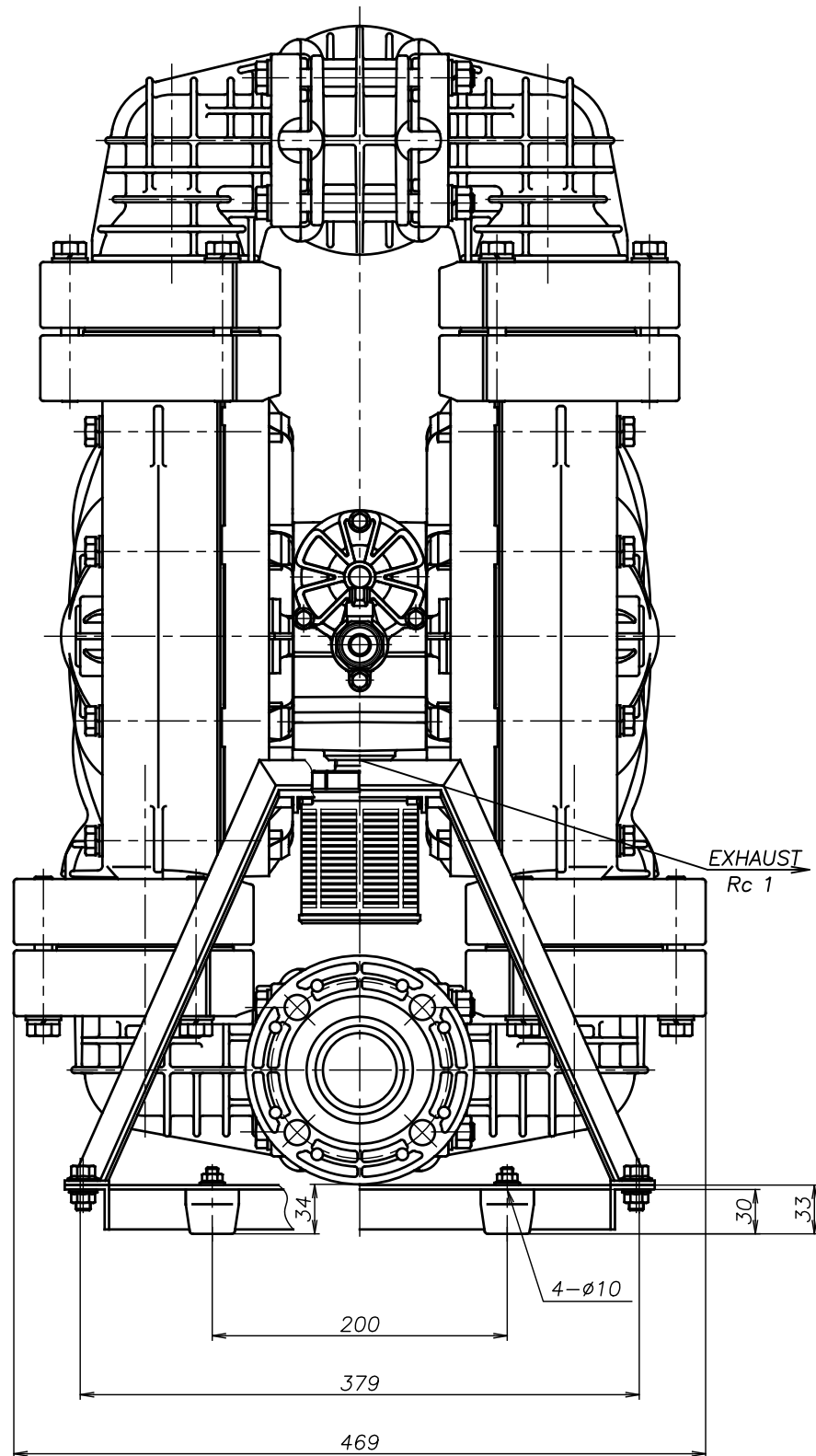


SYM	DWG.NO	CHANGE NO	DATE	REV'D BY
△	ALL	1ME0003	'15. 4.15	K.Nakada
△	ALL	1BE0005	'19.10.28	K.Nakada
△	ALL	1BE0006 異記訂正	'20. 6.23	K.Nakada



△TC-X500GSJ	THIRD ANG. PROJ.	DWG.NO.
	SCALE Free	1M00413YP-C
△TC-X500GHJ	THIRD ANG. PROJ.	DWG.NO.
	SCALE Free	1M00412YP-C
△TC-X500GTJ	THIRD ANG. PROJ.	DWG.NO.
	SCALE Free	1M00411YP-C
△TC-X500GVJ	THIRD ANG. PROJ.	DWG.NO.
	SCALE Free	1M00410YP-C
△TC-X500GEJ	THIRD ANG. PROJ.	DWG.NO.
	SCALE Free	1M00409YP-C
△TC-X500GNJ	THIRD ANG. PROJ.	DWG.NO.
	SCALE Free	1M00408YP-C

APP'D BY	'20. 8.18 S.Murata	THE DWG. OF:
CHECKED BY	'20. 8.18 K.Nakano	ダイヤフラムポンプアセンブリ
DRAWN BY	'20. 8.18 K.Nakada	DIAPHRAGM PUMP ASSEMBLY
		△TC-X500GCJ
		THIRD ANG. PROJ.
		DWG.NO.
		SCALE Free
		1M00407YP-C

YTS Co., Ltd JAPAN