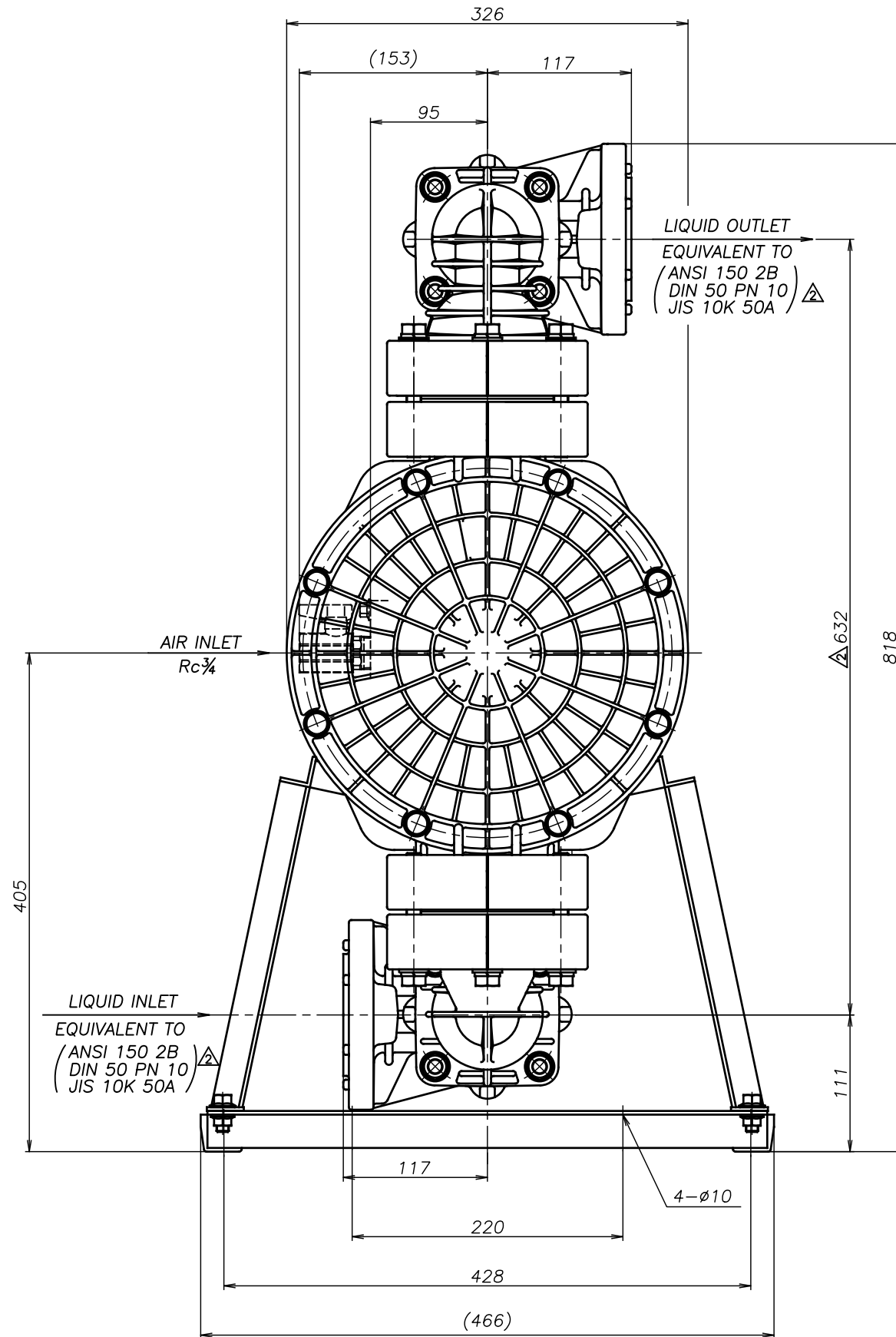
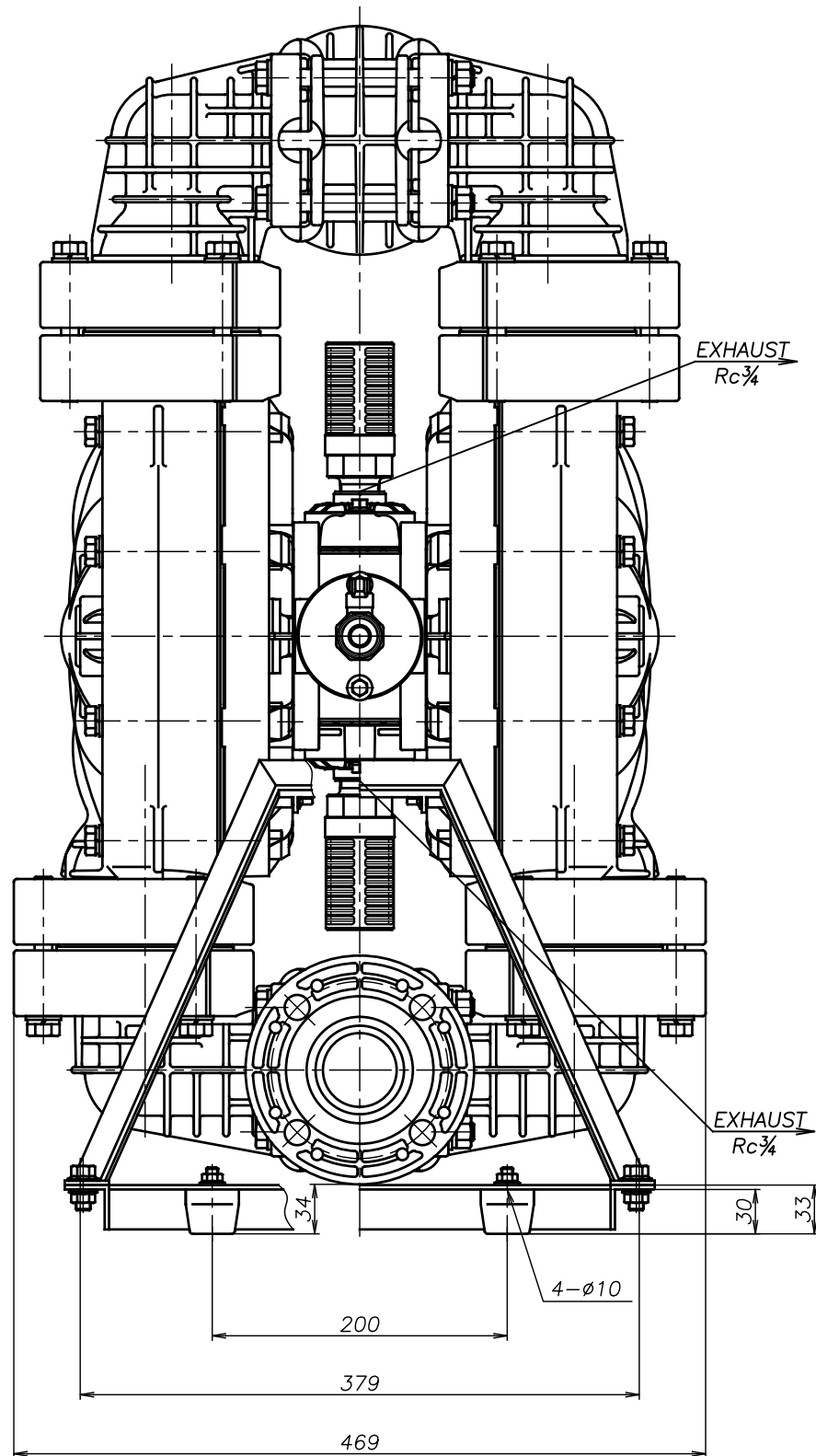


SYM	DWG.NO	CHANGE NO	DATE	REV'D BY
△	ALL	1ME0003	'15. 4.15	K.Nakada
△	ALL	1BE0005	'19.10.28	K.Nakada
△	ALL	1BE0006 異記訂正	'20. 6.23	K.Nakada



△TC-X500GSJ-M	THIRD ANG. PROJ.	DWG.NO.
	SCALE Free	1M00096YP-C
△TC-X500GHJ-M	THIRD ANG. PROJ.	DWG.NO.
	SCALE Free	1M00095YP-C
△TC-X500GTJ-M	THIRD ANG. PROJ.	DWG.NO.
	SCALE Free	1M00094YP-C
△TC-X500GVJ-M	THIRD ANG. PROJ.	DWG.NO.
	SCALE Free	1M00093YP-C
△TC-X500GEJ-M	THIRD ANG. PROJ.	DWG.NO.
	SCALE Free	1M00092YP-C
△TC-X500GNJ-M	THIRD ANG. PROJ.	DWG.NO.
	SCALE Free	1M00091YP-C

APP'D BY	'20. 8.18	S.Murata	THE DWG. OF:
CHECKED BY	'20. 8.18	K.Nakano	ダイヤフラムポンプアセンブリ
DRAWN BY	'20. 8.18	K.Nakada	DIAPHRAGM PUMP ASSEMBLY
			△TC-X500GCJ-M
			THIRD ANG. PROJ.
			DWG.NO.
			SCALE Free
			1M00090YP-C

YTS Co., Ltd JAPAN