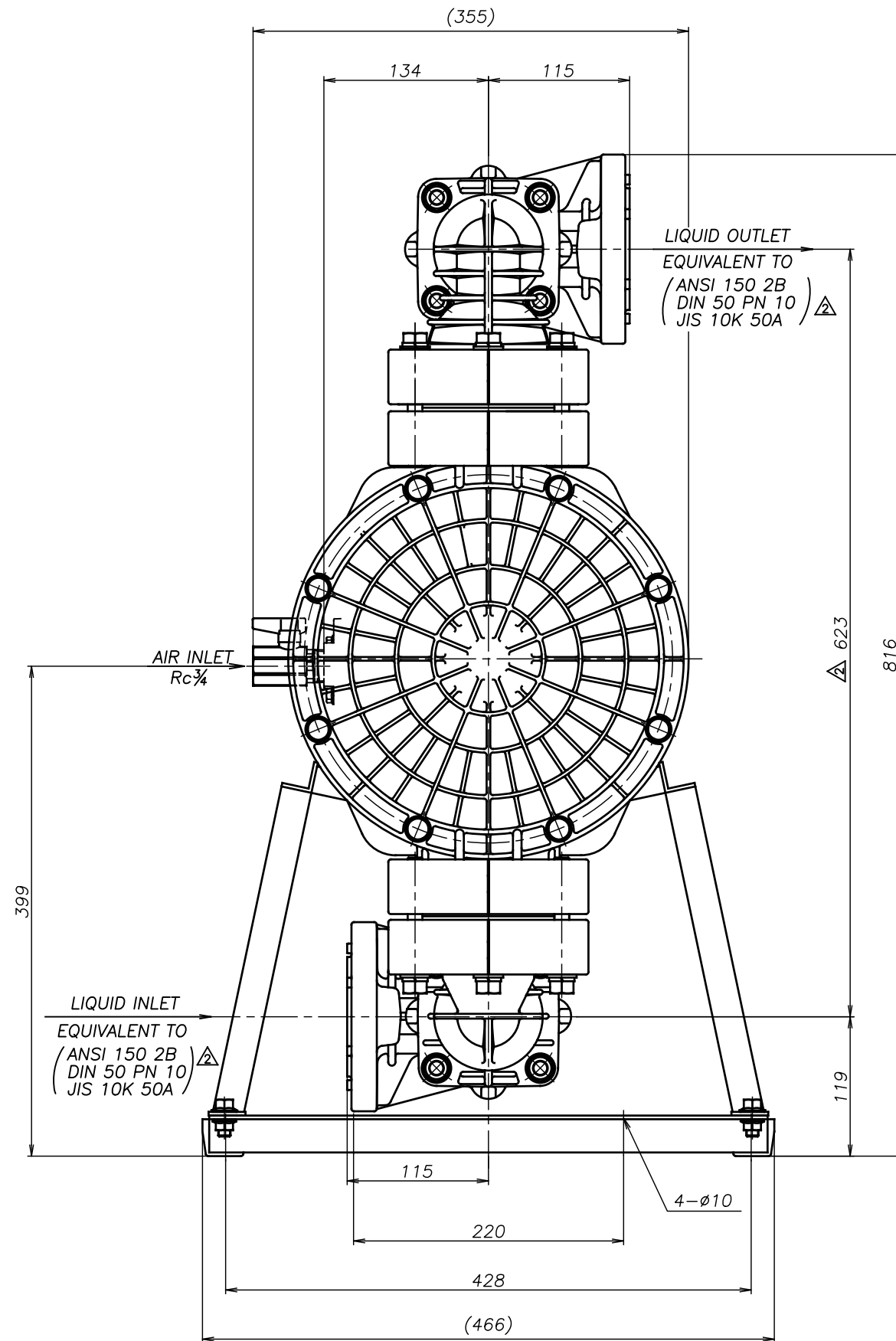
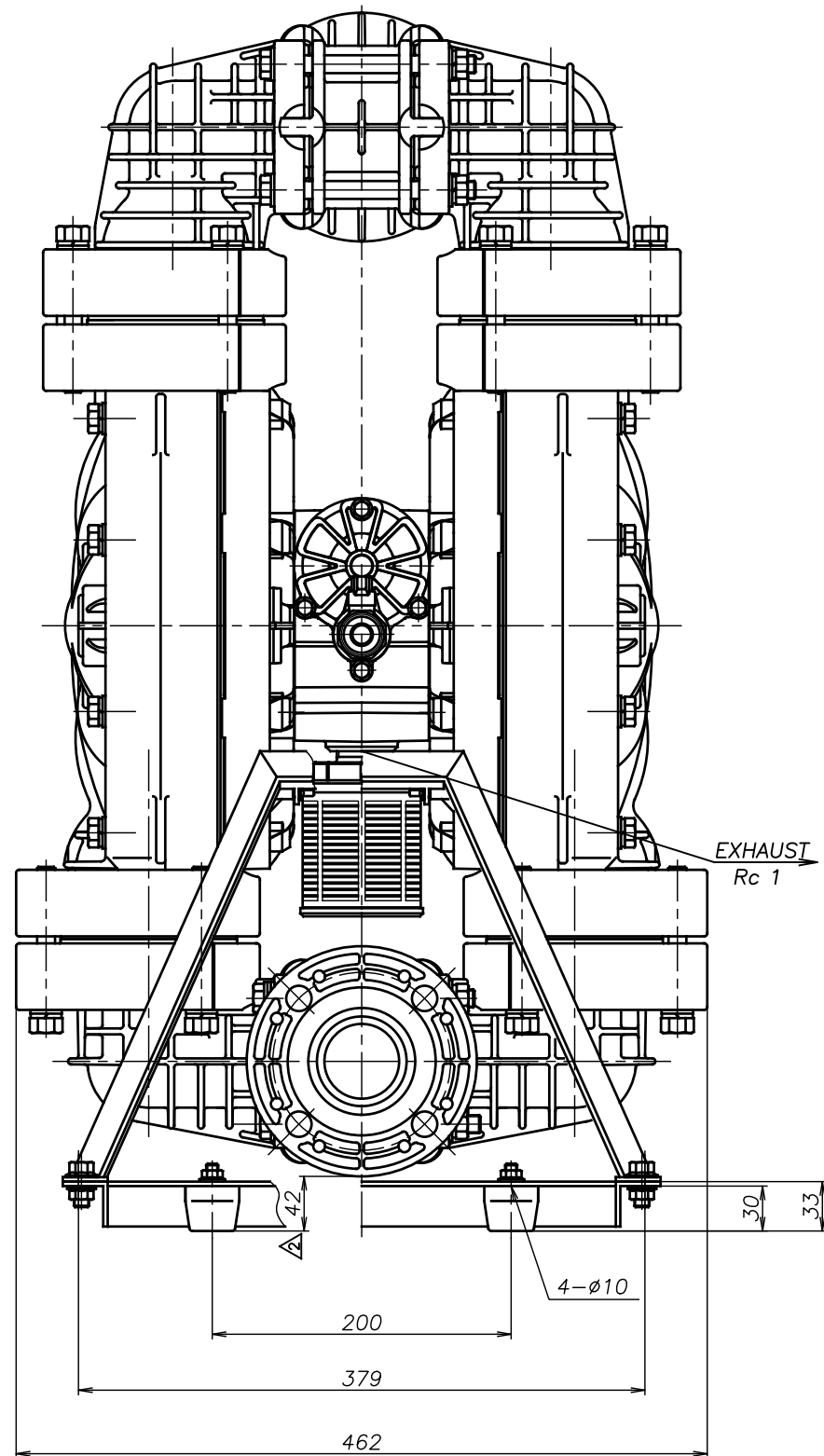


SYM	DWG.NO	CHANGE NO	DATE	REV'D BY
△	ALL	1ME0003	'15. 4.15	K.Nakada
△	ALL	1BE0005	'19.10.28	K.Nakada
△	ALL	1BE0006 異記訂正	'20. 6.23	K.Nakada



△TC-X500VSJ	THIRD ANG. PROJ.	DWG.NO.
SCALE Free		1M00418YP-C
△TC-X500VHJ	THIRD ANG. PROJ.	DWG.NO.
SCALE Free		1M00417YP-C
△TC-X500VTJ	THIRD ANG. PROJ.	DWG.NO.
SCALE Free		1M00416YP-C
△TC-X500VWJ	THIRD ANG. PROJ.	DWG.NO.
SCALE Free		1M00415YP-C

APP'D BY	'20. 8.18	S.Murata	THE DWG. OF:
CHECKED BY	'20. 8.18	K.Nakano	ダイアフラムポンプアSEMBリ
DRAWN BY	'20. 8.18	K.Nakada	DIAPHRAGM PUMP ASSEMBLY
			△TC-X500VEJ
			THIRD ANG. PROJ.
			DWG.NO.
			SCALE Free
			1M00414YP-C

**YTS** Co., Ltd JAPAN