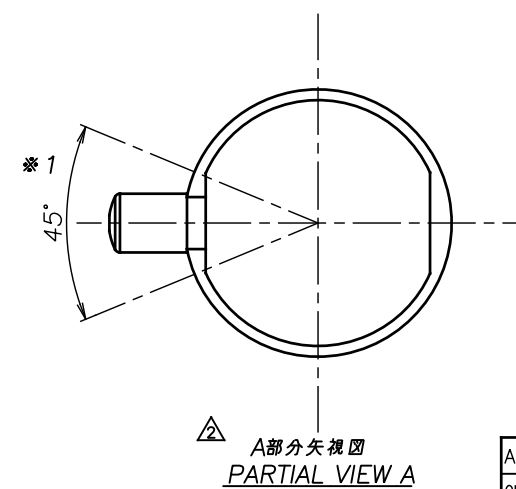
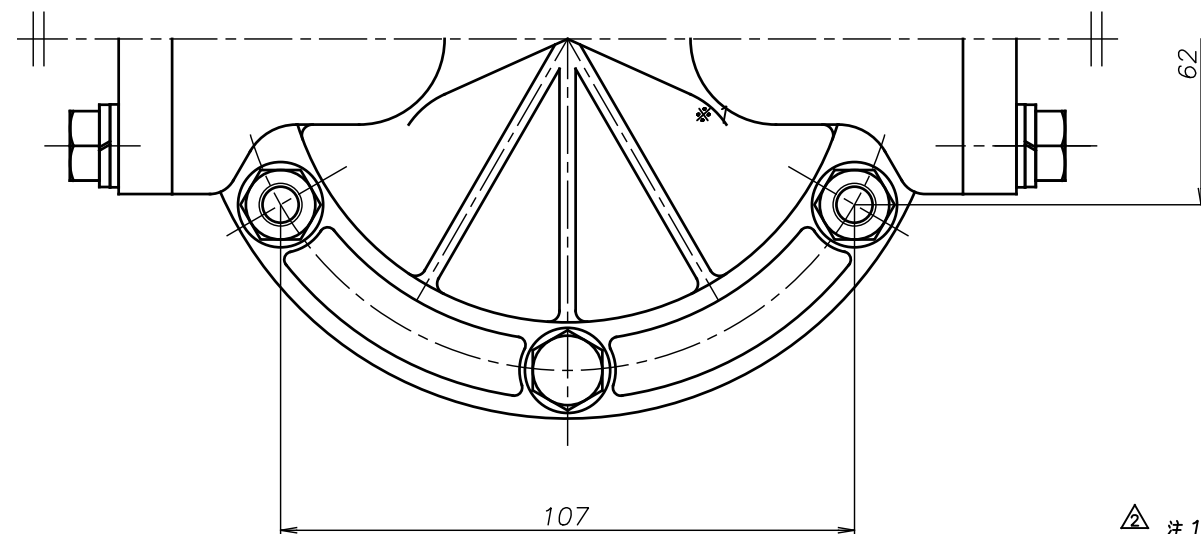
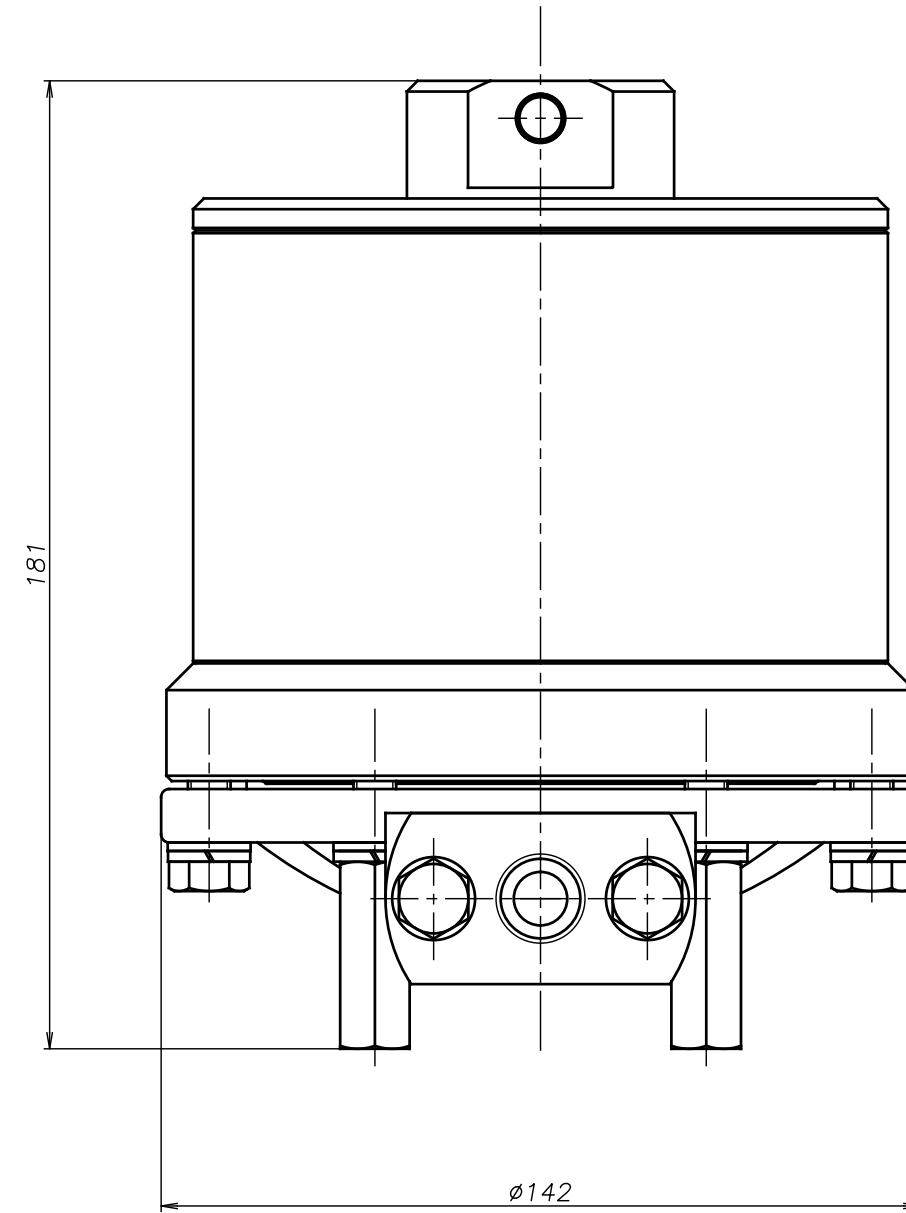
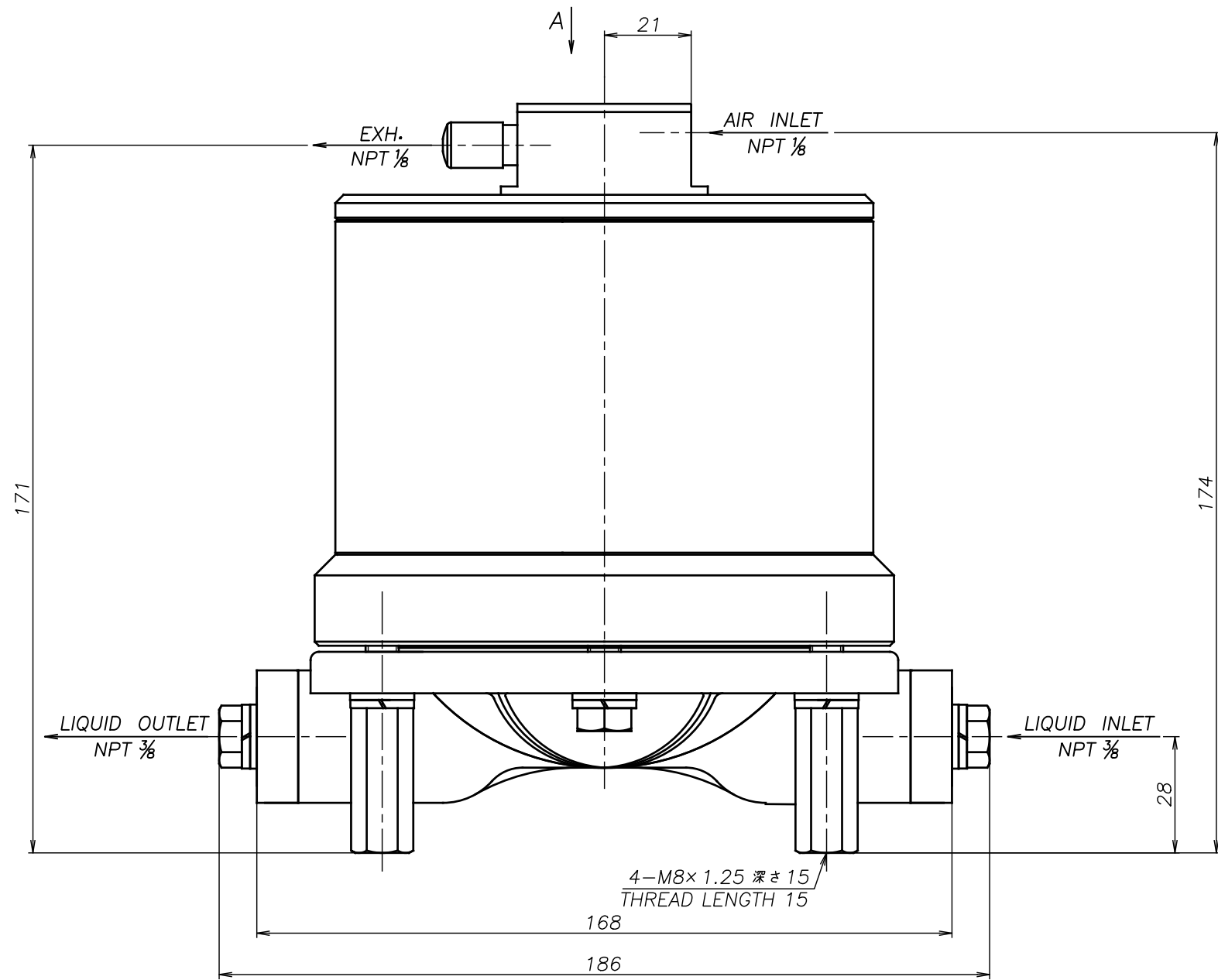


SYM	DWG.NO	CHANGE NO	DATE	REV'D BY
△	ALL	1DE0022	'19. 5.31	K.Nakada
△	ALL	1BE0005	'19.10.28	K.Nakada
△	ALL	1BE0006 異記訂正	'20. 6.23	K.Nakada



△ 注1) AIR INLET, EXH.は ※1 の範囲で固定されています  
 △ NOTE:1) AIR INLET & EXH. port are fixed in the range of ※1.

△CF-X10ASN	THIRD ANG. PROJ.	DWG.NO.	1D00102YN-C
△CF-X10AHN	THIRD ANG. PROJ.	DWG.NO.	1D00101YN-C
△CF-X10ATN	THIRD ANG. PROJ.	DWG.NO.	1D00100YN-C
△CF-X10ANN	THIRD ANG. PROJ.	DWG.NO.	1D00099YN-C
△CF-X10ACN	THIRD ANG. PROJ.	DWG.NO.	1D00098YN-C

APP'D BY '20. 8.18 S.Murata  
 CHECKED BY '20. 8.18 K.Nakano  
 DRAWN BY '20. 8.18 K.Nakada

THE DWG. OF:  
 ダンパ アセンブリ  
 DAMPER ASSEMBLY

YTS Co., Ltd JAPAN