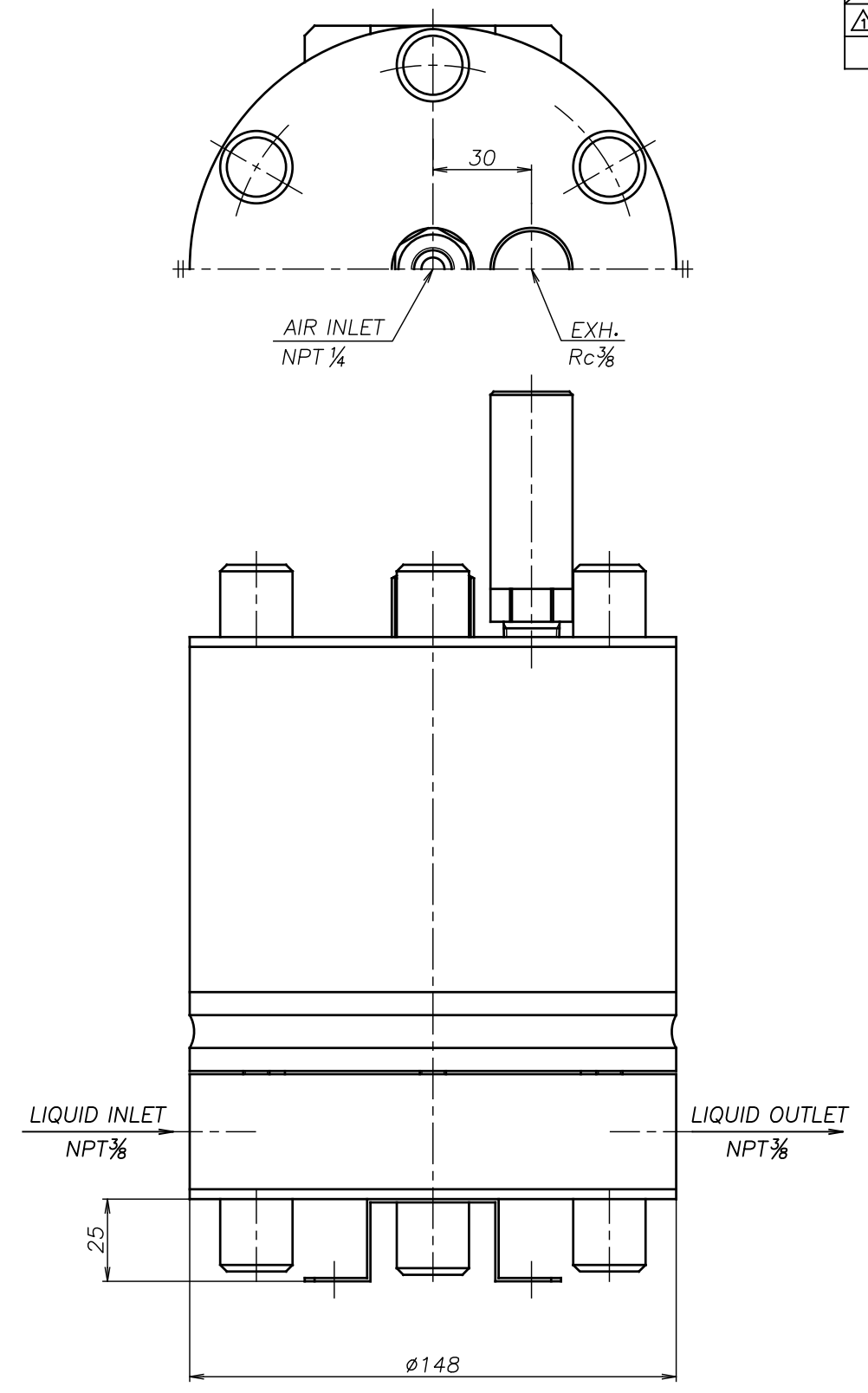
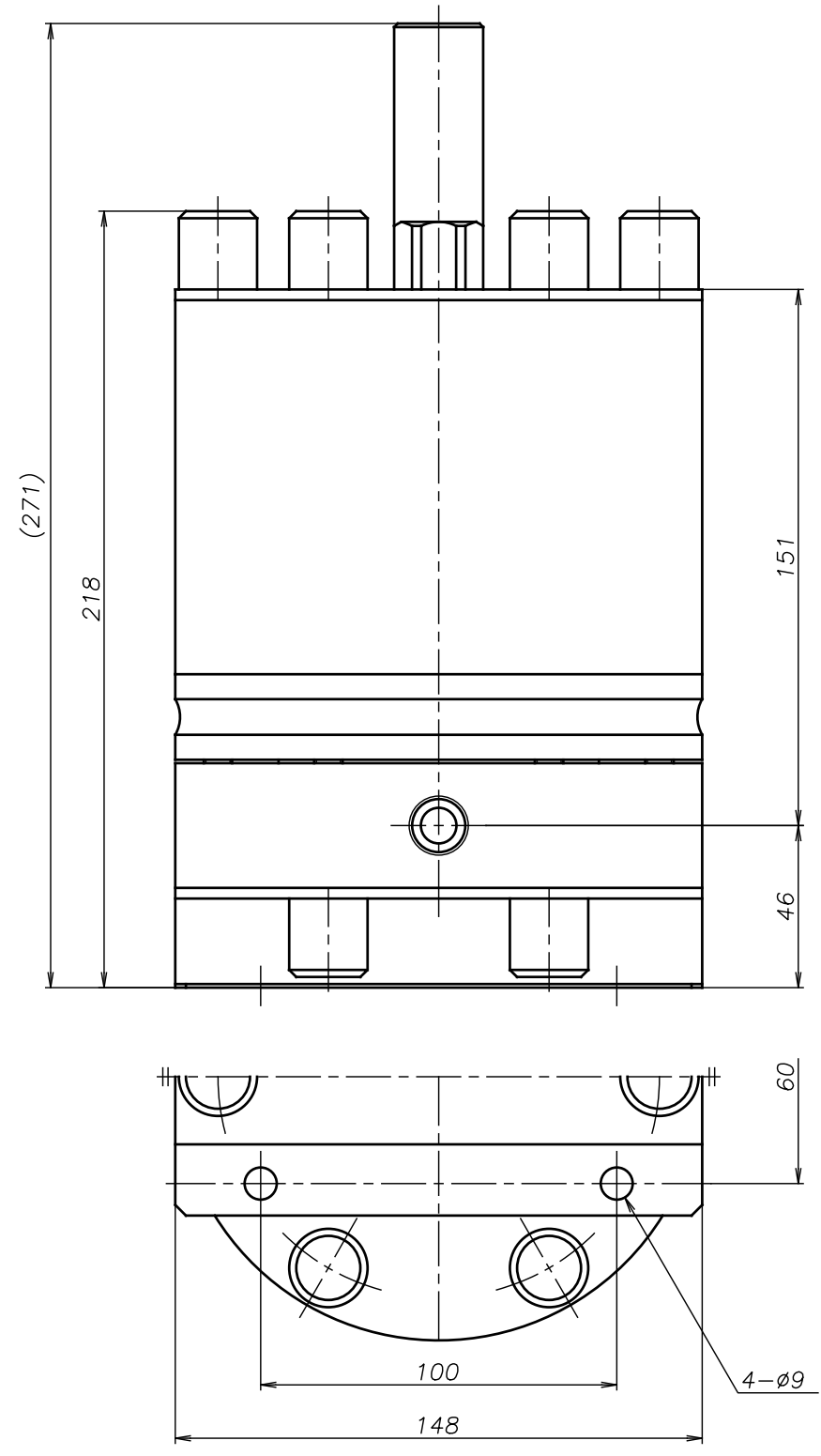


SYM	DWG.NO	CHANGE NO	DATE	REV'D BY
△	1D00113YN-A	1DE0011	'16. 6.16	S.Murata
△	1D00113YN-B	1BE0005	'19.10.28	K.Nakada



APP'D BY	'19.10.28 S.Murata	THE DWG. OF:	ダンパ アセンブリ
CHECKED BY	'19.10.28 K.Nakano	DAMPER ASSEMBLY	
DRAWN BY	'19.10.28 K.Nakada	△CF-X10HTN	
YTS Co., Ltd JAPAN		THIRD ANG. PROJ.	DWG.NO.
		SCALE Free	1D00113YN-B