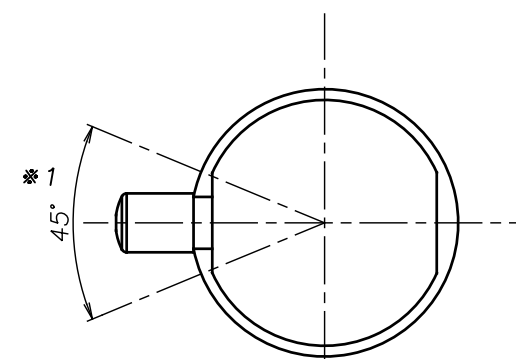
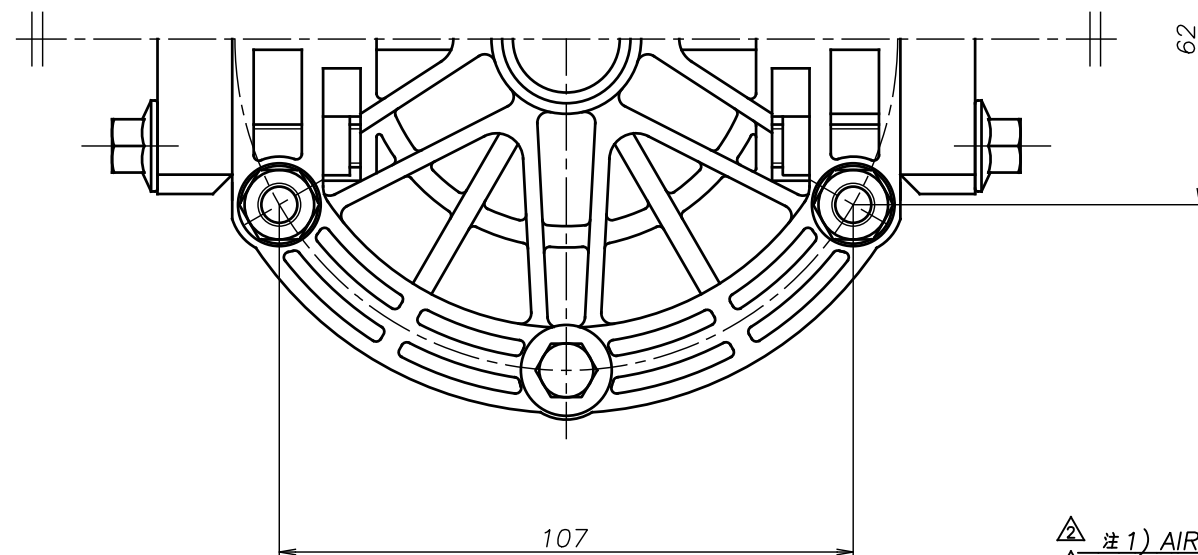
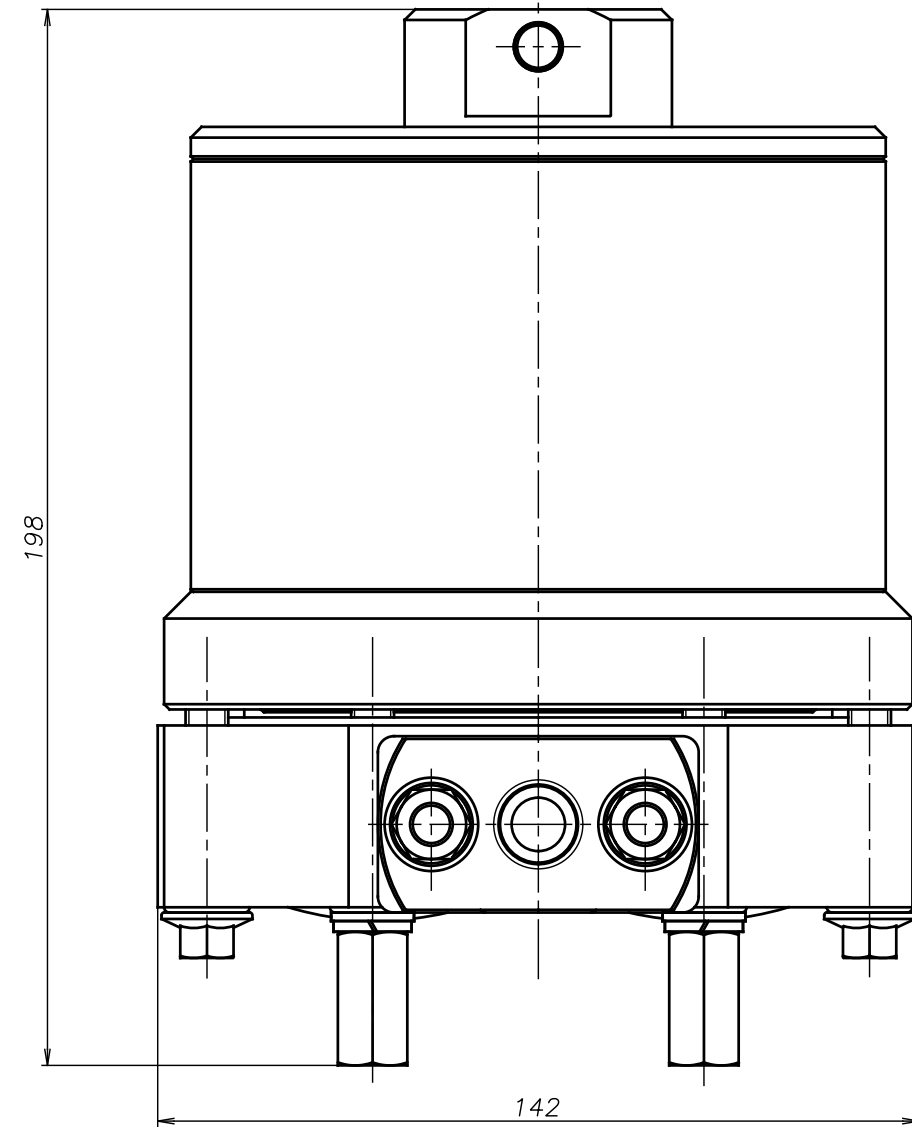
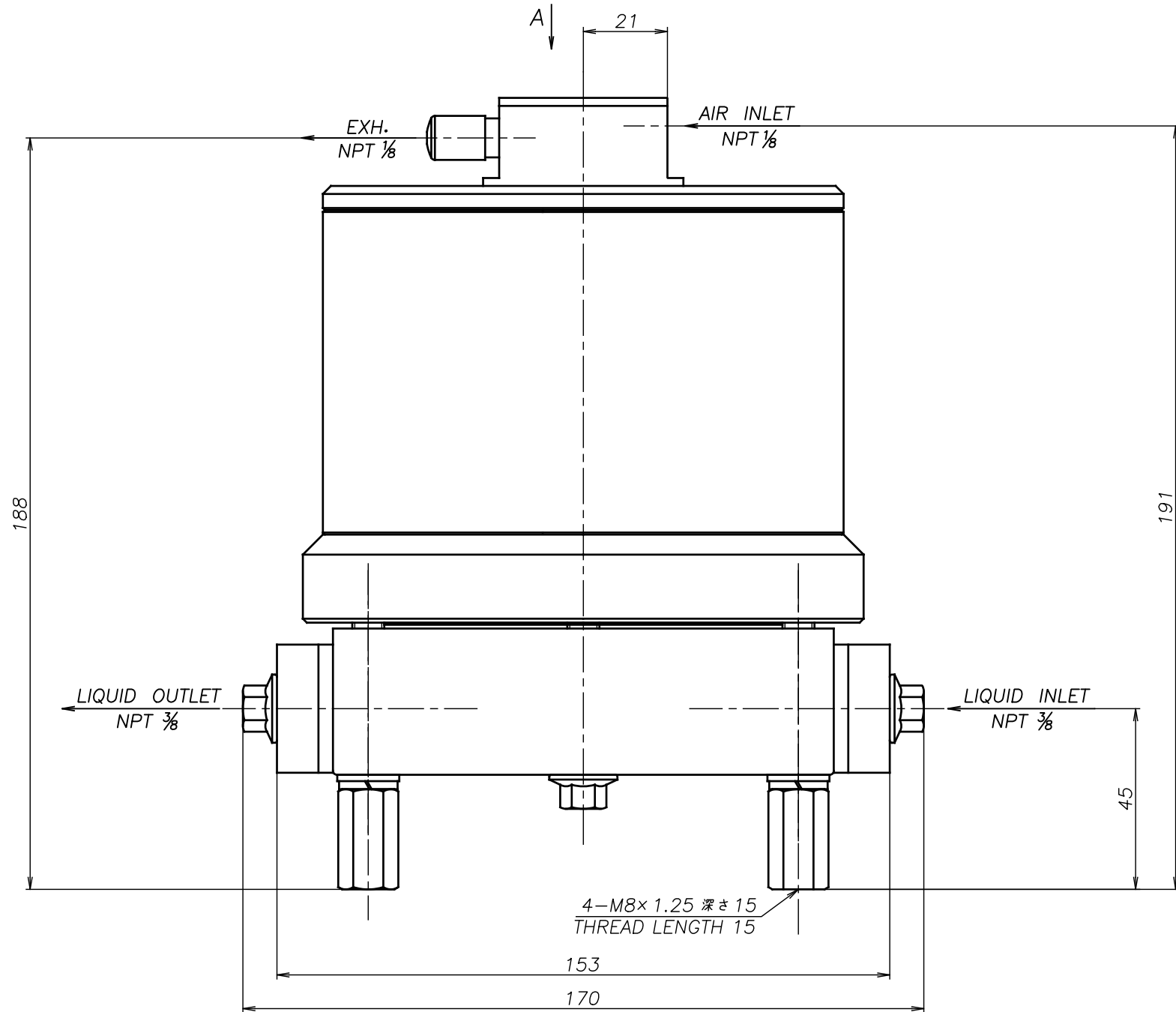


SYM	DWG.NO	CHANGE NO	DATE	REV'D BY
△	ALL	1DE0022	'19. 5.31	K.Nakada
△	ALL	1BE0005	'19.10.28	K.Nakada
△	ALL	1BE0006 異記訂正	'20. 6.23	K.Nakada



△ A部分矢視図  
PARTIAL VIEW A

△ 注1) AIR INLET, EXH.は ※1 の範囲で固定されています  
△ NOTE:1) AIR INLET & EXH. port are fixed in the range of ※1.

△CF-X10PSN	THIRD ANG. PROJ.	DWG.NO.	1D00112YN-C
△CF-X10PHN	THIRD ANG. PROJ.	DWG.NO.	1D00111YN-C
△CF-X10PTN	THIRD ANG. PROJ.	DWG.NO.	1D00110YN-C
△CF-X10PNN	THIRD ANG. PROJ.	DWG.NO.	1D00109YN-C
△CF-X10PCN	THIRD ANG. PROJ.	DWG.NO.	1D00108YN-C

APP'D BY '20. 8.18 S.Murata  
CHECKED BY '20. 8.18 K.Nakano  
DRAWN BY '20. 8.18 K.Nakada

THE DWG. OF:  
ダンパ アセンブリ  
DAMPER ASSEMBLY

YTS Co., Ltd JAPAN