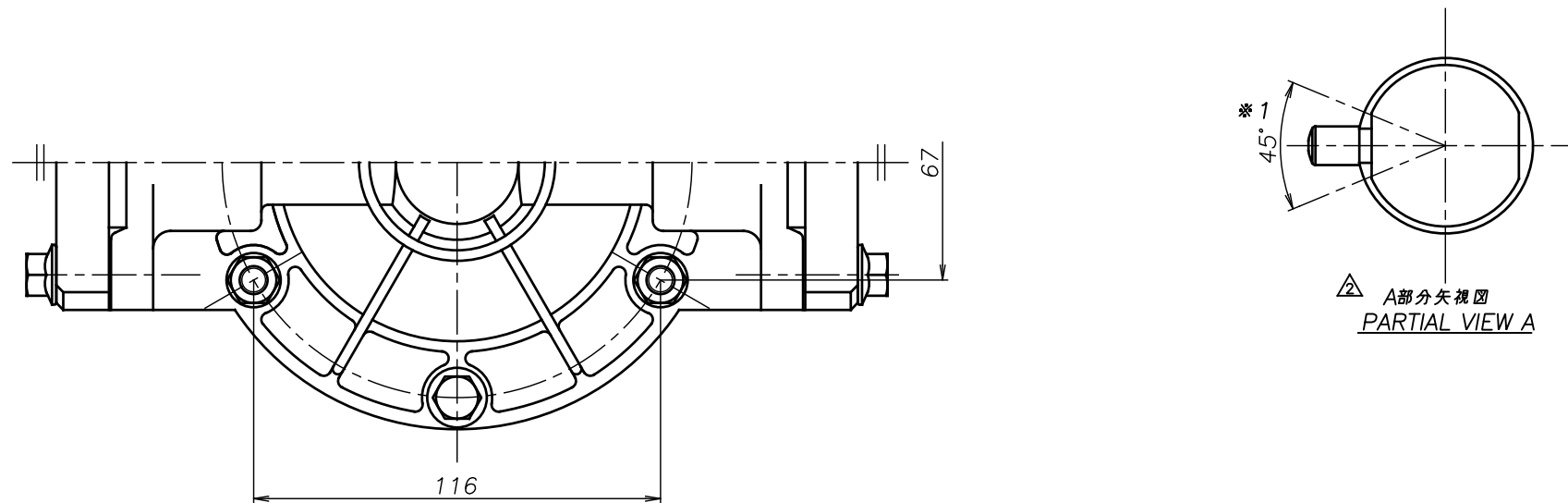
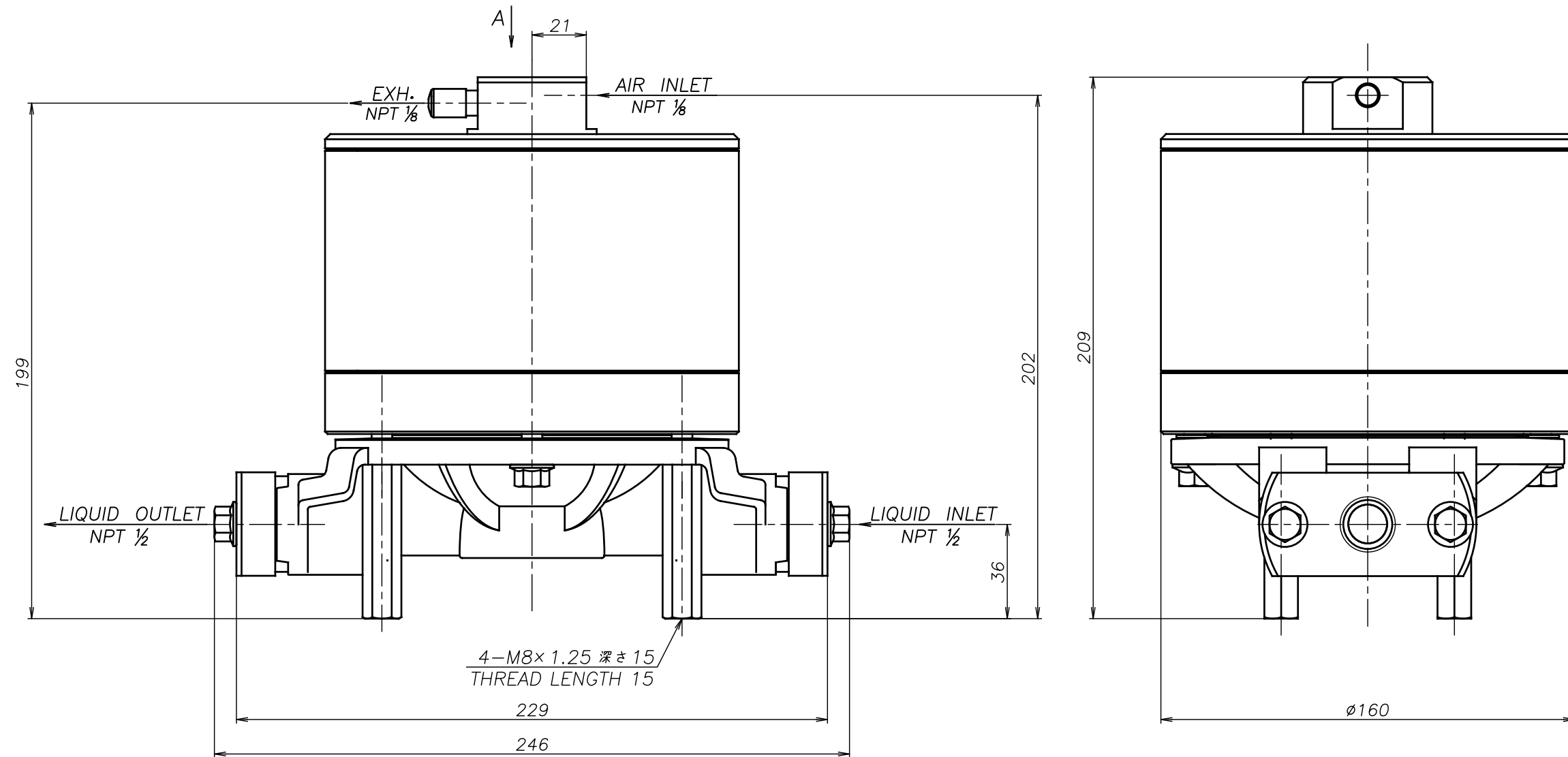


SYM	DWG.NO	CHANGE NO	DATE	REV'D BY
△	ALL	1EE0037	'19. 5.31	K.Nakada
△	ALL	1BE0005	'19.10.28	K.Nakada
△	ALL	1BE0006 異記訂正	'20. 6.23	K.Nakada



△ 注1) AIR INLET, EXH.は *1 の範囲で固定されています
 △ NOTE:1) AIR INLET & EXH. port are fixed in the range of *1.

△CF-X15ASN	THIRD ANG. PROJ.	DWG.NO.
	SCALE Free	1E00166YN-C
△CF-X15AHN	THIRD ANG. PROJ.	DWG.NO.
	SCALE Free	1E00165YN-C
△CF-X15ATN	THIRD ANG. PROJ.	DWG.NO.
	SCALE Free	1E00164YN-C
△CF-X15ANN	THIRD ANG. PROJ.	DWG.NO.
	SCALE Free	1E00163YN-C

APP'D BY	'20. 8.18	S.Murata	THE DWG. OF:
CHECKED BY	'20. 8.18	K.Nakano	ダンパ アセンブリ
DRAWN BY	'20. 8.18	K.Nakada	DAMPER ASSEMBLY
			△CF-X15ACN
			THIRD ANG. PROJ.
			DWG.NO.
			SCALE Free
			1E00162YN-C

YTS Co., Ltd JAPAN