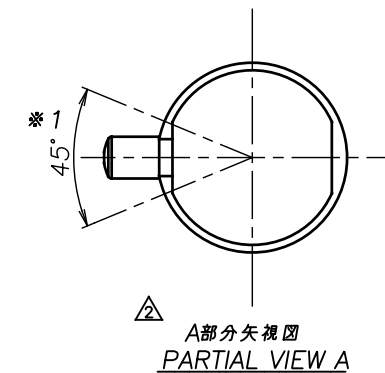
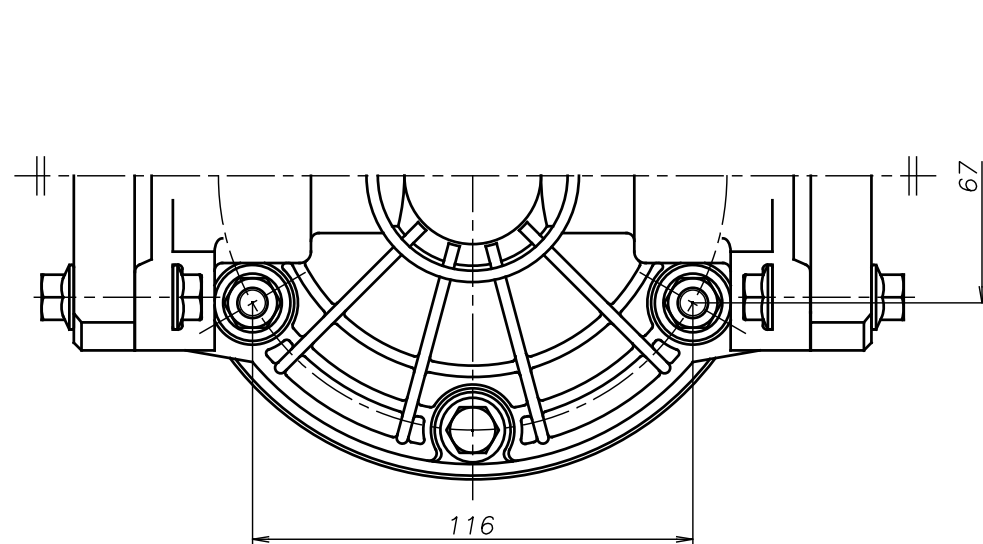
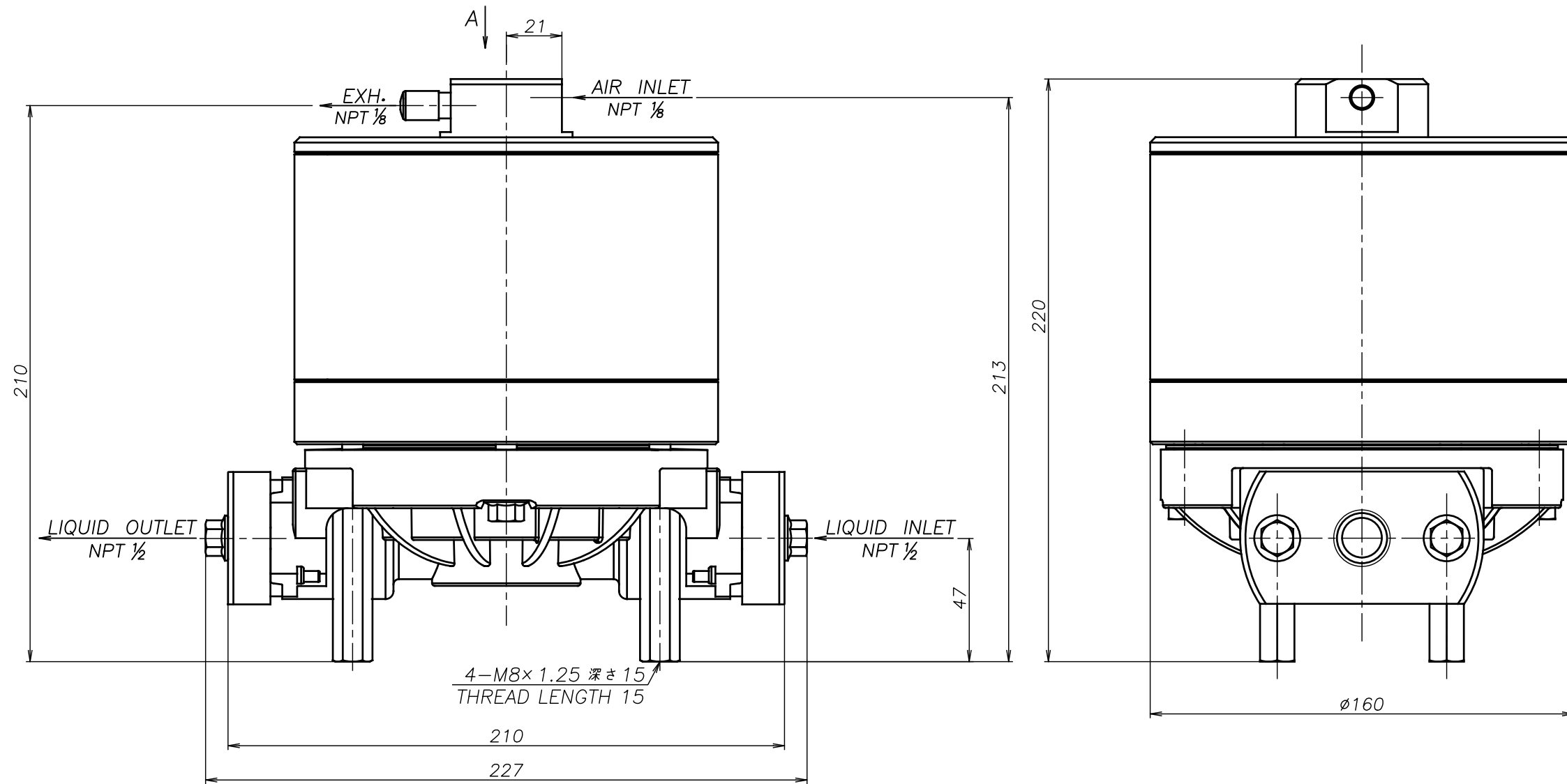


| SYM | DWG.NO | CHANGE NO | DATE | REV'D BY |
|-----|--------|-------------|-----------|----------|
| △ | ALL | 1E0037 | '19. 5.31 | K.Nakada |
| △ | ALL | 1BE005 | '19.10.28 | K.Nakada |
| △ | ALL | 1BE006 異記訂正 | '20. 6.23 | K.Nakada |



△ 注1) AIR INLET, EXH.は ※1 の範囲で固定されています
 △ NOTE:1) AIR INLET & EXH. port are fixed in the range of ※1.

| | | |
|------------|------------------|-------------|
| △CF-X15PSN | THIRD ANG. PROJ. | DWG.NO. |
| | SCALE Free | 1E00176YN-C |
| △CF-X15PHN | THIRD ANG. PROJ. | DWG.NO. |
| | SCALE Free | 1E00175YN-C |
| △CF-X15PTN | THIRD ANG. PROJ. | DWG.NO. |
| | SCALE Free | 1E00174YN-C |
| △CF-X15PNN | THIRD ANG. PROJ. | DWG.NO. |
| | SCALE Free | 1E00173YN-C |

APP'D BY '20. 8.18 S.Murata
 CHECKED BY '20. 8.18 K.Nakano
 DRAWN BY '20. 8.18 K.Nakada

THE DWG. OF:
 ダンパアセンブリ
 DAMPER ASSEMBLY
 △CF-X15PCN
 THIRD ANG. PROJ. DWG.NO.
 SCALE Free 1E00172YN-C

YTS Co., Ltd JAPAN