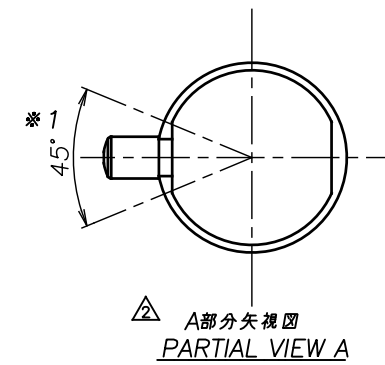
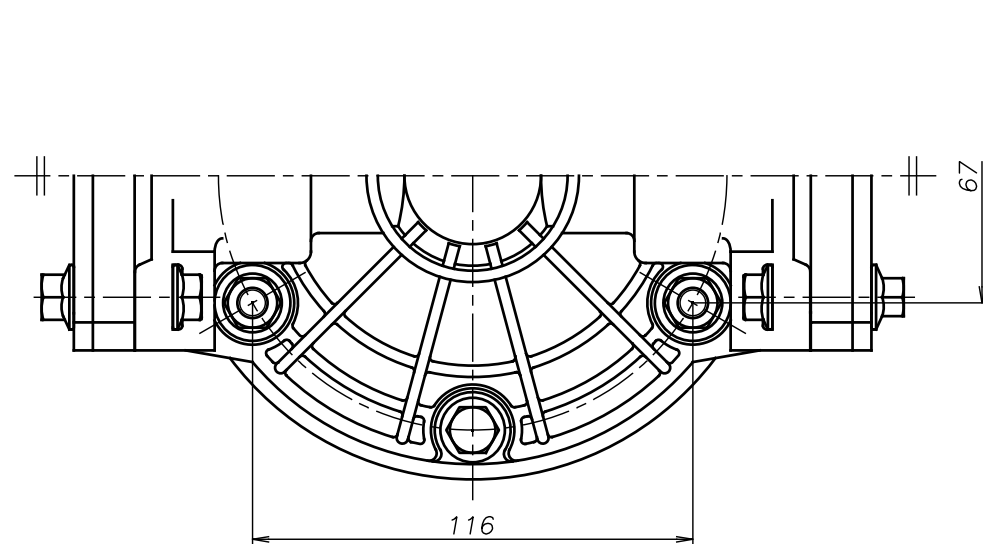
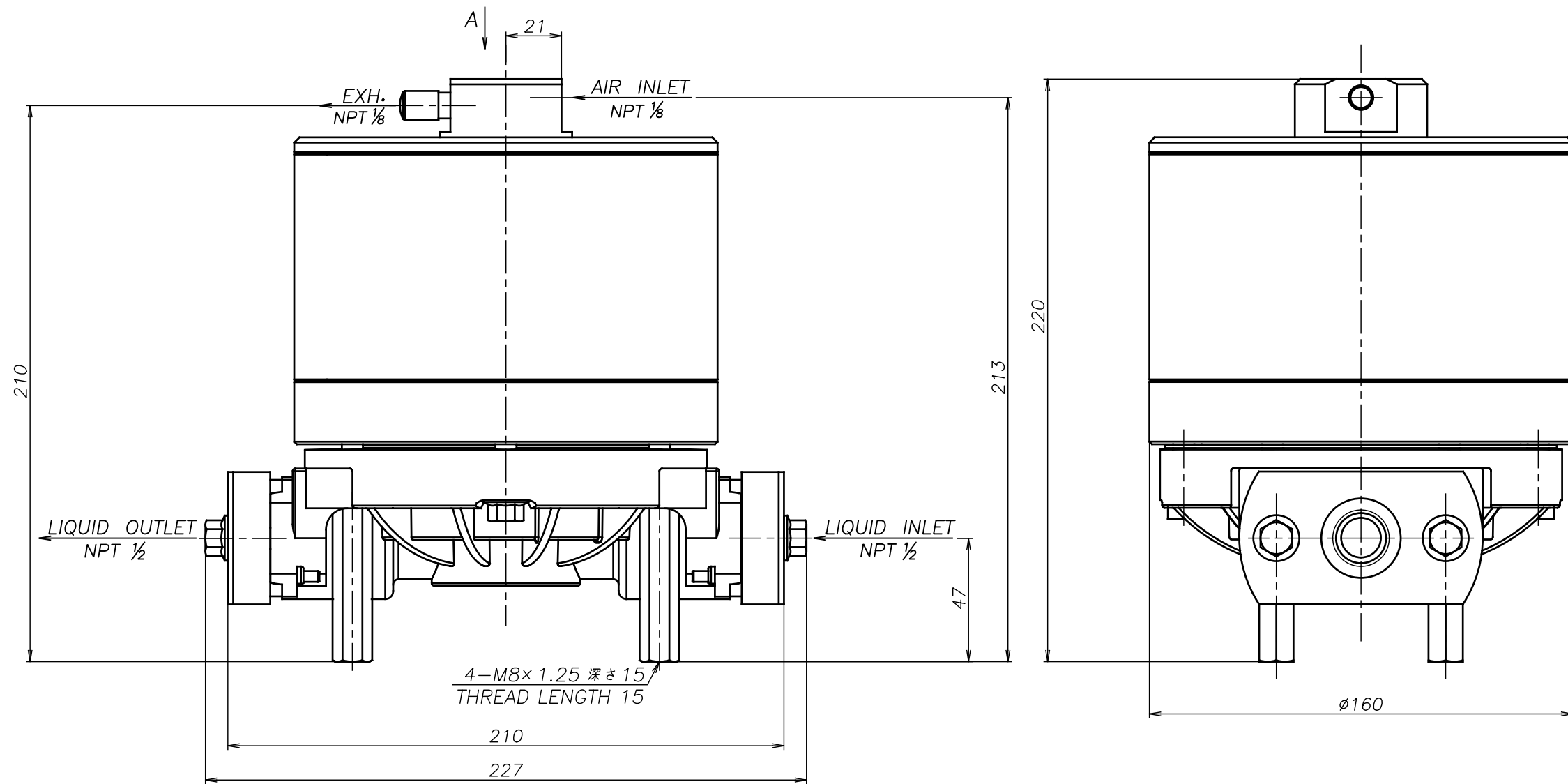


SYM	DWG.NO	CHANGE NO	DATE	REV'D BY
△	ALL	1EE0037	'19. 5.31	K.Nakada
△	ALL	1BE0005	'19.10.28	K.Nakada
△	ALL	1BE0006 異記訂正	'20. 6.23	K.Nakada



△注1) AIR INLET, EXH.は *1 の範囲で固定されています
 △NOTE:1) AIR INLET & EXH. port are fixed in the range of *1.

APP'D BY '20. 8.18 S.Murata
 CHECKED BY '20. 8.18 K.Nakano
 DRAWN BY '20. 8.18 K.Nakada

YTS Co., Ltd JAPAN

△CF-X15VSN	
THIRD ANG. PROJ.	DWG.NO. 1E00178YN-C
SCALE Free	
THE DWG. OF: ダンパ アセンブリ	
DAMPER ASSEMBLY	
△CF-X15VTN	
THIRD ANG. PROJ.	DWG.NO. 1E00177YN-C
SCALE Free	