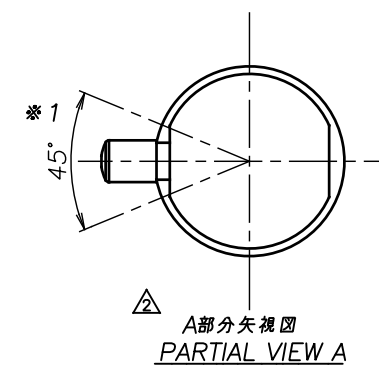
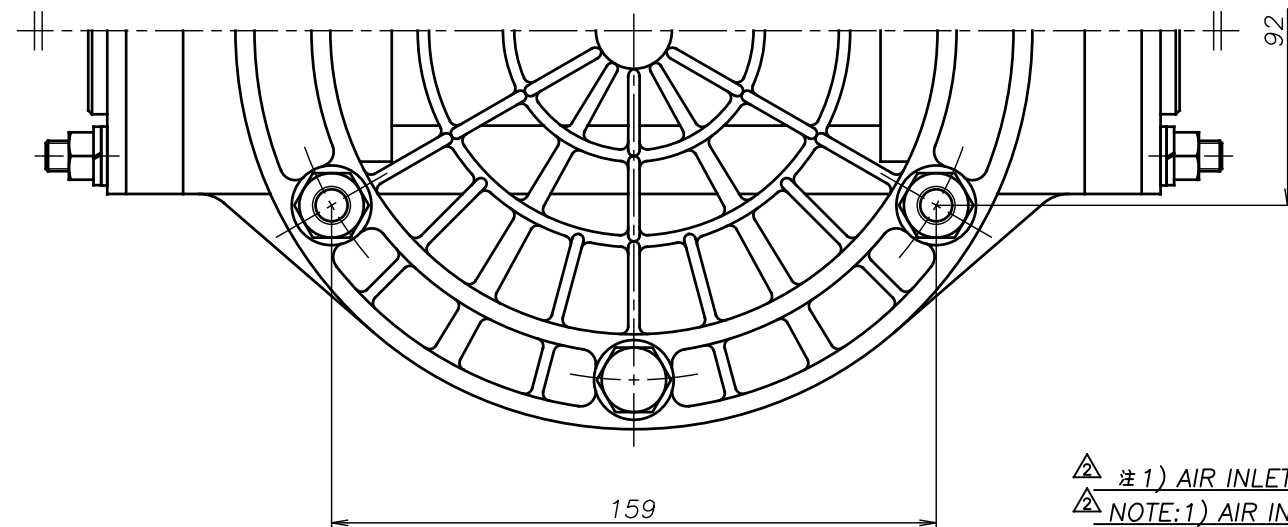
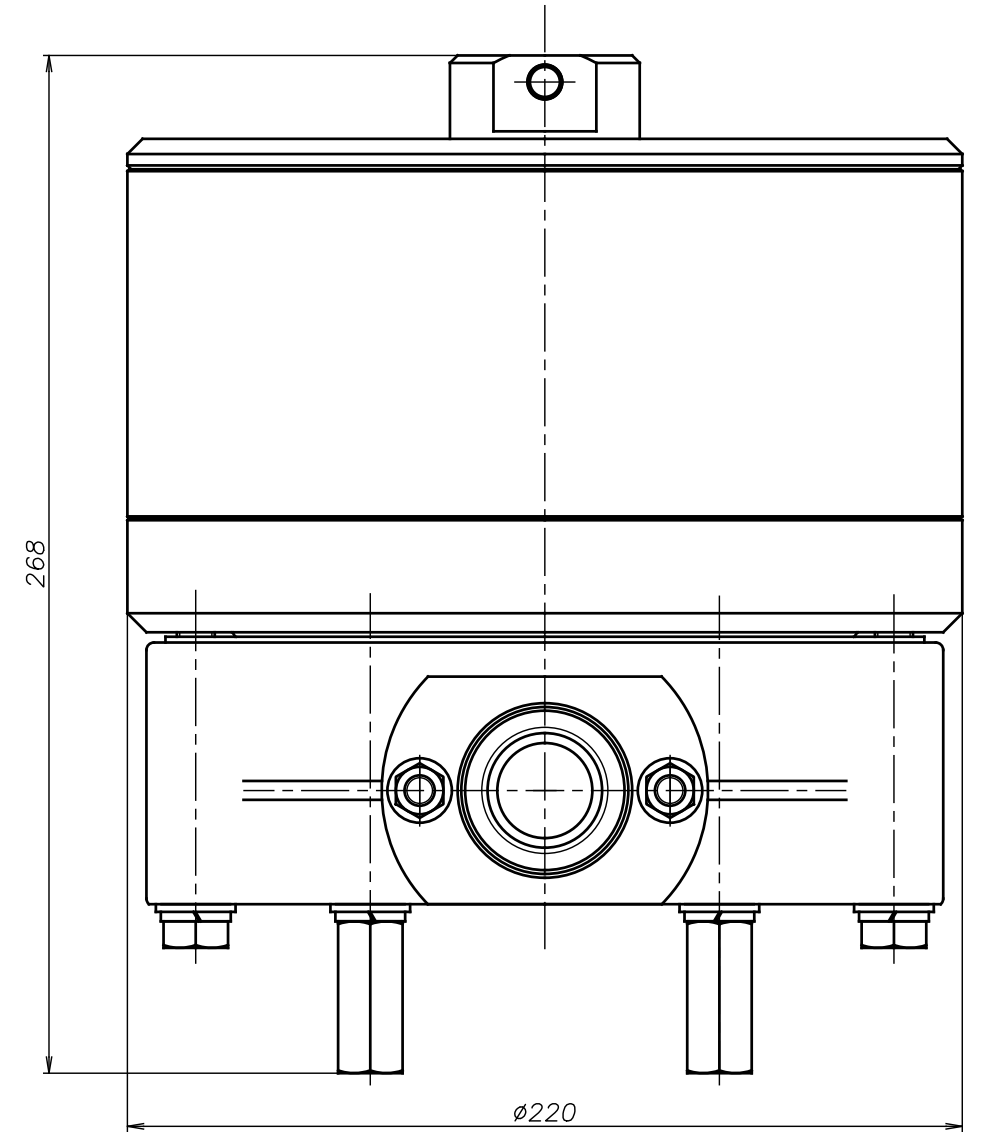
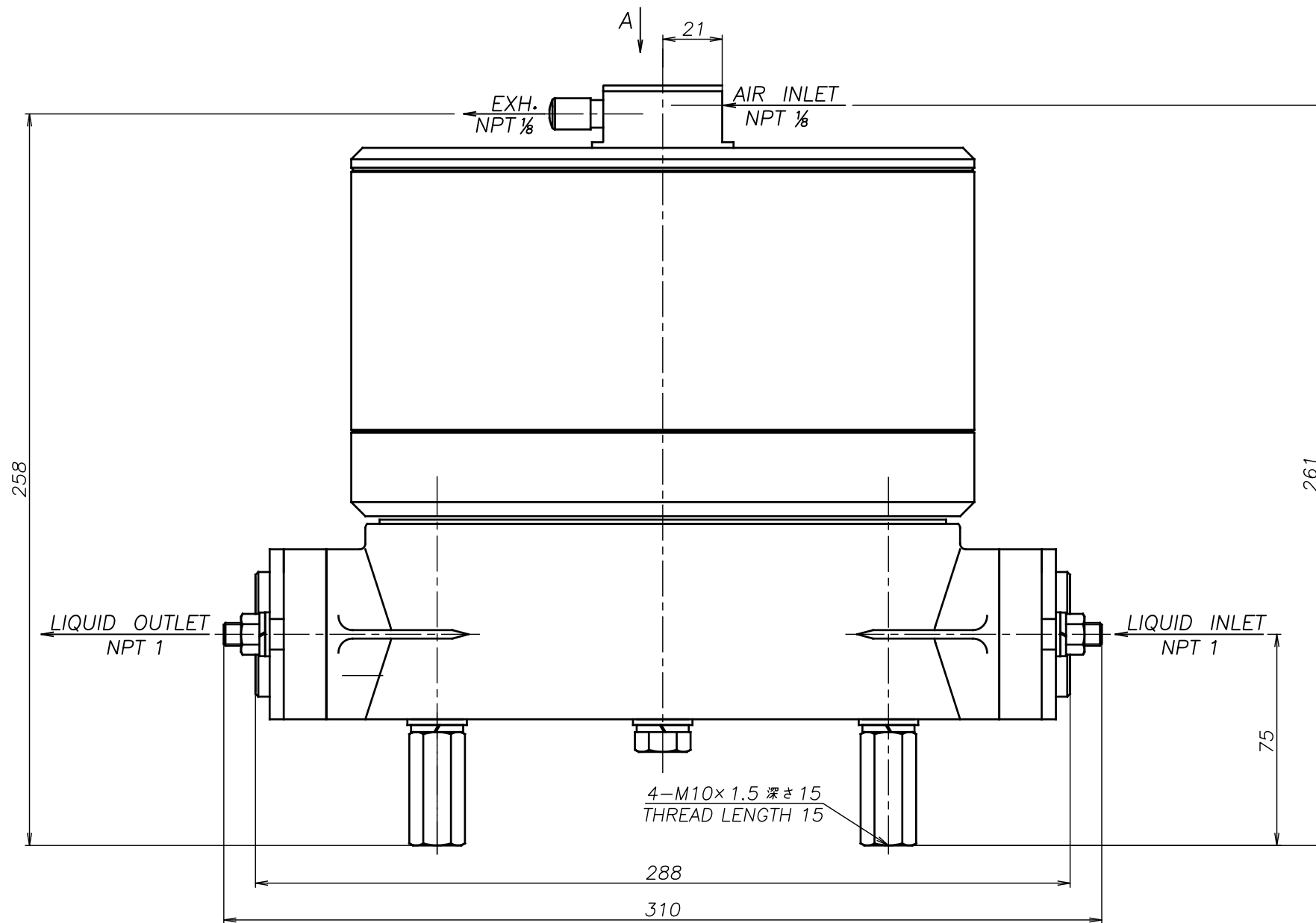


SYM	DWG.NO	CHANGE NO	DATE	REV'D BY
△	ALL	1HE0024	'16. 6.16	S.Murata
△	ALL	1BE0005	'19.10.28	K.Nakada
△	ALL	1BE0006 異記訂正	'20. 6.23	K.Nakada



△ 注1) AIR INLET, EXH.は *1 の範囲で固定されています
 △ NOTE:1) AIR INLET & EXH. port are fixed in the range of *1.

△CF-X25GSN	THIRD ANG. PROJ.	DWG.NO.
	SCALE Free	1H00353YN-C
△CF-X25GHN	THIRD ANG. PROJ.	DWG.NO.
	SCALE Free	1H00352YN-C
△CF-X25GTN	THIRD ANG. PROJ.	DWG.NO.
	SCALE Free	1H00351YN-C
△CF-X25GVN	THIRD ANG. PROJ.	DWG.NO.
	SCALE Free	1H00350YN-C
△CF-X25GEN	THIRD ANG. PROJ.	DWG.NO.
	SCALE Free	1H00349YN-C
△CF-X25GNN	THIRD ANG. PROJ.	DWG.NO.
	SCALE Free	1H00348YN-C
APP'D BY '20. 8.18 S.Murata	THE DWG. OF: ダンパアセンブリ	
CHECKED BY '20. 8.18 K.Nakano	DAMPER ASSEMBLY	
DRAWN BY '20. 8.18 K.Nakada	△CF-X25GCN	
YTS Co., Ltd JAPAN	THIRD ANG. PROJ.	DWG.NO.
	SCALE Free	1H00347YN-C