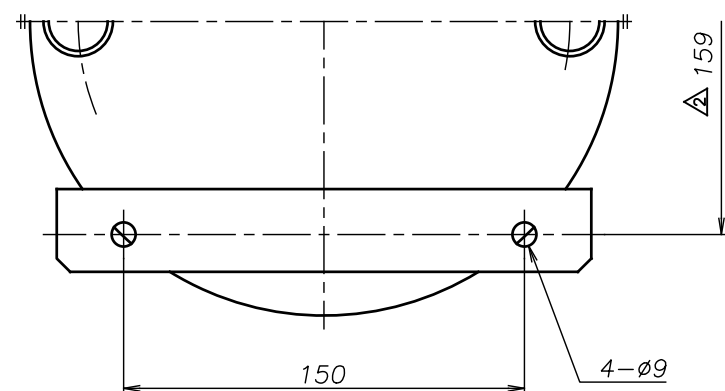
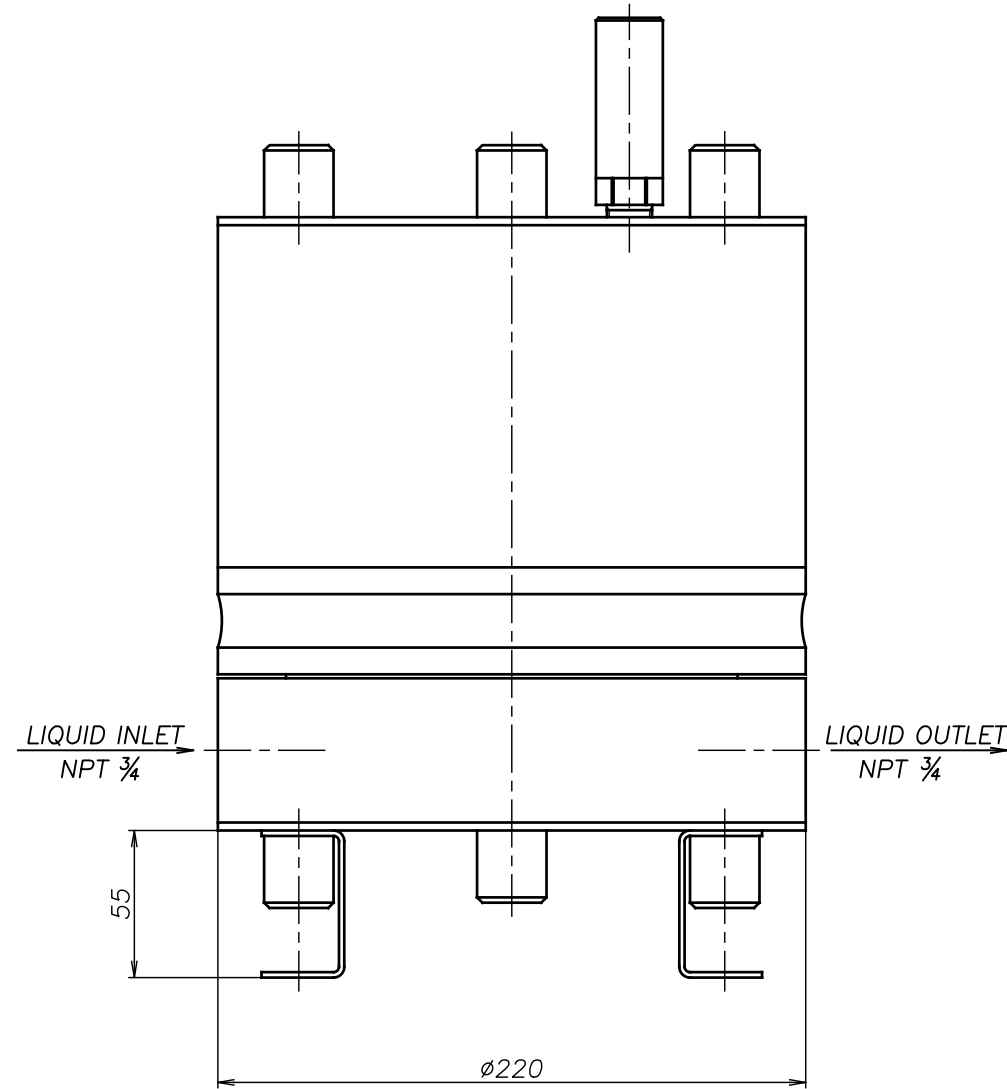
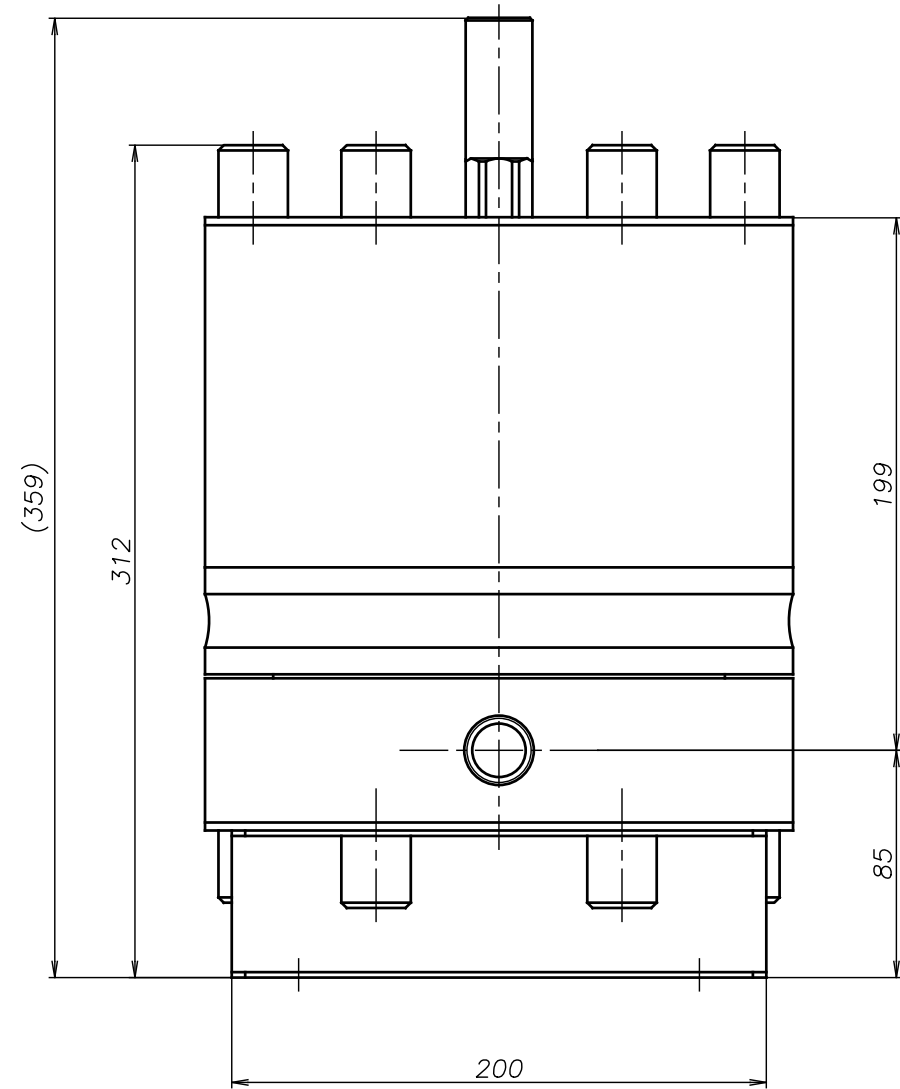
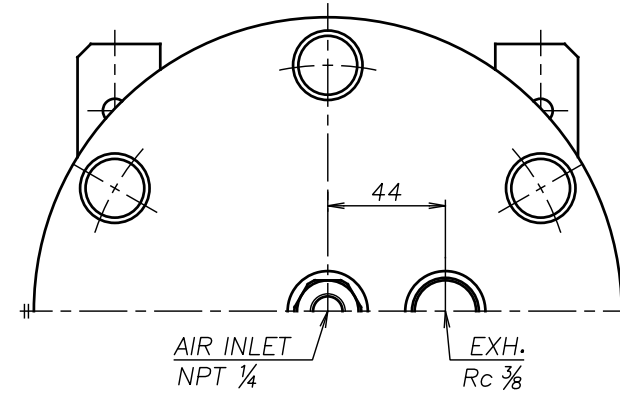


SYM	DWG.NO	CHANGE NO	DATE	REV'D BY
1H0359YN-A	1HE0025		'16. 6.16	S.Murata
△ 1H0359YN-B	1BE0005		'19.10.28	K.Nakada
△ 1H0359YN-C	1BE0006	異記訂正	'20. 6.23	K.Nakada



APP'D BY	'20. 8.18 S.Murata	THE DWG. OF:	ダンパアセンブリ
CHECKED BY	'20. 8.18 K.Nakano	DAMPER ASSEMBLY	
DRAWN BY	'20. 8.18 K.Nakada	△CF-X25HTN	
YTS Co., Ltd JAPAN		THIRD ANG. PROJ.	DWG.NO.
		SCALE Free	1H00359YN-C