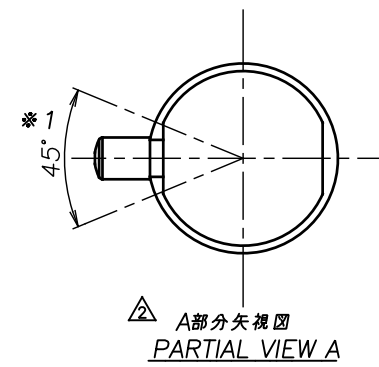
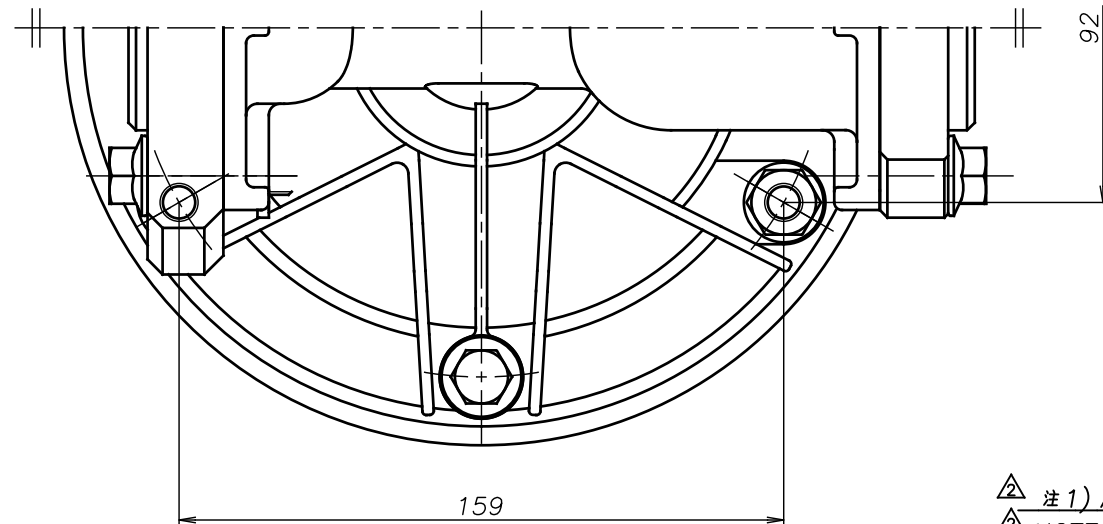
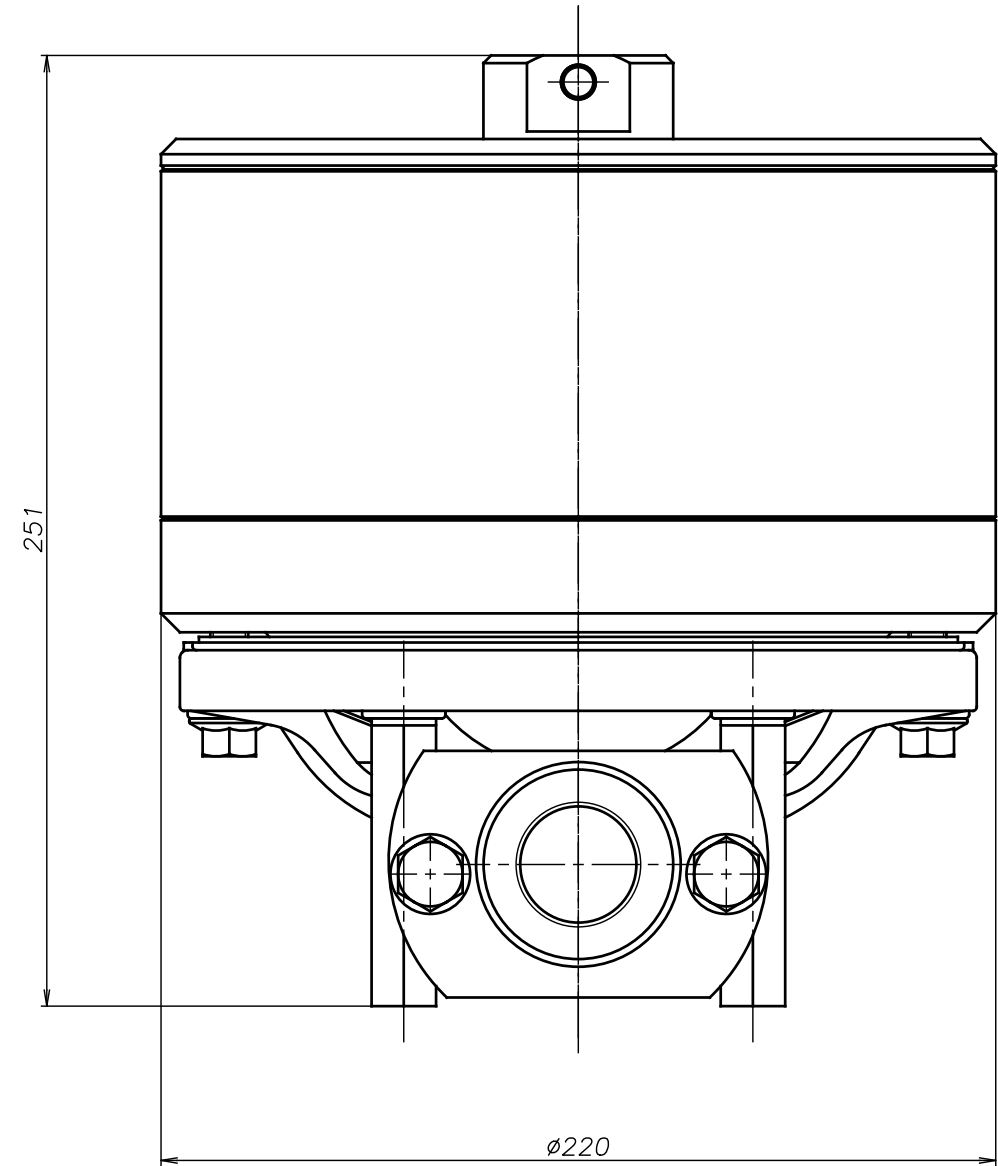
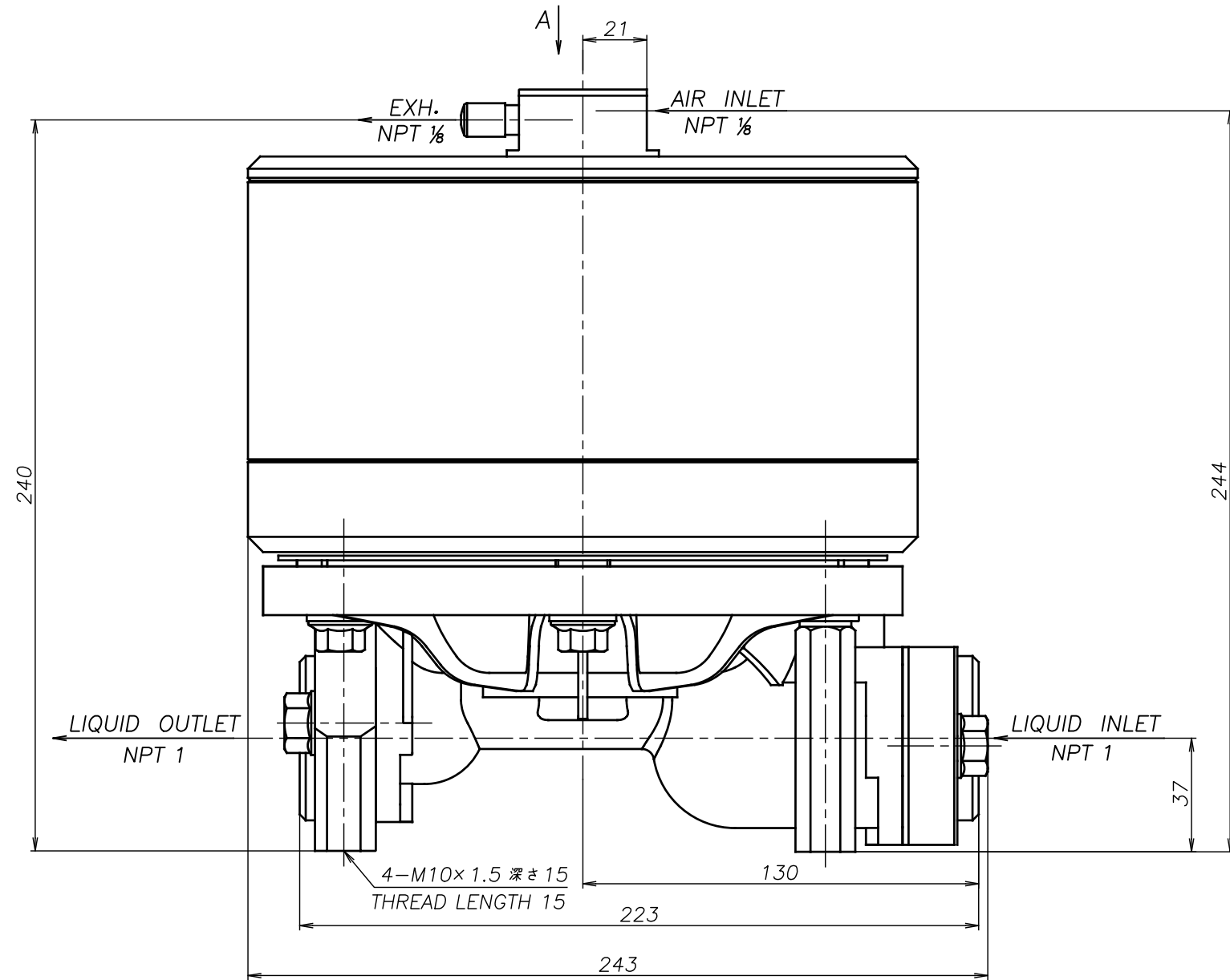


SYM	DWG.NO	CHANGE NO	DATE	REV'D BY
△	ALL	1HE0057	'19. 5.31	K.Nakada
△	ALL	1BE0005	'19.10.28	K.Nakada
△	ALL	1BE0006 異記訂正	'20. 6.23	K.Nakada



△ 注1) AIR INLET, EXH.は *1 の範囲で固定されています
 △ NOTE:1) AIR INLET & EXH. port are fixed in the range of *1.

△CF-X25SSN	THIRD ANG. PROJ.	DWG.NO.	1H00339YN-C
△CF-X25SHN	THIRD ANG. PROJ.	DWG.NO.	1H00338YN-C
△CF-X25STN	THIRD ANG. PROJ.	DWG.NO.	1H00337YN-C
△CF-X25SVN	THIRD ANG. PROJ.	DWG.NO.	1H00336YN-C
△CF-X25SEN	THIRD ANG. PROJ.	DWG.NO.	1H00335YN-C
△CF-X25SNN	THIRD ANG. PROJ.	DWG.NO.	1H00334YN-C
△CF-X25SCN	THIRD ANG. PROJ.	DWG.NO.	1H00333YN-C

APP'D BY '20. 8.18 S.Murata
 CHECKED BY '20. 8.18 K.Nakano
 DRAWN BY '20. 8.18 K.Nakada

THE DWG. OF:
 ダンパアセンブリ
 DAMPER ASSEMBLY
 △CF-X25SCN

YTS Co., Ltd JAPAN

THIRD ANG. PROJ. DWG.NO.
 SCALE Free 1H00333YN-C