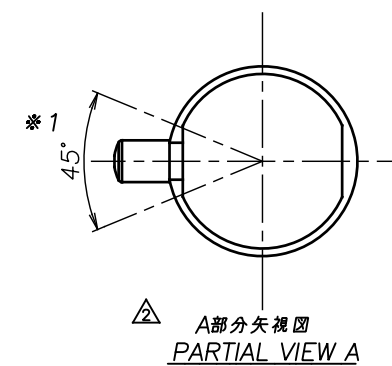
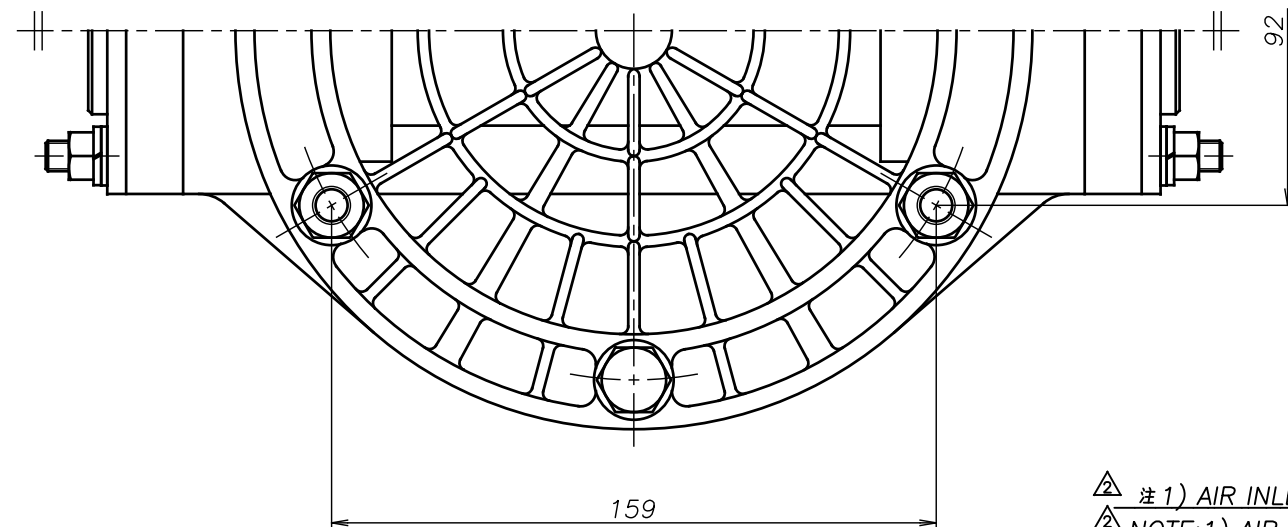
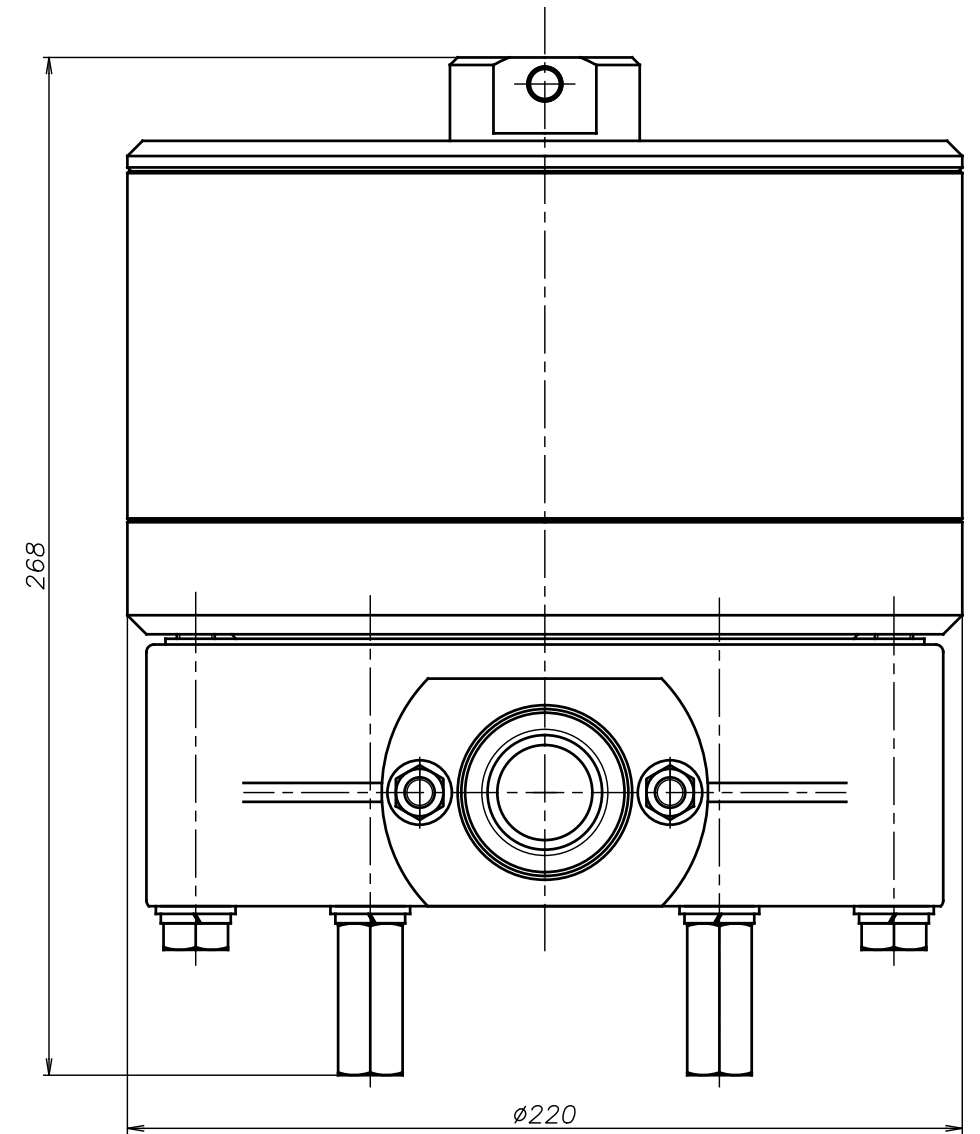
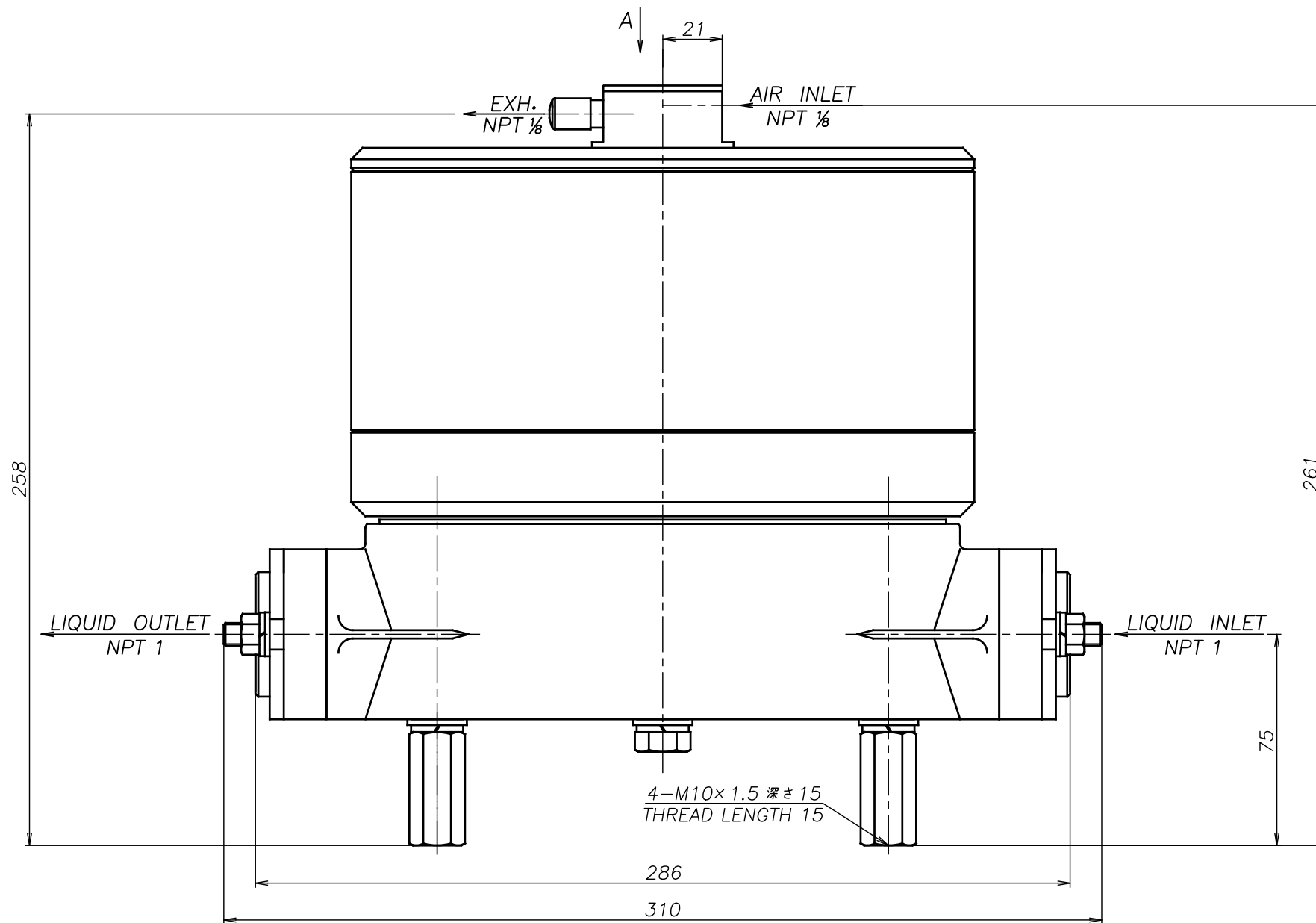


SYM	DWG.NO	CHANGE NO	DATE	REV'D BY
△	ALL	1HE0024	'16. 6.16	S.Murata
△	ALL	1BE0005	'19.10.28	K.Nakada
△	ALL	1BE0006 異記訂正	'20. 6.23	K.Nakada



△ 注1) AIR INLET, EXH.は \*1 の範囲で固定されています  
 △ NOTE:1) AIR INLET & EXH. port are fixed in the range of \*1.

APP'D BY '20. 8.18 S.Murata  
 CHECKED BY '20. 8.18 K.Nakano  
 DRAWN BY '20. 8.18 K.Nakada

**YTS** Co., Ltd JAPAN

△CF-X25VSN	
THIRD ANG. PROJ.	DWG.NO.
SCALE Free	1H00358YN-C
THE DWG. OF: ダンパ アセンブリ	
DAMPER ASSEMBLY	
△CF-X25VTN	
THIRD ANG. PROJ.	DWG.NO.
SCALE Free	1H00356YN-C