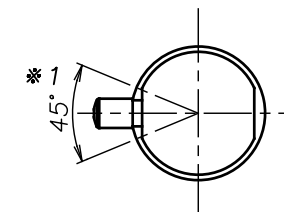
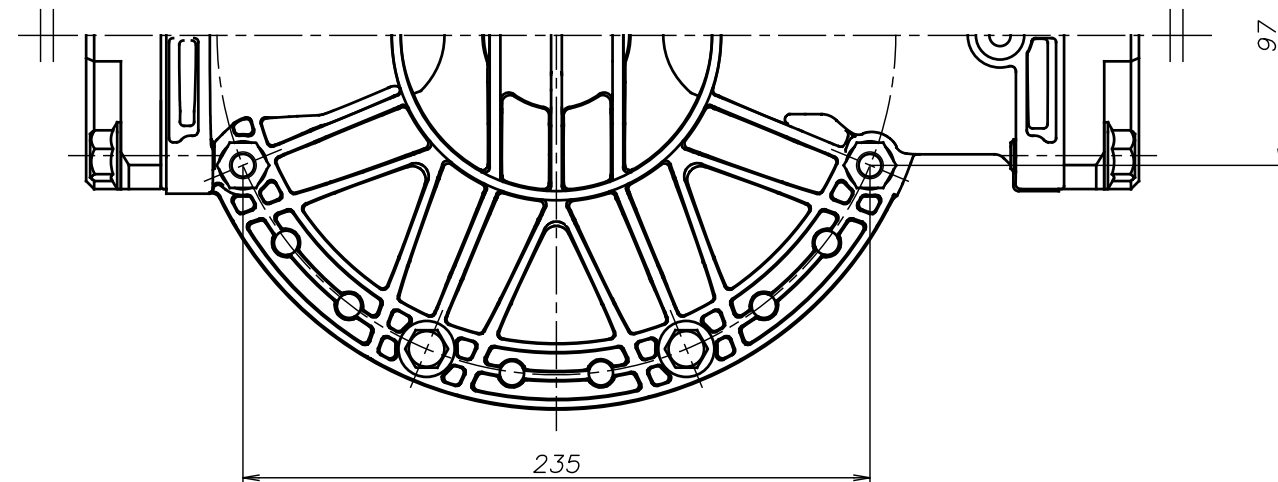
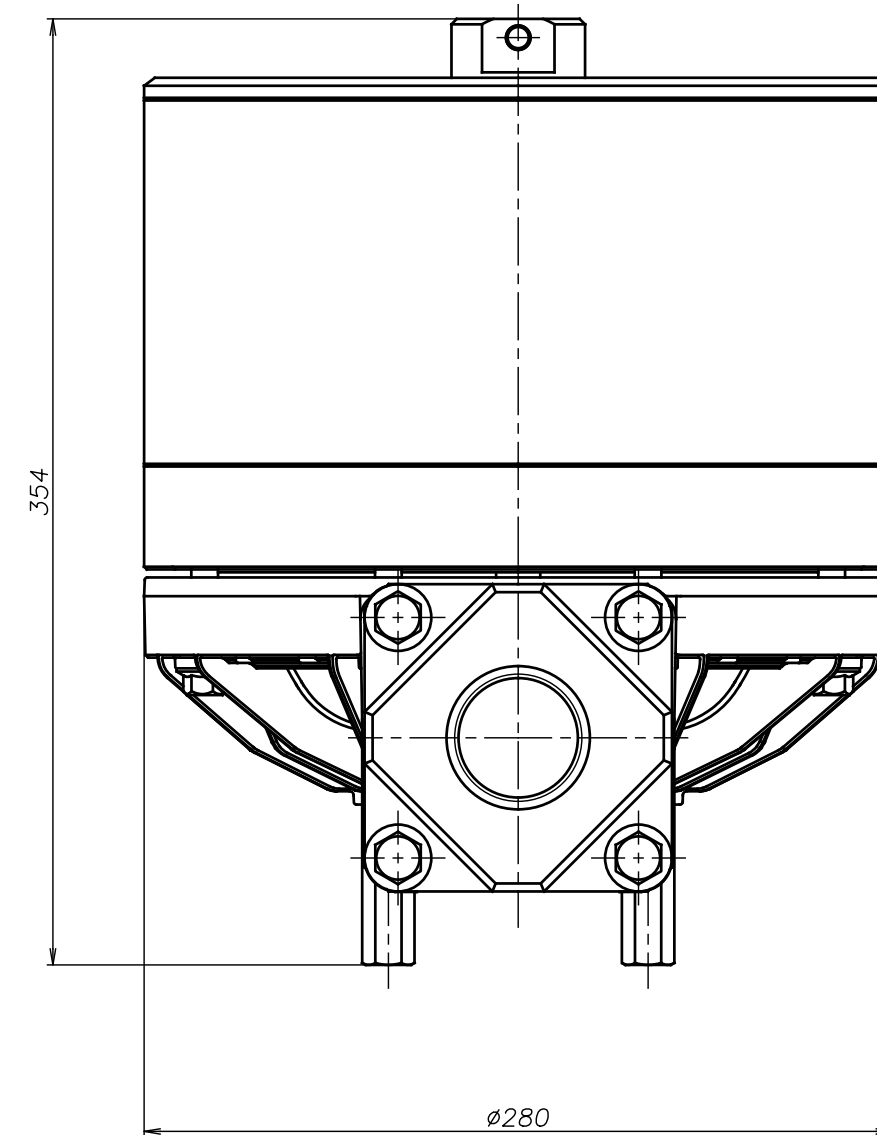
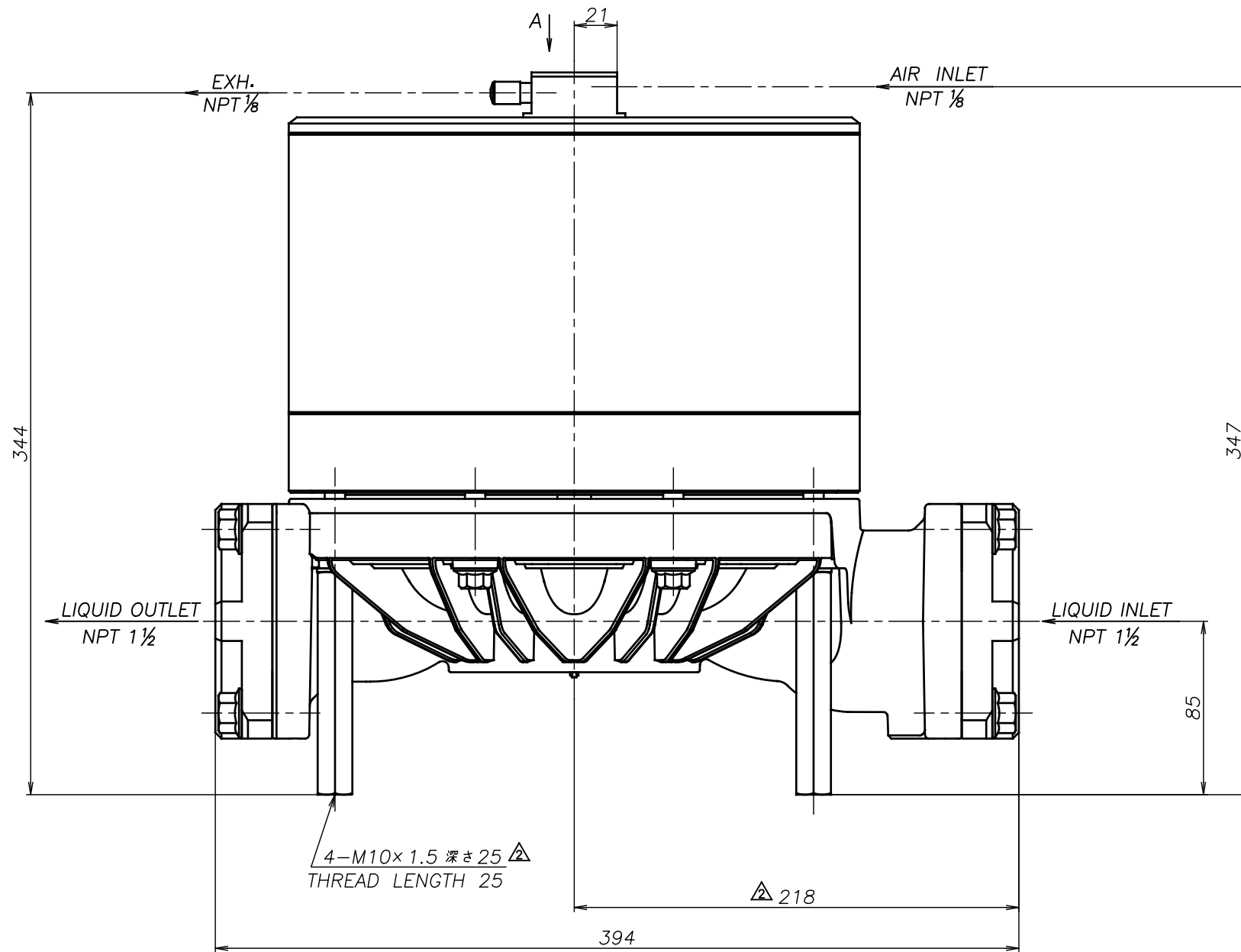


SYM	DWG.NO	CHANGE NO	DATE	REV'D BY
△	ALL	1LE0035	'18. 9. 3	K.Nakada
△	ALL	1BE0005	'19.10.28	K.Nakada
△	ALL	1BE0006 異記訂正	'20. 6.23	K.Nakada



△ 注1) AIR INLET, EXH.は ※1 の範囲で固定されています
 △ NOTE:1) AIR INLET & EXH. port are fixed in the range of ※1.

△CF-X40ASN	THIRD ANG. PROJ.	DWG.NO.
	SCALE Free	1L00343YN-C
△CF-X40AHN	THIRD ANG. PROJ.	DWG.NO.
	SCALE Free	1L00342YN-C
△CF-X40ATN	THIRD ANG. PROJ.	DWG.NO.
	SCALE Free	1L00341YN-C
△CF-X40AVN	THIRD ANG. PROJ.	DWG.NO.
	SCALE Free	1L00340YN-C
△CF-X40AEN	THIRD ANG. PROJ.	DWG.NO.
	SCALE Free	1L00339YN-C
△CF-X40ANN	THIRD ANG. PROJ.	DWG.NO.
	SCALE Free	1L00338YN-C

APP'D BY '20. 8.18 S.Murata
 CHECKED BY '20. 8.18 K.Nakano
 DRAWN BY '20. 8.18 K.Nakada

THE DWG. OF:
 ダンパ アセンブリ
 DAMPER ASSEMBLY
 △CF-X40ACN

YTS Co., Ltd JAPAN

THIRD ANG. PROJ. DWG.NO.
 SCALE Free 1L00337YN-C