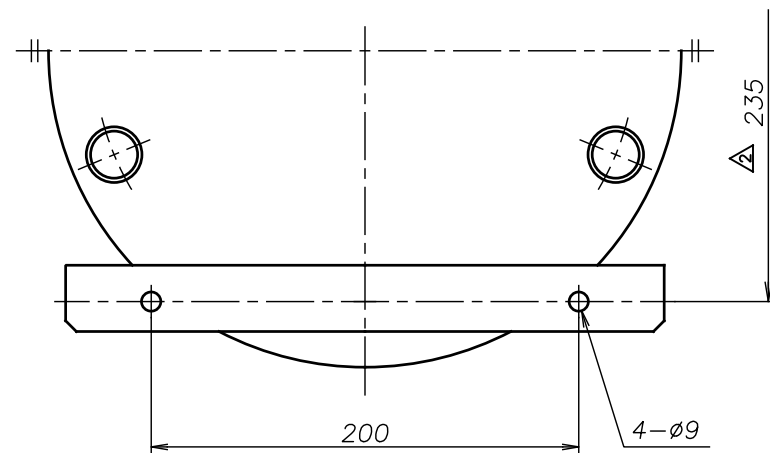
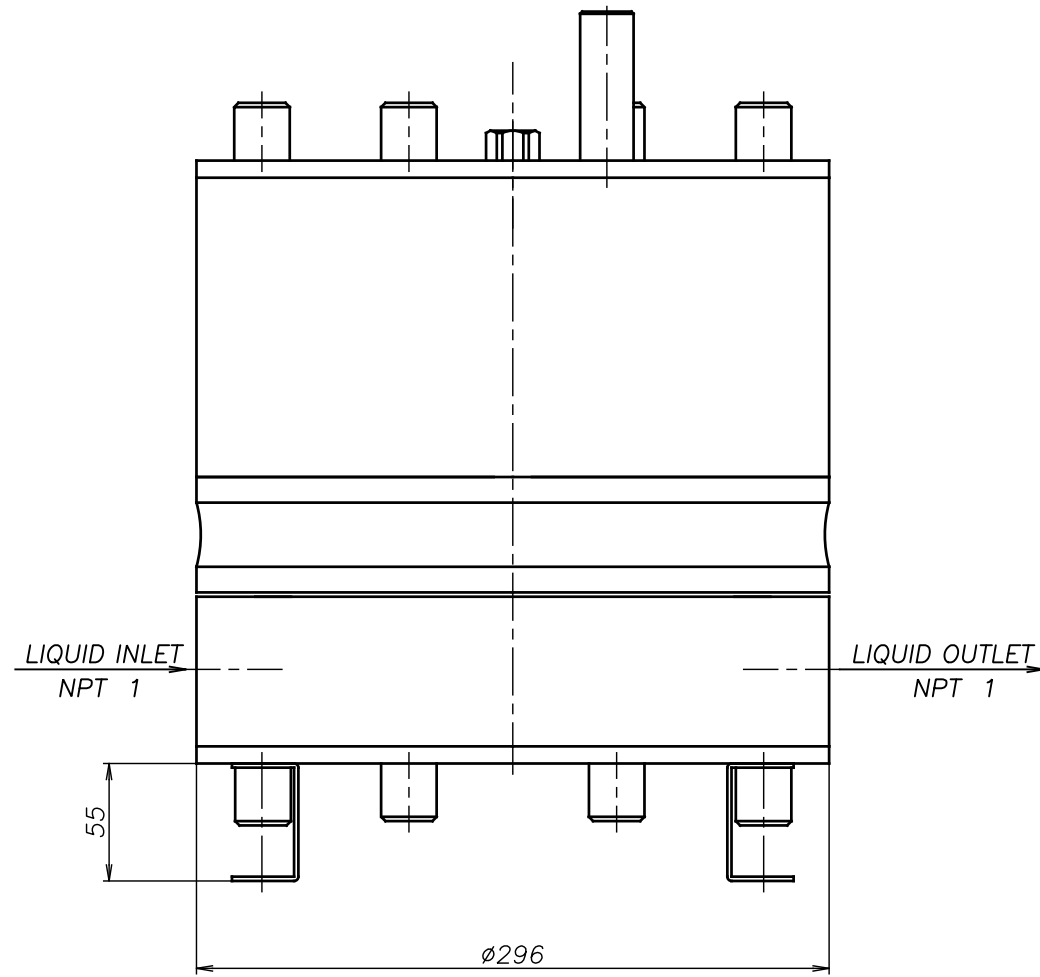
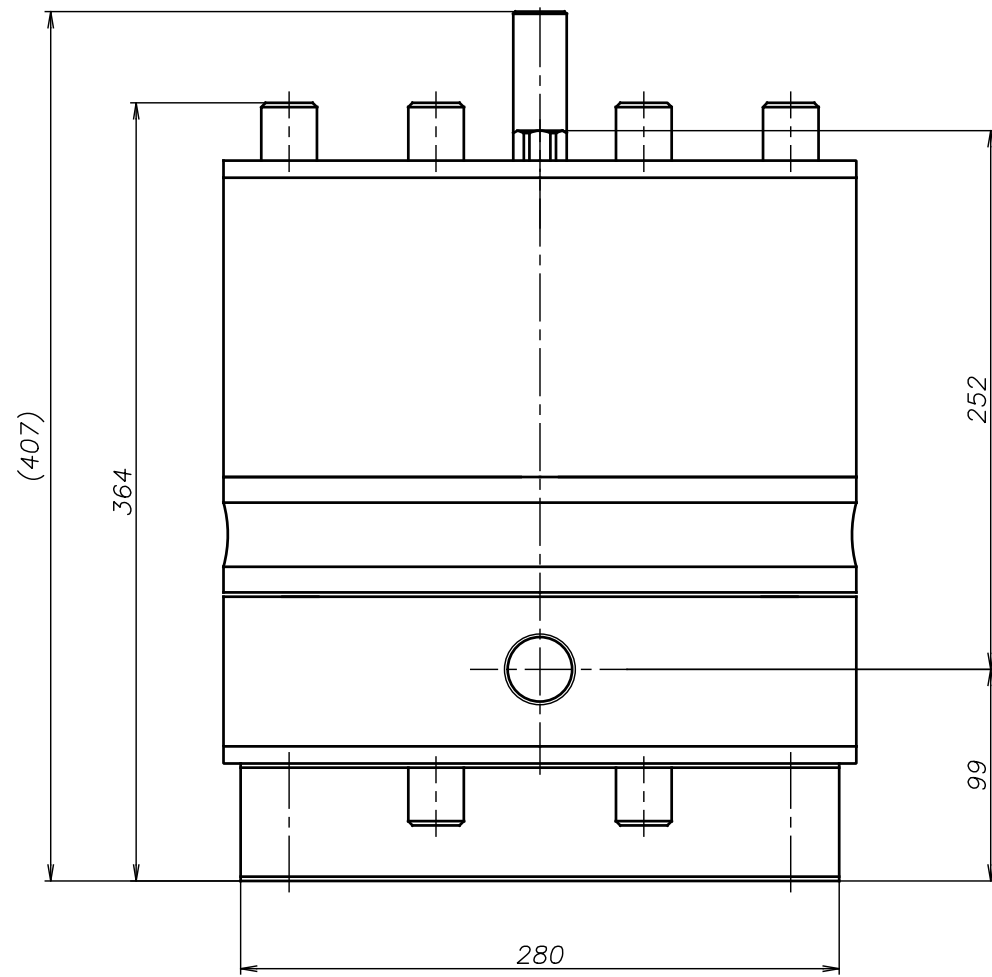
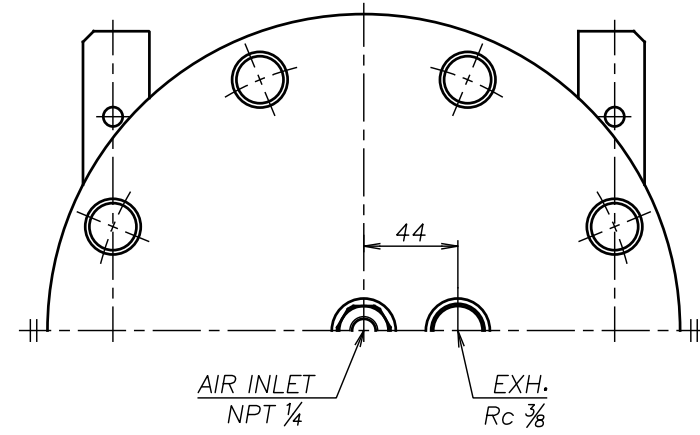


SYM	DWG.NO	CHANGE NO	DATE	REV'D BY
△	1L0058YN-A	1LE0007	'16. 6.16	S.Murata
△	1L0058YN-B	1BE0005	'19.10.28	K.Nakada
△	1L0058YN-C	1BE0006 異記訂正	'20. 6.23	K.Nakada



APP'D BY	'20. 8.18 S.Murata	THE DWG. OF:	ダンパ アセンブリ
CHECKED BY	'20. 8.18 K.Nakano	DAMPER ASSEMBLY	
DRAWN BY	'20. 8.18 K.Nakada	△CF-X40HTN	
YTS Co., Ltd JAPAN		THIRD ANG. PROJ.	DWG.NO.
		SCALE Free	1L00058YN-C