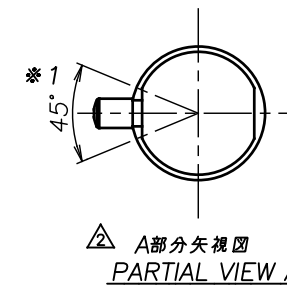
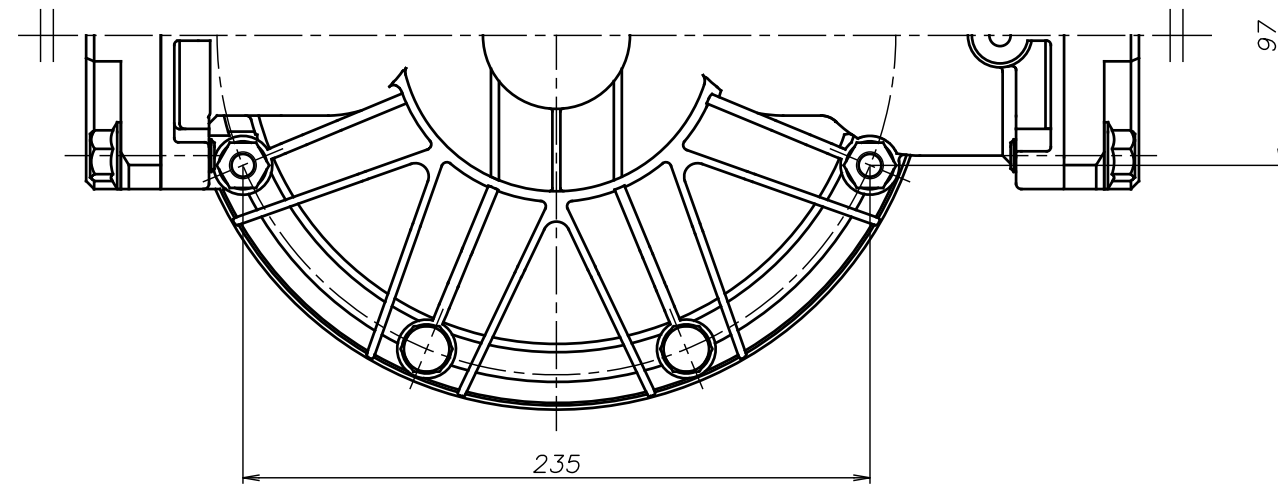
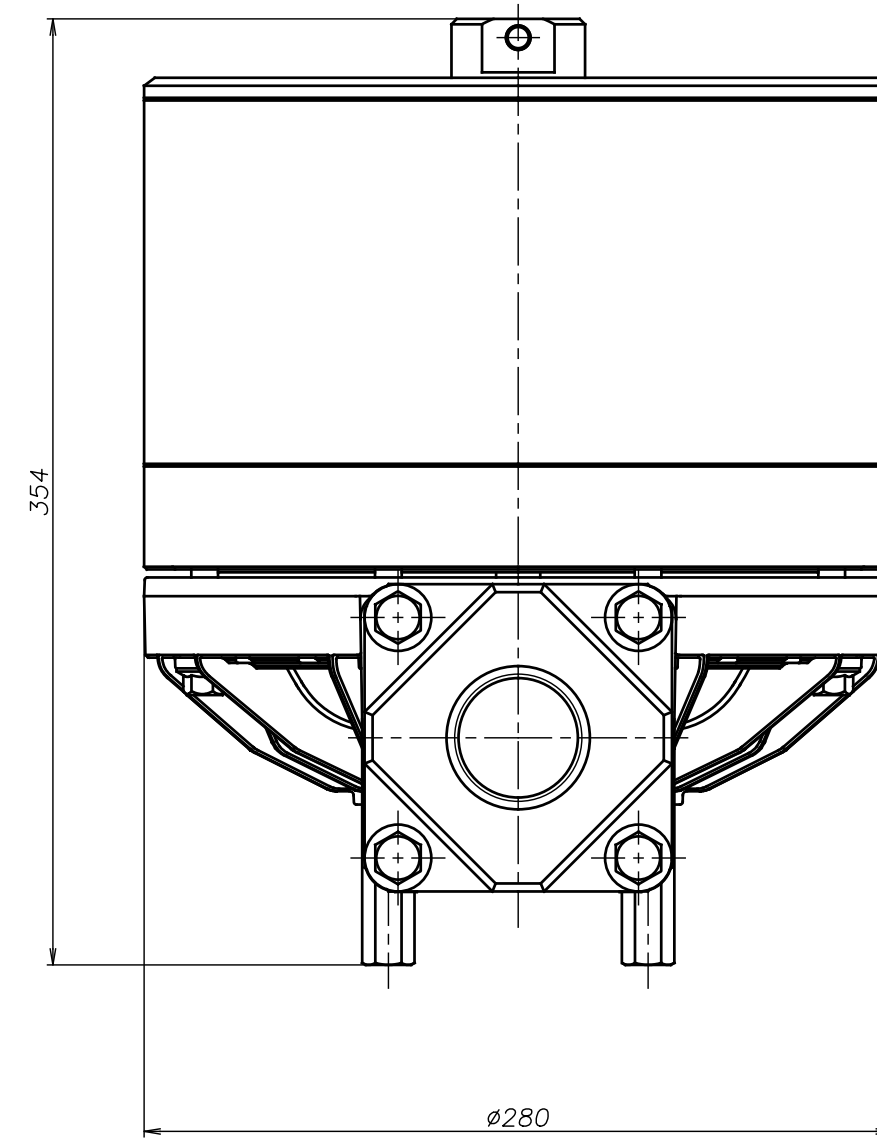
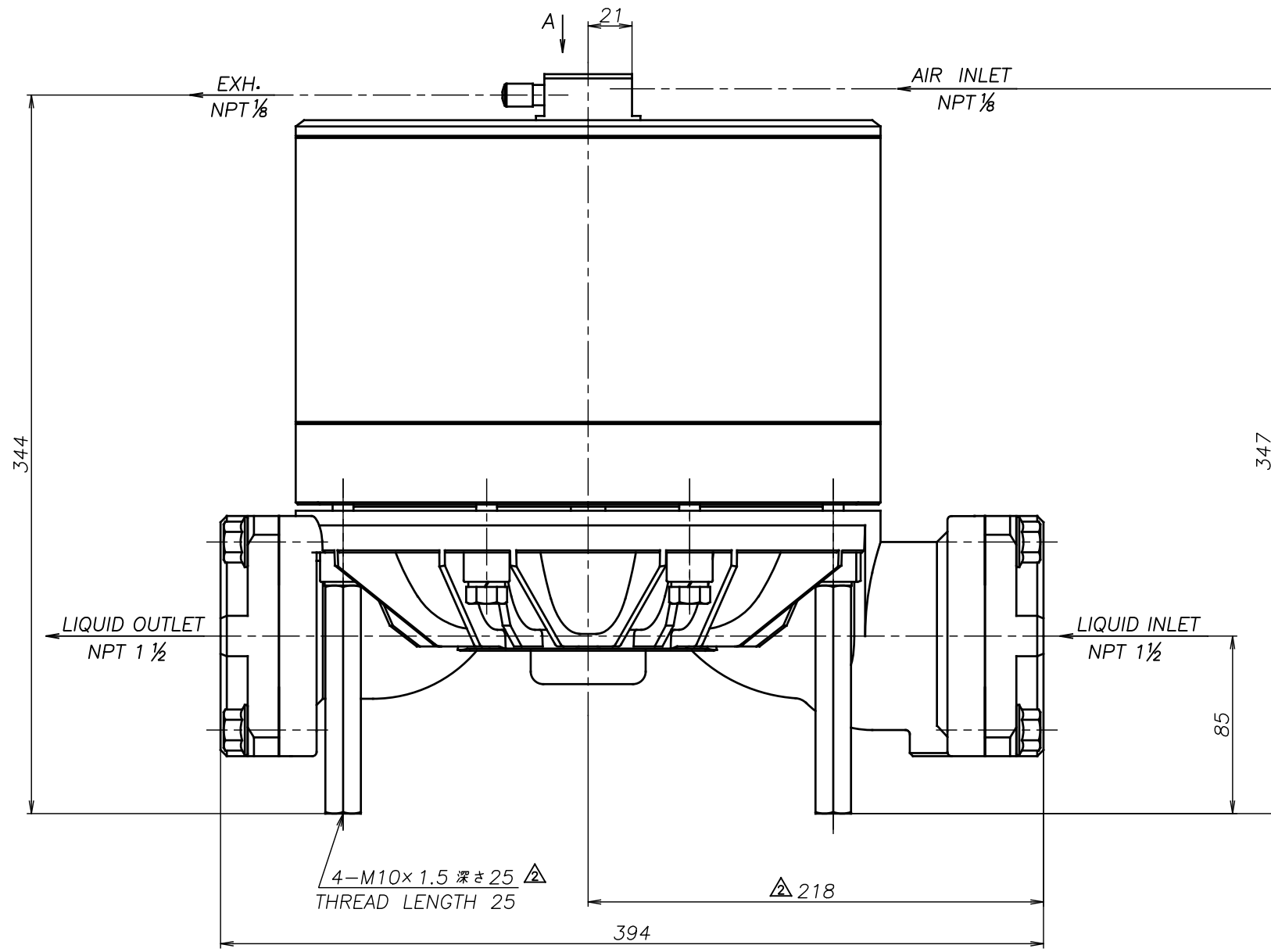


SYM	DWG.NO	CHANGE NO	DATE	REV'D BY
△	ALL	1LE0035	'18. 9. 3	K.Nakada
△	ALL	1BE0005	'19.10.28	K.Nakada
△	ALL	1BE0006 異記訂正	'20. 6.23	K.Nakada



△ 注1) AIR INLET, EXH.は *1 の範囲で固定されています
 △ NOTE:1) AIR INLET & EXH. port are fixed in the range of *1.

△CF-X40SSN	THIRD ANG. PROJ.	DWG.NO.
	SCALE Free	1L00350YN-C
△CF-X40SHN	THIRD ANG. PROJ.	DWG.NO.
	SCALE Free	1L00349YN-C
△CF-X40STN	THIRD ANG. PROJ.	DWG.NO.
	SCALE Free	1L00348YN-C
△CF-X40SVN	THIRD ANG. PROJ.	DWG.NO.
	SCALE Free	1L00347YN-C
△CF-X40SEN	THIRD ANG. PROJ.	DWG.NO.
	SCALE Free	1L00346YN-C
△CF-X40SNN	THIRD ANG. PROJ.	DWG.NO.
	SCALE Free	1L00345YN-C

APP'D BY '20. 8.18 S.Murata
 CHECKED BY '20. 8.18 K.Nakano
 DRAWN BY '20. 8.18 K.Nakada

THE DWG. OF:
 ダンパアセンブリ
 DAMPER ASSEMBLY
 △CF-X40SCN
 THIRD ANG. PROJ. DWG.NO.
 SCALE Free 1L00344YN-C

YTS Co., Ltd JAPAN