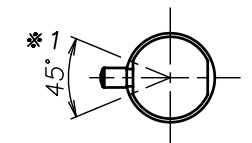
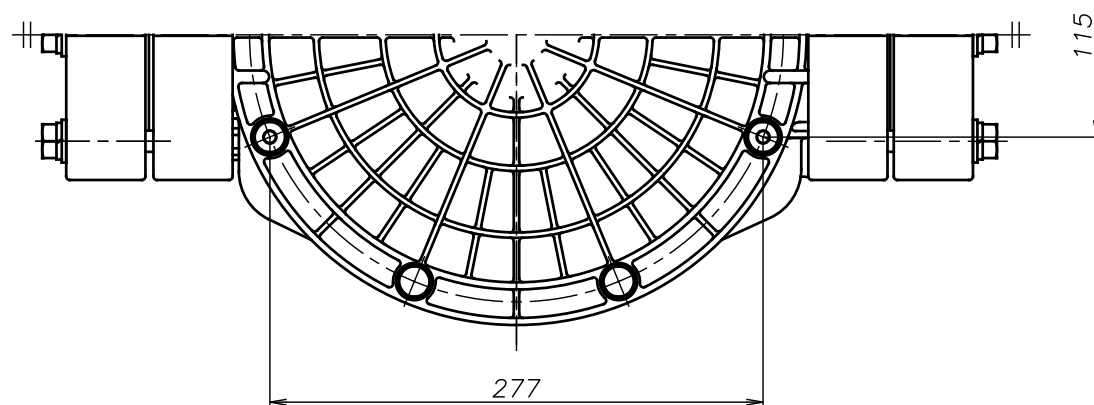
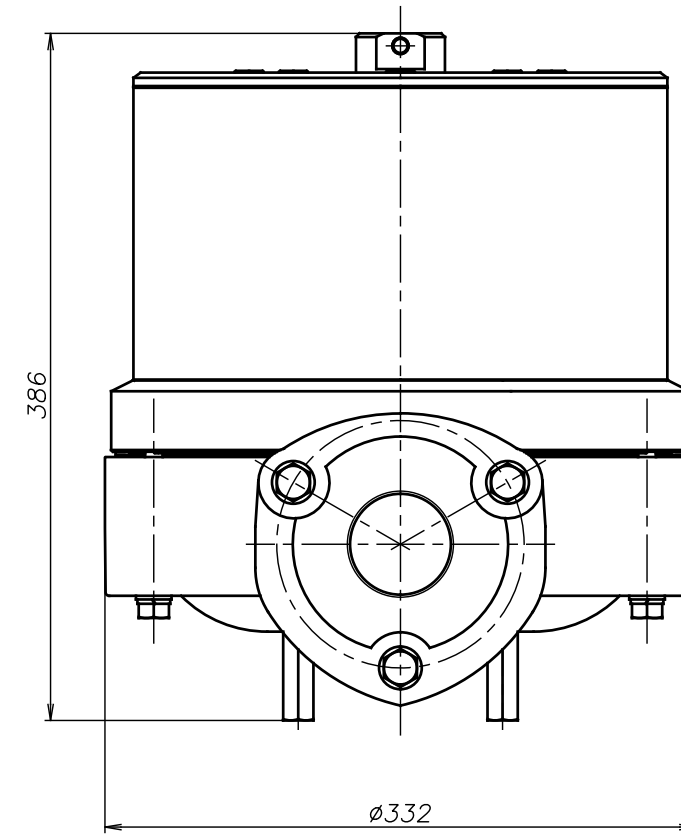
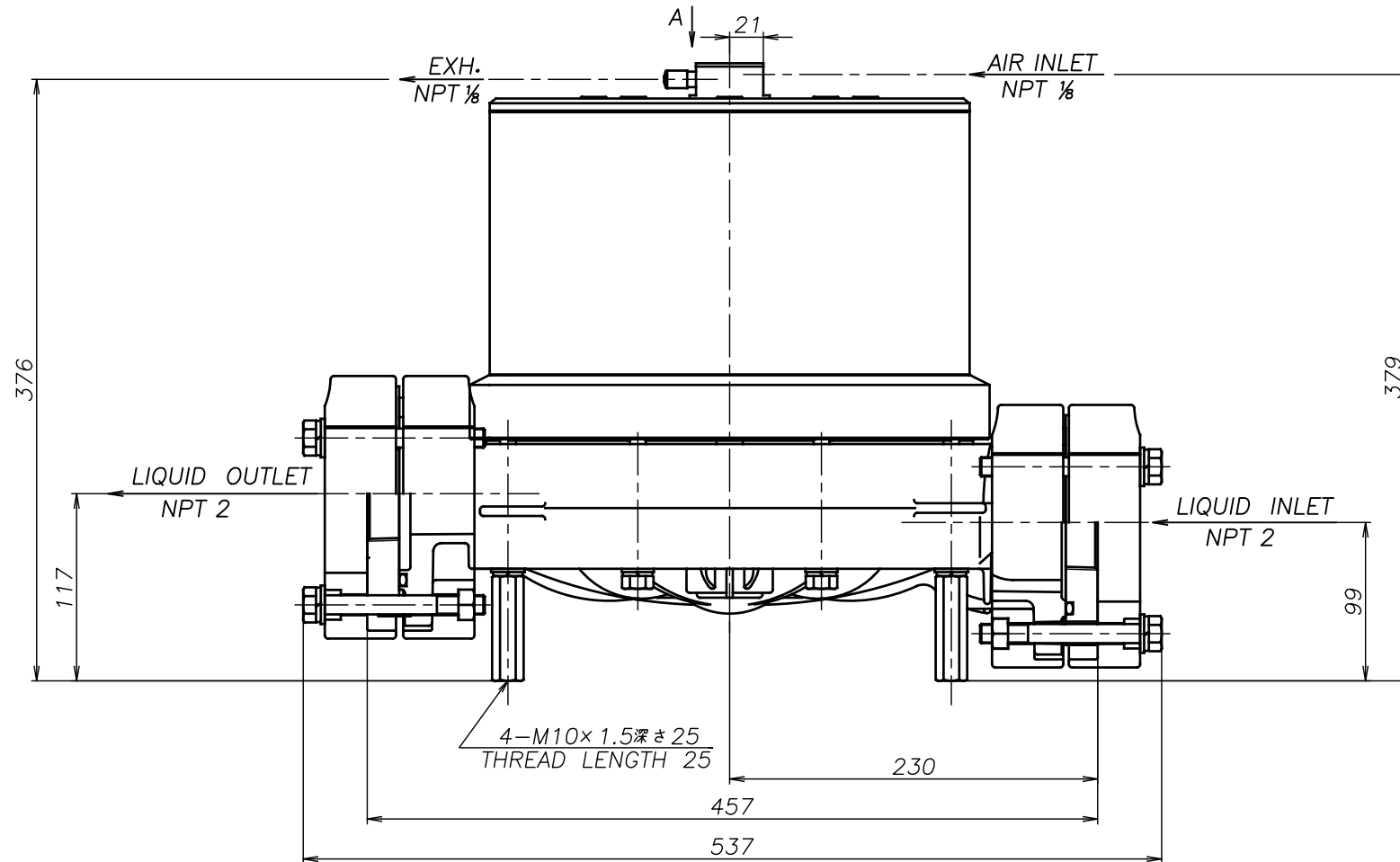


SYM	DWG.NO	CHANGE NO	DATE	REV'D BY
△	ALL	1ME0008	'16. 6.16	S.Murata
△	ALL	1BE0005	'19.10.28	K.Nakada
△	ALL	1BE0006 異記訂正	'20. 6.23	K.Nakada



△ A部分矢視図
PARTIAL VIEW A

△ 注1) AIR INLET, EXH.は ※1 の範囲で固定されています
△ NOTE:1) AIR INLET & EXH. port are fixed in the range of ※1.

△CF-X50GSN	THIRD ANG. PROJ.	DWG.NO.
	Free	1M00305YN-C
△CF-X50GHN	THIRD ANG. PROJ.	DWG.NO.
	Free	1M00304YN-C
△CF-X50GTN	THIRD ANG. PROJ.	DWG.NO.
	Free	1M00303YN-C
△CF-X50GVN	THIRD ANG. PROJ.	DWG.NO.
	Free	1M00302YN-C
△CF-X50GEN	THIRD ANG. PROJ.	DWG.NO.
	Free	1M00301YN-C
△CF-X50GNN	THIRD ANG. PROJ.	DWG.NO.
	Free	1M00300YN-C

APP'D BY '20. 8.18 S.Murata
CHECKED BY '20. 8.18 K.Nakano
DRAWN BY '20. 8.18 K.Nakada

THE DWG. OF:
ダンパ アセンブリ
DAMPER ASSEMBLY
△CF-X50GCN

YTS Co., Ltd JAPAN

THIRD ANG. PROJ. DWG.NO.
SCALE Free 1M00299YN-C