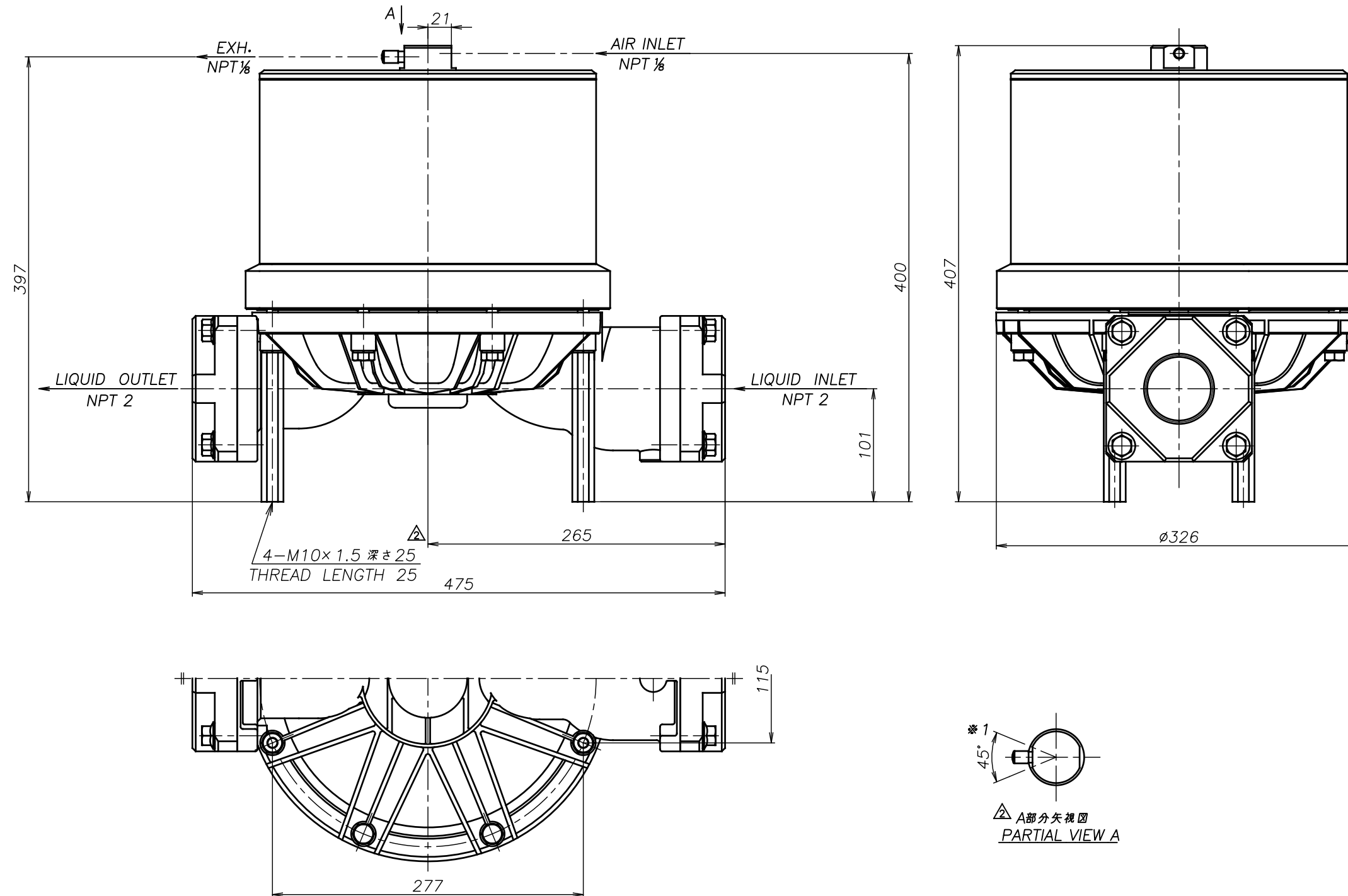


SYM	DWG.NO	CHANGE NO	DATE	REV'D BY
△	ALL	1ME0030	'19. 5.31	K.Nakada
△	ALL	1BE0005	'19.10.28	K.Nakada
△	ALL	1BE0006 異記訂正	'20. 6.23	K.Nakada



△ 注1) AIR INLET, EXH.は \*1 の範囲で固定されています  
 △ NOTE:1) AIR INLET & EXH. port are fixed in the range of \*1.

△CF-X50SSN	THIRD ANG. PROJ.	DWG.NO.
	SCALE Free	1M00291YN-C
△CF-X50SHN	THIRD ANG. PROJ.	DWG.NO.
	SCALE Free	1M00290YN-C
△CF-X50STN	THIRD ANG. PROJ.	DWG.NO.
	SCALE Free	1M00289YN-C
△CF-X50SVN	THIRD ANG. PROJ.	DWG.NO.
	SCALE Free	1M00288YN-C
△CF-X50SEN	THIRD ANG. PROJ.	DWG.NO.
	SCALE Free	1M00287YN-C
△CF-X50SNN	THIRD ANG. PROJ.	DWG.NO.
	SCALE Free	1M00286YN-C

APP'D BY '20. 8.18 S.Murata  
 CHECKED BY '20. 8.18 K.Nakano  
 DRAWN BY '20. 8.18 K.Nakada

THE DWG. OF:  
 ダンパアセンブリ  
 DAMPER ASSEMBLY  
 △CF-X50SCN  
 THIRD ANG. PROJ. DWG.NO.  
 SCALE Free 1M00285YN-C

**YTS** Co., Ltd JAPAN