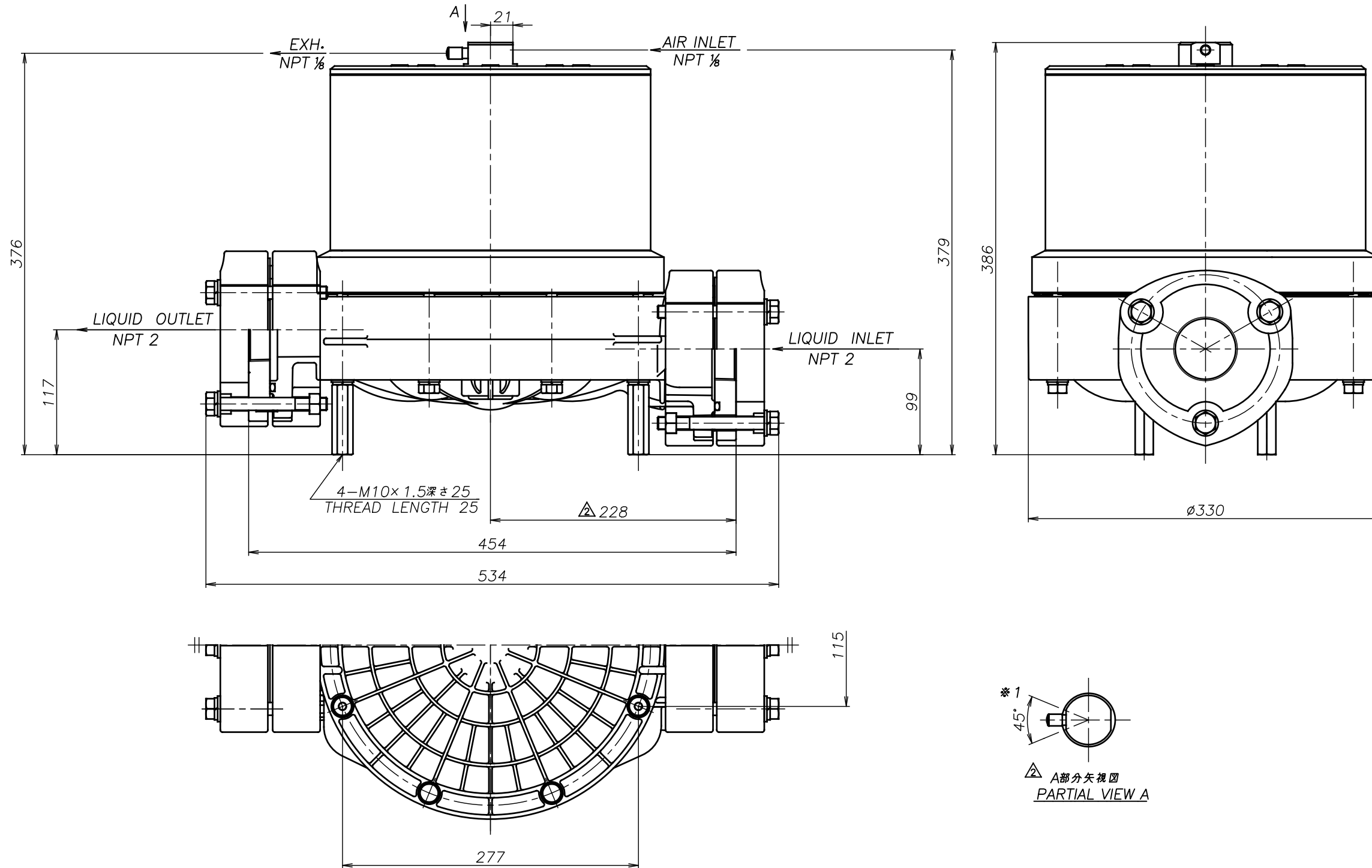


SYM	DWG.NO	CHANGE NO	DATE	REV'D BY
△	ALL	1ME0008	'16. 6.16	S.Murata
△	ALL	1BE0005	'19.10.28	K.Nakada
△	ALL	1BE0006 異記訂正	'20. 6.23	K.Nakada



△ 注1) AIR INLET, EXH.は *1 の範囲で固定されています
 △ NOTE:1) AIR INLET & EXH. port are fixed in the range of *1.

△CF-X50VSN	
THIRD ANG. PROJ.	DWG.NO.
SCALE Free	1M00310YN-C
APP'D BY '20. 8.18 S.Murata	THE DWG. OF:
CHECKED BY '20. 8.18 K.Nakano	ダンパ アセンブリ
DRAWN BY '20. 8.18 K.Nakada	DAMPER ASSEMBLY
	△CF-X50VTN
THIRD ANG. PROJ.	DWG.NO.
SCALE Free	1M00308YN-C
YTS Co., Ltd JAPAN	