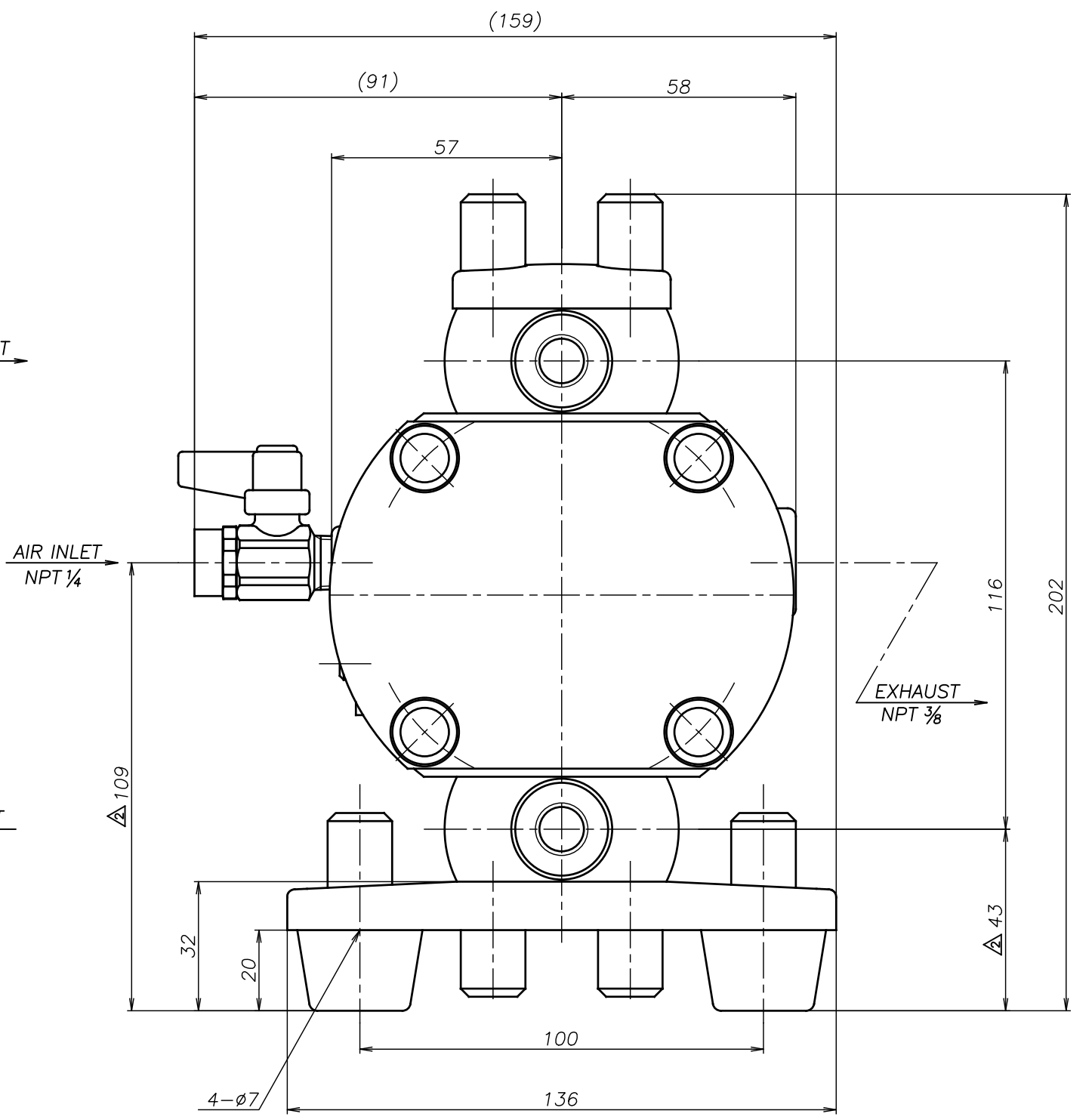
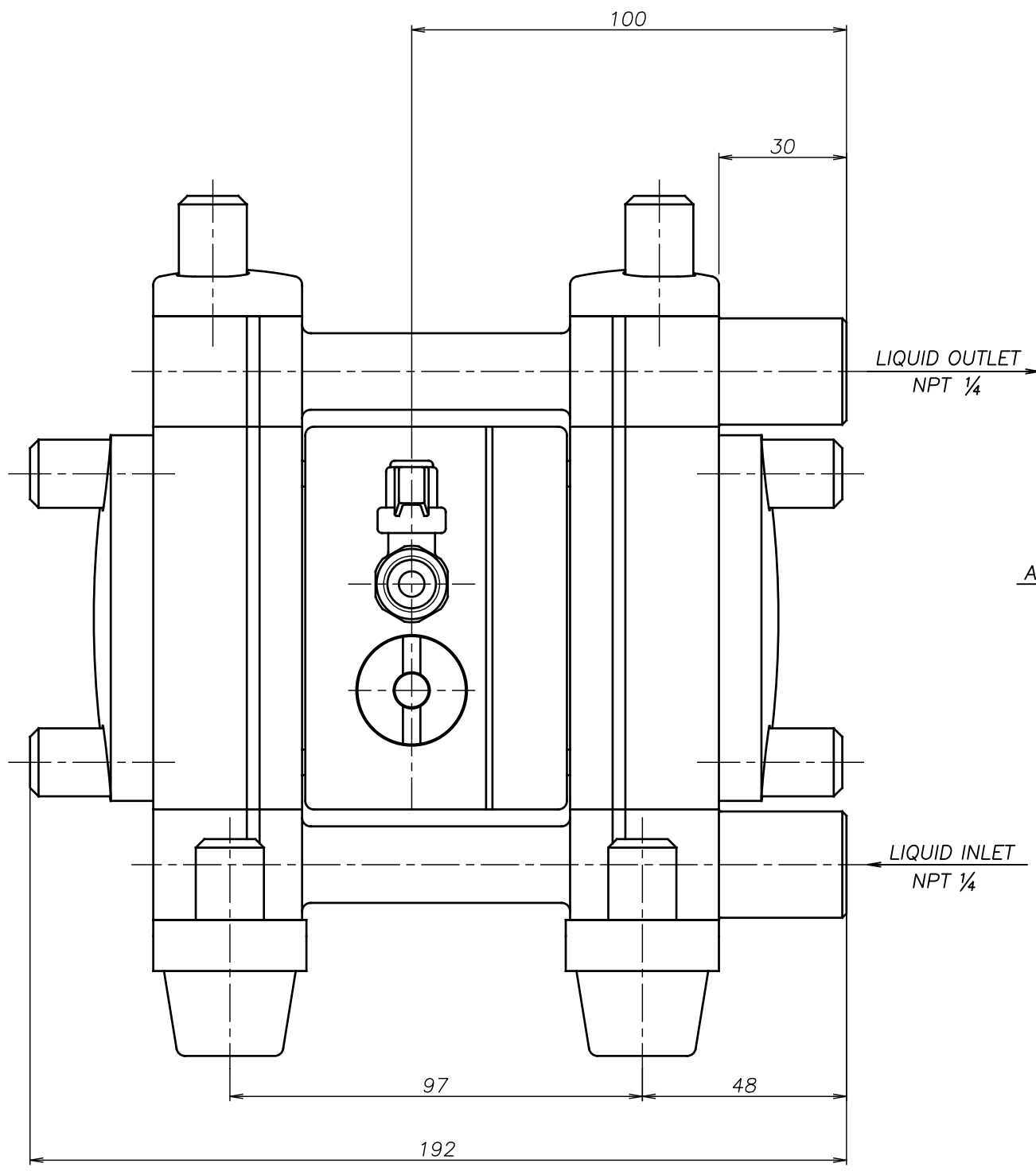


SYM	DWG.NO	CHANGE NO	DATE	REV'D BY
1B00008YN-A	1BE0002		'14.04.08	K.Nakada
1B00008YN-B	1BE0005		'19.10.28	K.Nakada
1B00008YN-C	1BE0006	異記訂正	'20. 6.23	K.Nakada



APP'D BY	'20. 8.18 S.Murata	THE DWG. OF:	ダイアフラムポンプアセンブリ
CHECKED BY	'20. 8.18 K.Nakano	DIAPHRAGM PUMP ASSEMBLY	
DRAWN BY	'20. 8.18 K.Nakada	TC-X030HTN	
<b>YTS</b> Co., Ltd JAPAN		THIRD ANG. PROJ.	DWG.NO.
		SCALE Free	1B00008YN-C