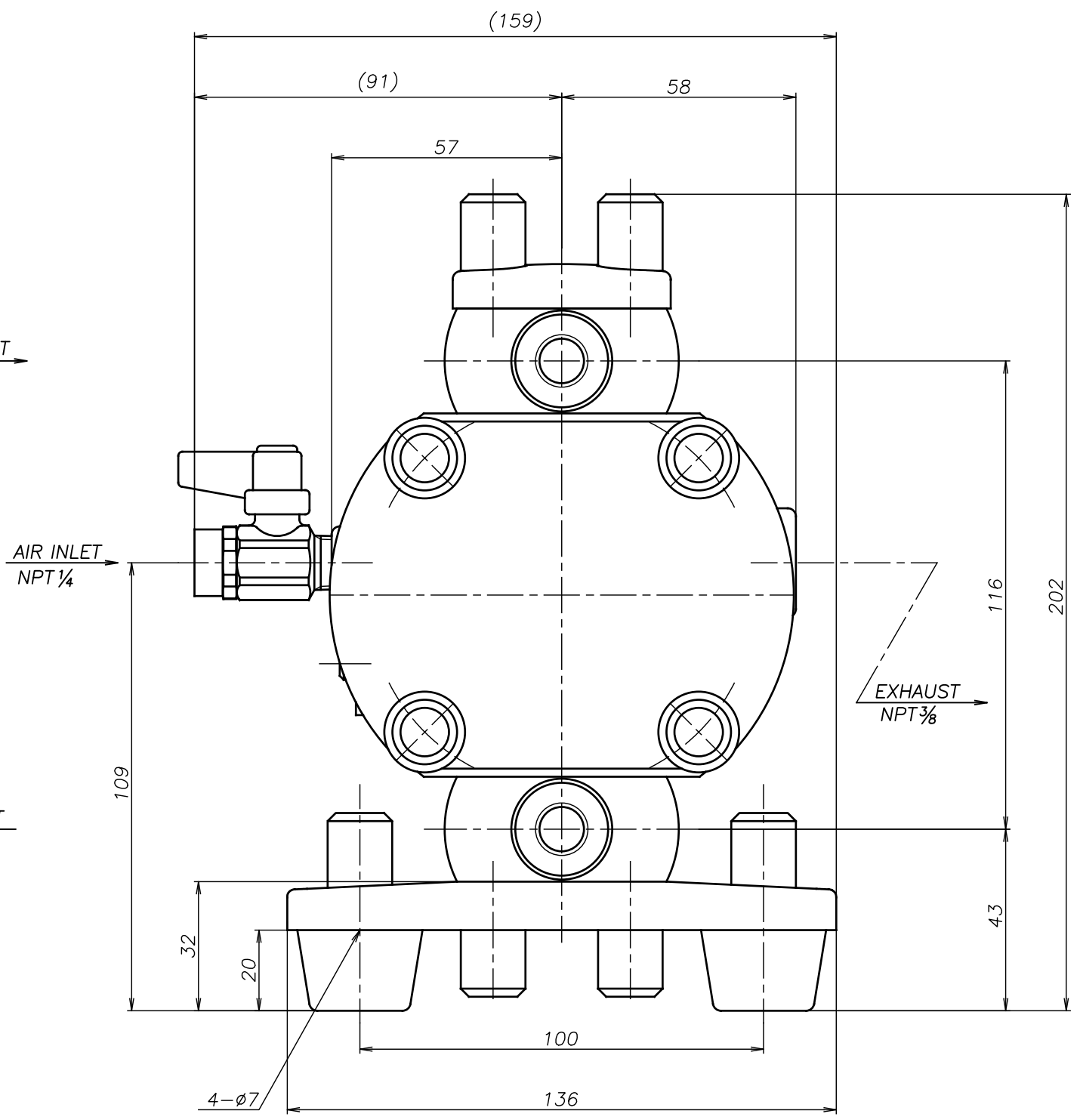
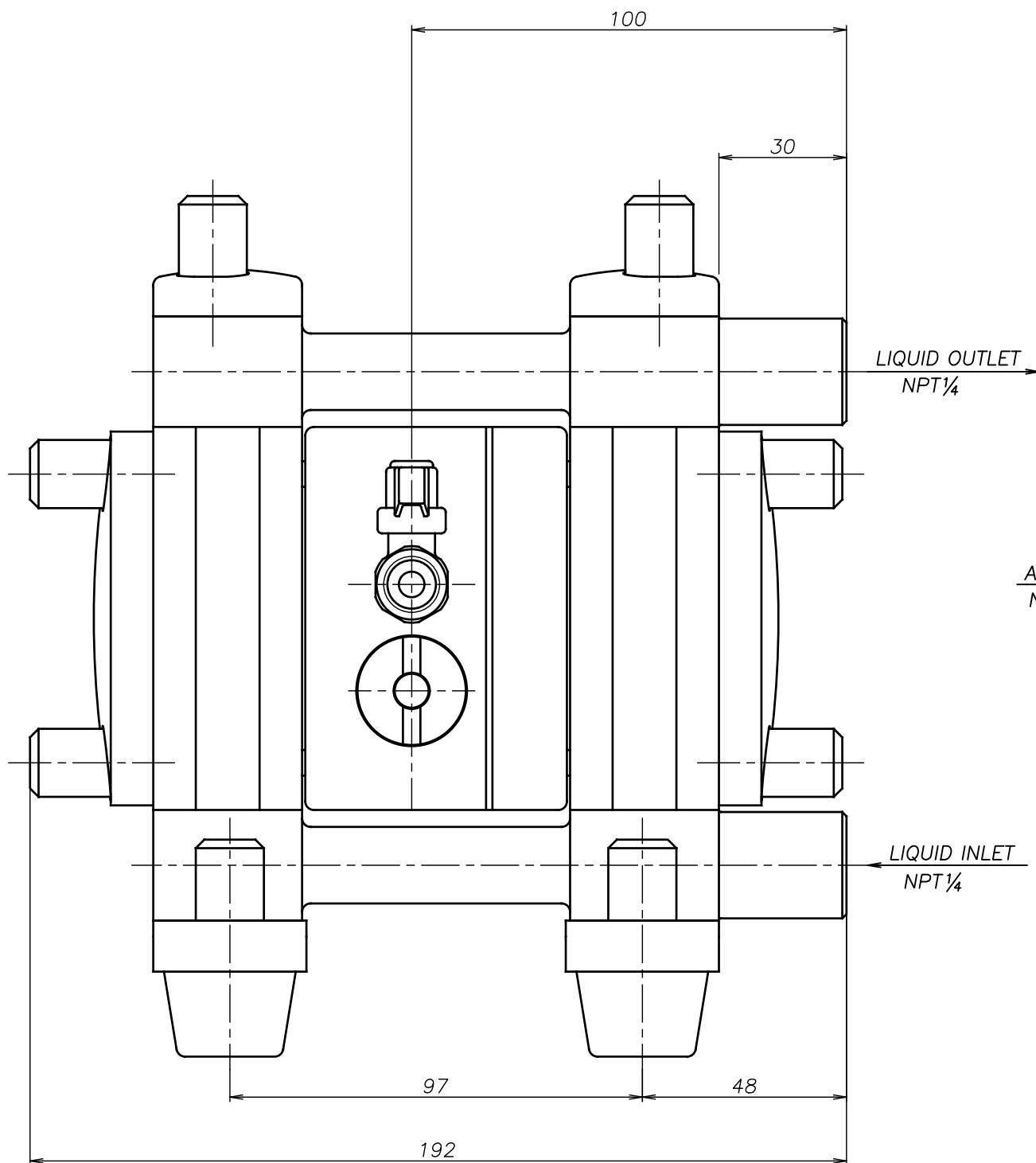


SYM	DWG.NO	CHANGE NO	DATE	REV'D BY
1C00032YN-A	1CE0012		'15. 9. 8	S.Murata
△ 1C00032YN-B	1BE0005		'19.10.28	K.Nakada



APP'D BY	'19.10.28 S.Murata	THE DWG. OF:	ダイアフラムポンプアセンブリ
CHECKED BY	'19.10.28 K.Nakano	DIAPHRAGM PUMP ASSEMBLY	
DRAWN BY	'19.10.28 K.Nakada	△TC-X050HTN	
YTS Co., Ltd JAPAN		THIRD ANG. PROJ.	DWG.NO.
SCALE Free		1C00032YN-B	