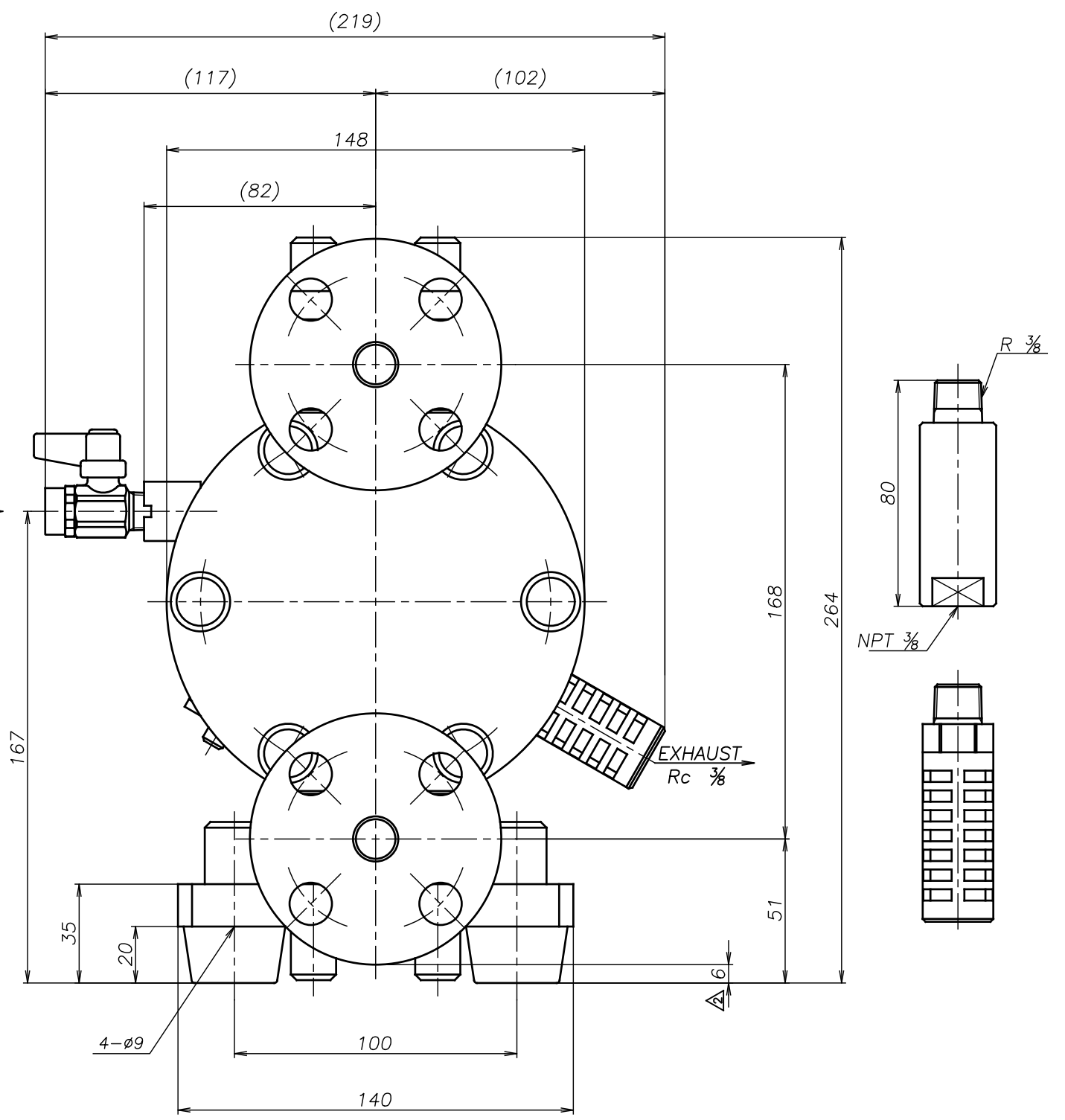
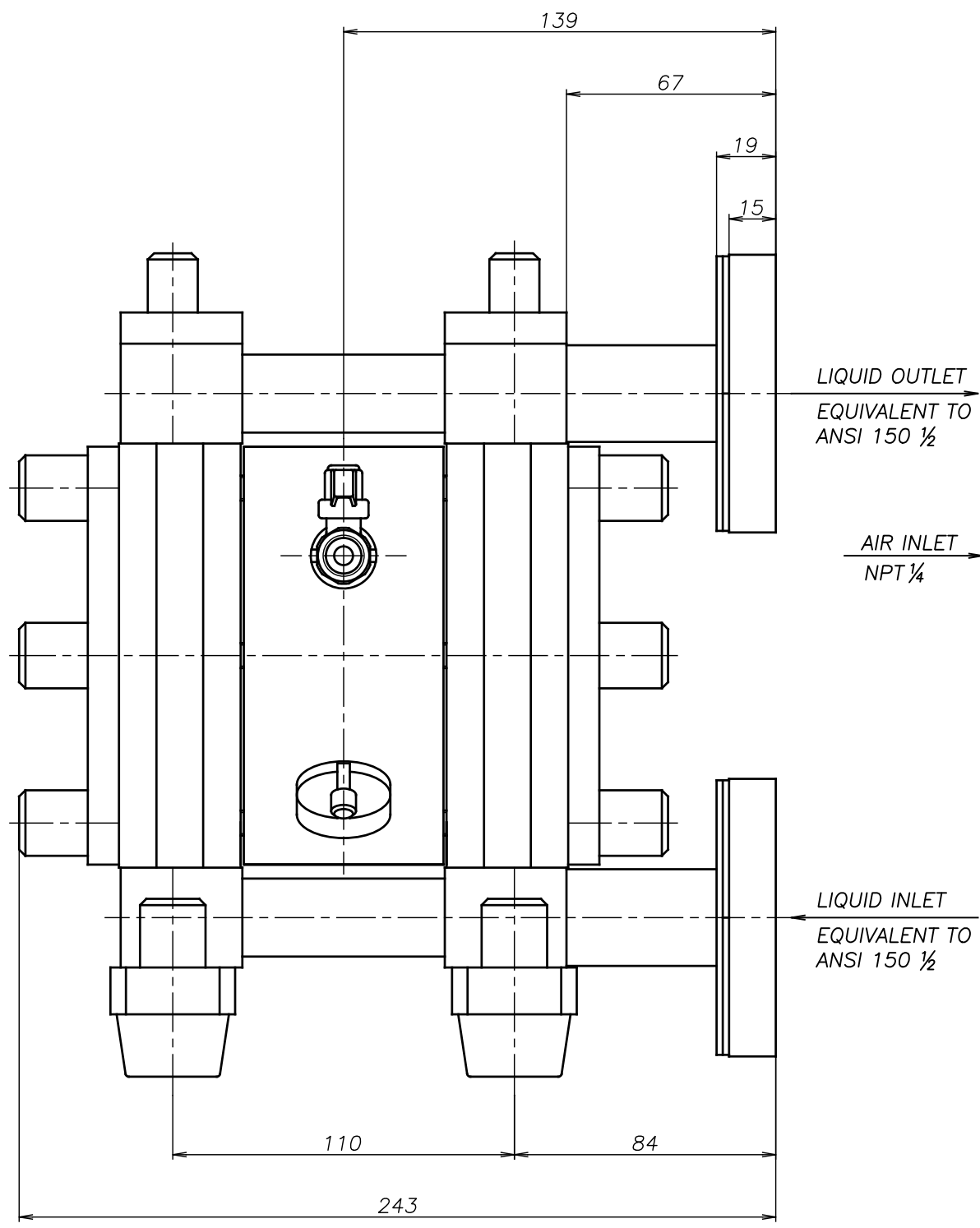


SYM	DWG.NO	CHANGE NO	DATE	REV'D BY
△	ALL	1DE0006	'15. 8.27	K.Nakada
△	ALL	1BE0005	'19.10.28	K.Nakada
△	ALL	1BE0006 異記訂正	'20. 6.23	K.Nakada



APP'D BY '20. 8.18 S.Murata		THE DWG. OF: ダイヤフラムポンプアセンブリ	
CHECKED BY '20. 8.18 K.Nakano		DIAPHRAGM PUMP ASSEMBLY	
DRAWN BY '20. 8.18 K.Nakada		△TC-X100HTA	
YTS Co., Ltd JAPAN		THIRD ANG. PROJ.	DWG.NO.
		SCALE Free	1D00081YN-C
		THIRD ANG. PROJ.	DWG.NO.
		SCALE Free	1D00079YN-C