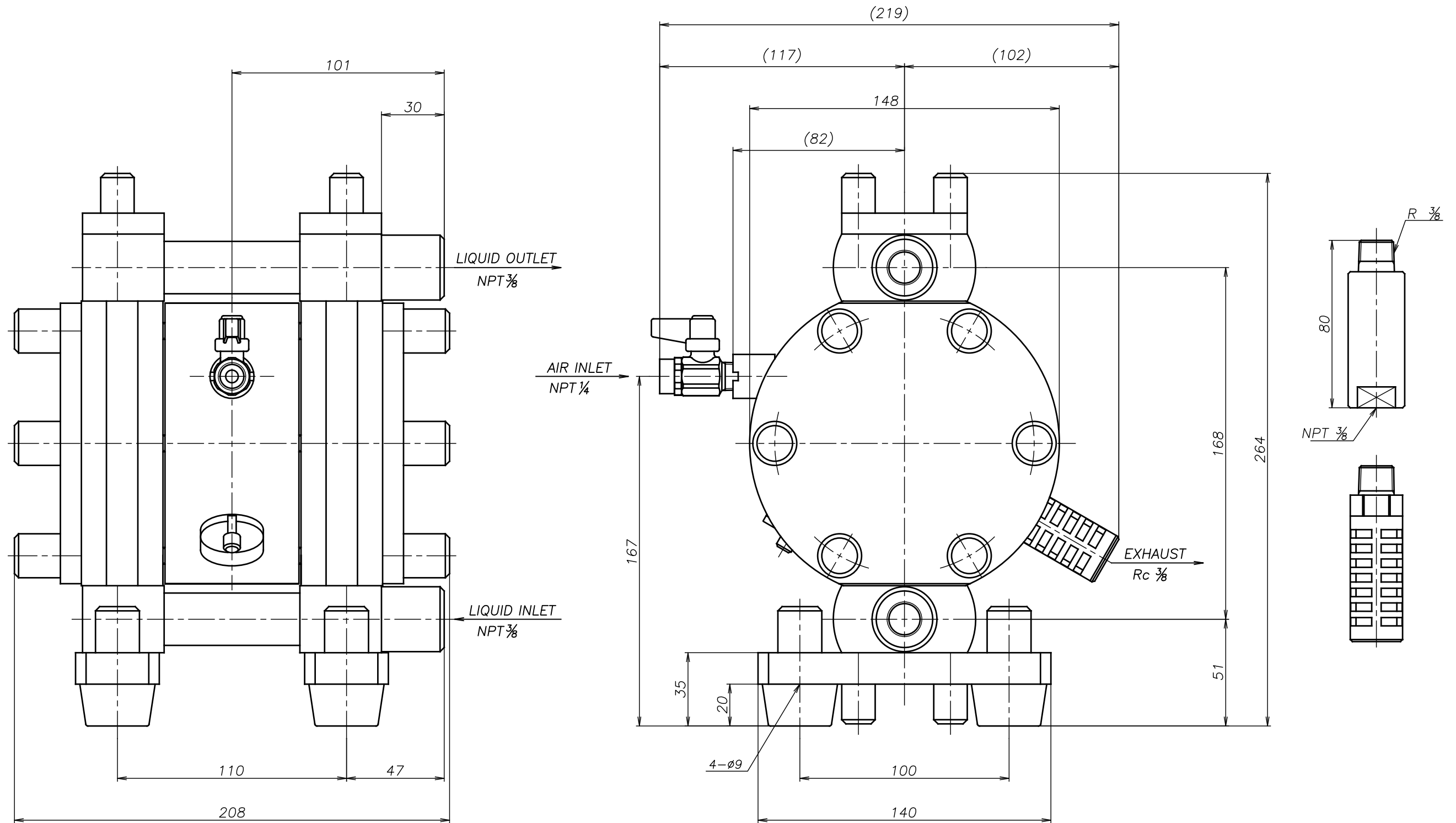


SYM	DWG.NO	CHANGE NO	DATE	REV'D BY
△	ALL	1DE0006	'15. 8.27	K.Nakada
△	ALL	1BE0005	'19.10.28	K.Nakada



APP'D BY '19.10.28 S.Murata		△TC-X100HTN-X	
CHECKED BY '19.10.28 K.Nakano		THIRD ANG. PROJ.	DWG.NO.
DRAWN BY '19.10.28 K.Nakada		SCALE Free	1D00080YN-B
YTS Co., Ltd JAPAN		THE DWG. OF: ダイアフラムポンプアSEMBリ DIAPHRAGM PUMP ASSEMBLY	
		△TC-X100HTN	
		THIRD ANG. PROJ.	DWG.NO.
		SCALE Free	1D00078YN-B