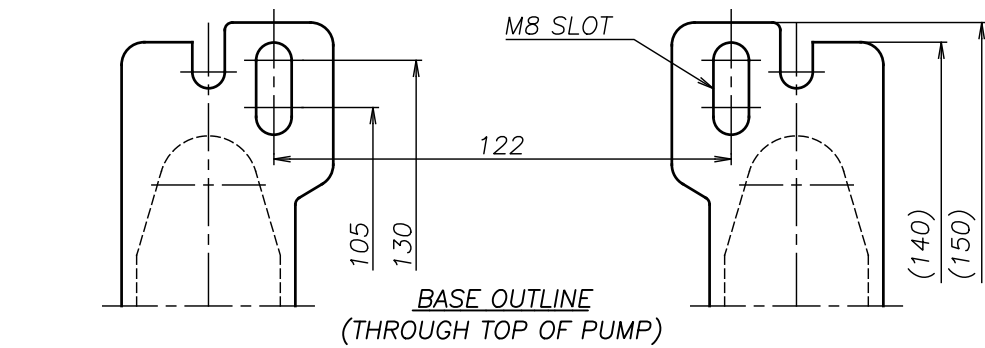
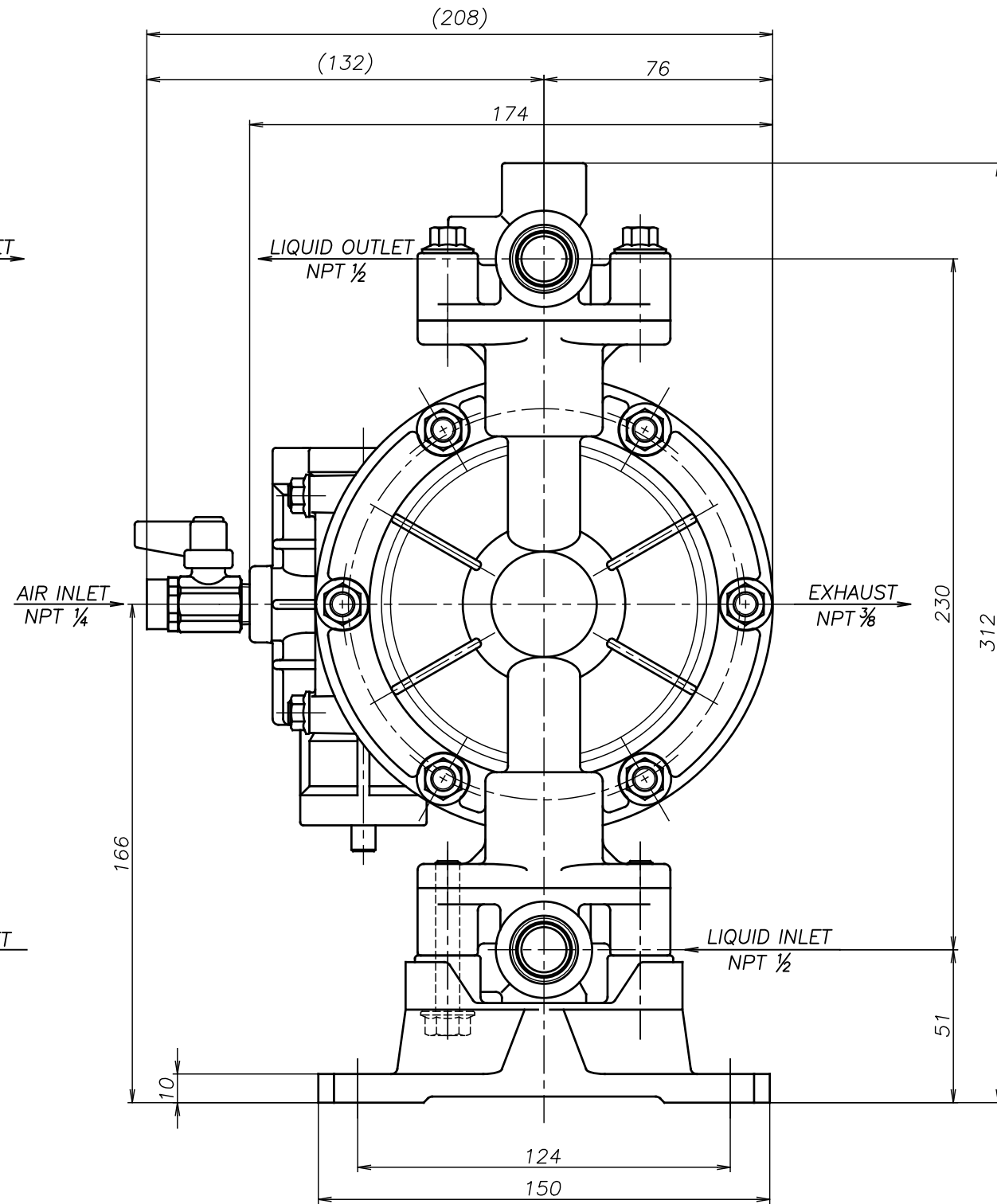
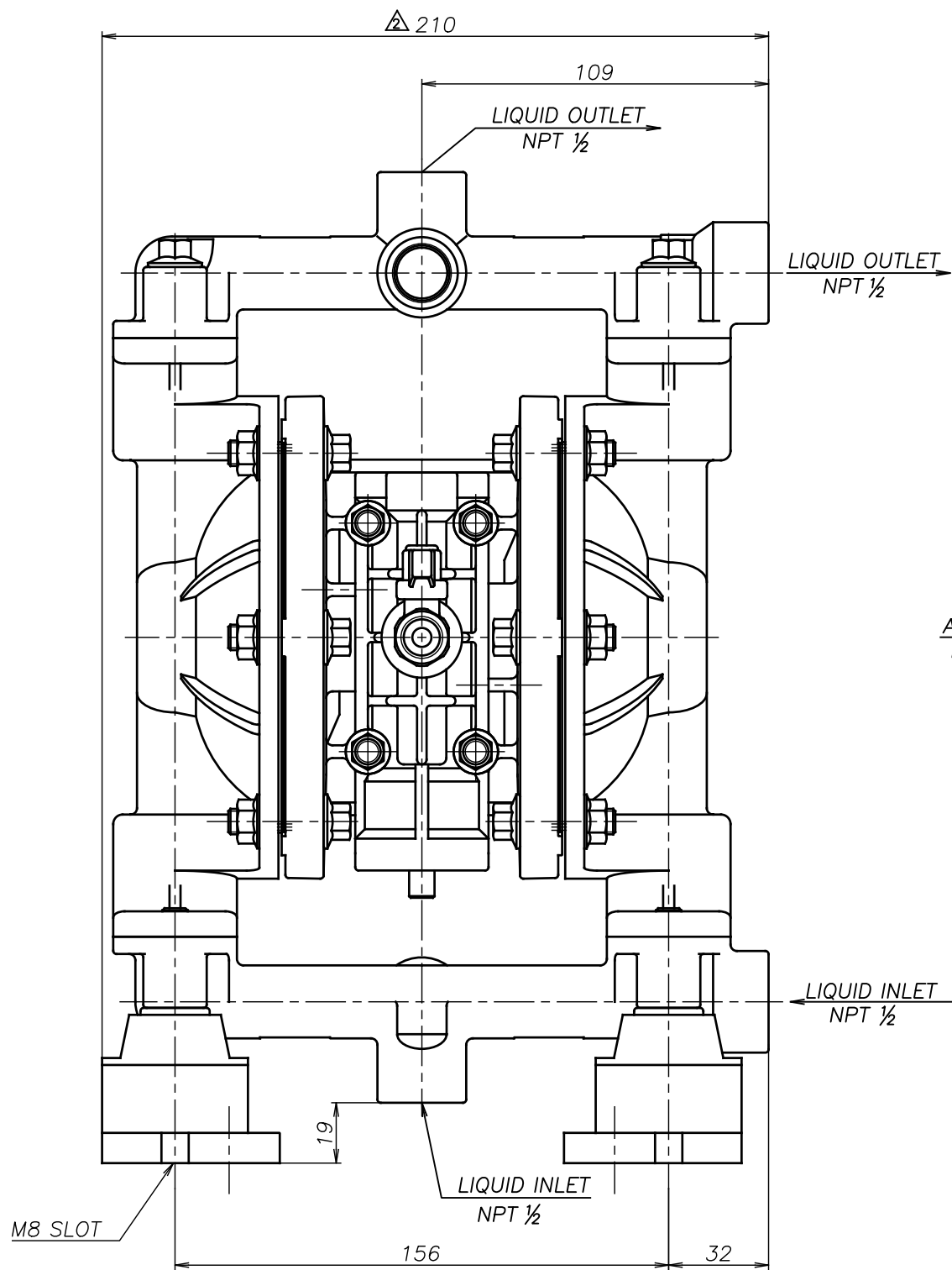


SYM	DWG.NO	CHANGE NO	DATE	REV'D BY
△	ALL	1E00015	'14. 4. 8	K.Nakada
△	ALL	1BE0005	'19.10.28	K.Nakada
△	ALL	1BE0006 異記訂正	'20. 6.23	K.Nakada



△TC-X152SSN	THIRD ANG. PROJ.	DWG.NO.	1E00081YN-C
SCALE Free			
△TC-X152SHN	THIRD ANG. PROJ.	DWG.NO.	1E00080YN-C
SCALE Free			
△TC-X152STN	THIRD ANG. PROJ.	DWG.NO.	1E00079YN-C
SCALE Free			
△TC-X152SNN	THIRD ANG. PROJ.	DWG.NO.	1E00078YN-C
SCALE Free			
APP'D BY '20. 8.18 S.Murata	THE DWG. OF: ダイヤフラムポンプアセンブリ		
CHECKED BY '20. 8.18 K.Nakano	DIAPHRAGM PUMP ASSEMBLY		
DRAWN BY '20. 8.18 K.Nakada	△TC-X152SCN		
YTS Co., Ltd JAPAN	THIRD ANG. PROJ.	DWG.NO.	1E00077YN-C
	SCALE Free		