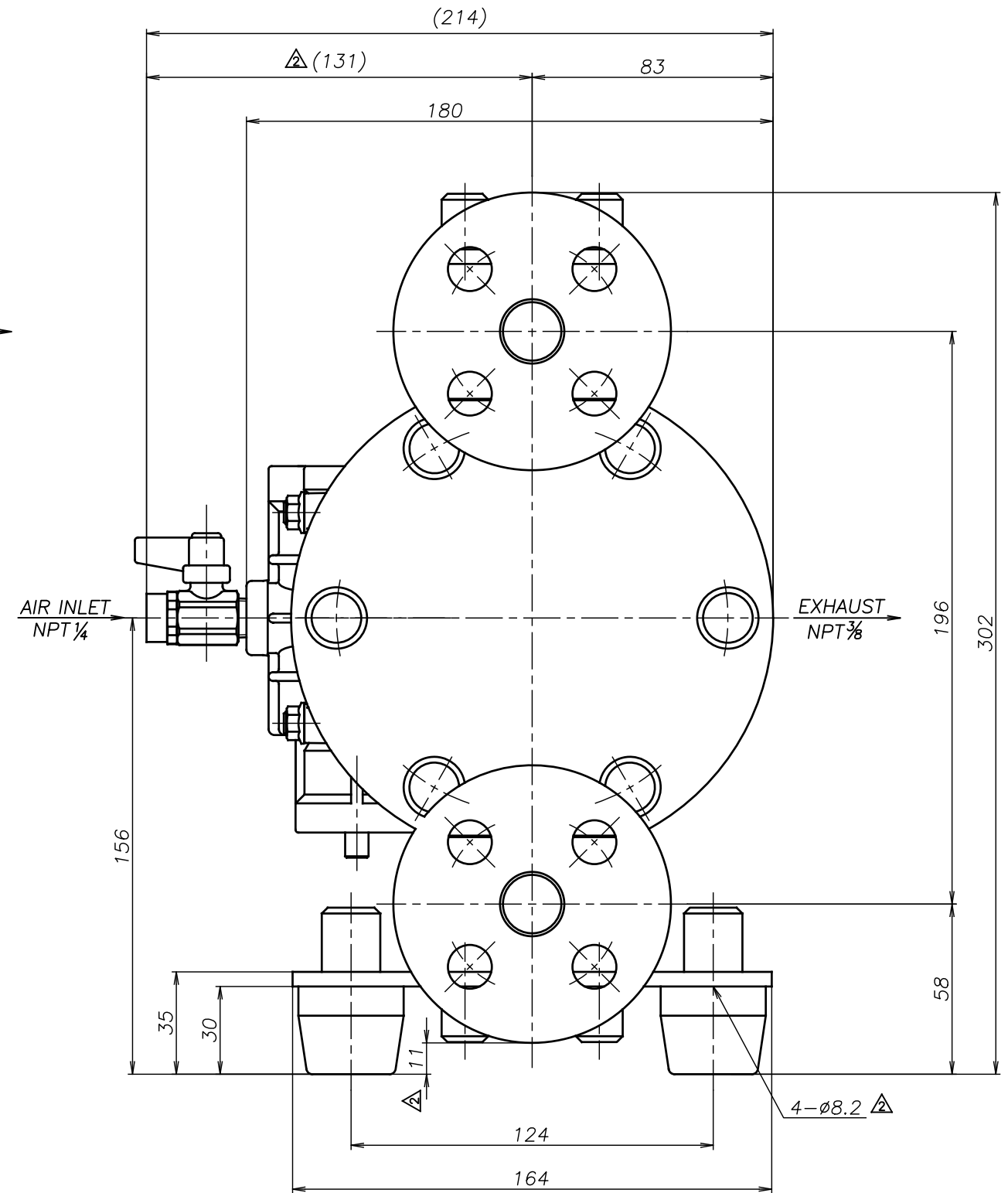
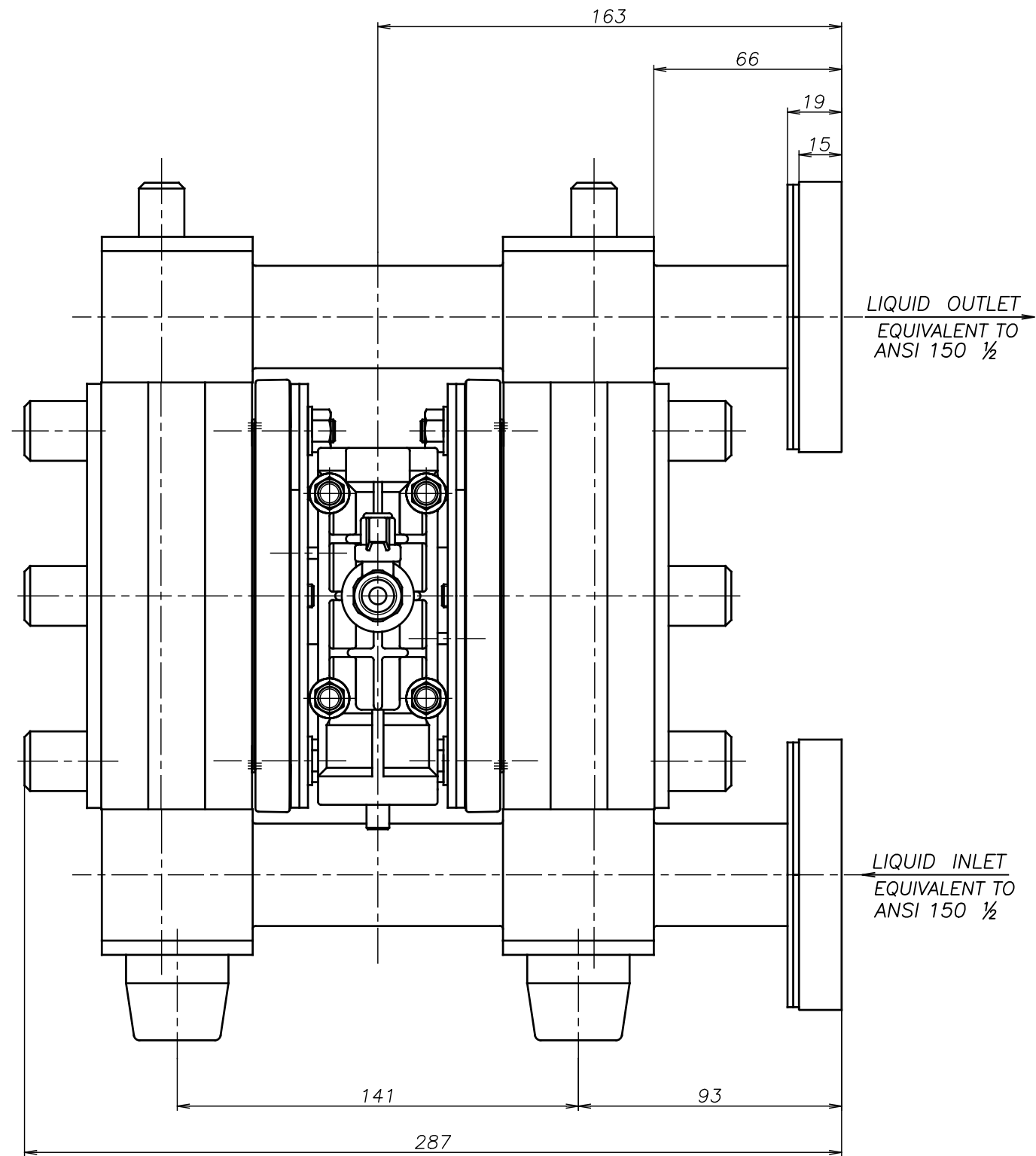


SYM	DWG.NO	CHANGE NO	DATE	REV'D BY
1E00083YN-A	1E00002		'14. 5.23	K.Nakada
1E00083YN-B	1BE0005		'19.10.28	K.Nakada
1E00083YN-C	1BE0006	異記訂正	'20. 6.23	K.Nakada



APP'D BY	'20. 8.18 S.Murata	THE DWG. OF:	ダイアフラムポンプアセンブリ
CHECKED BY	'20. 8.18 K.Nakano	DIAPHRAGM PUMP ASSEMBLY	
DRAWN BY	'20. 8.18 K.Nakada	△TC-X152TTA	
YTS CORPORATION JAPAN		THIRD ANG. PROJ.	DWG.NO.
SCALE Free		1E00083YN-C	