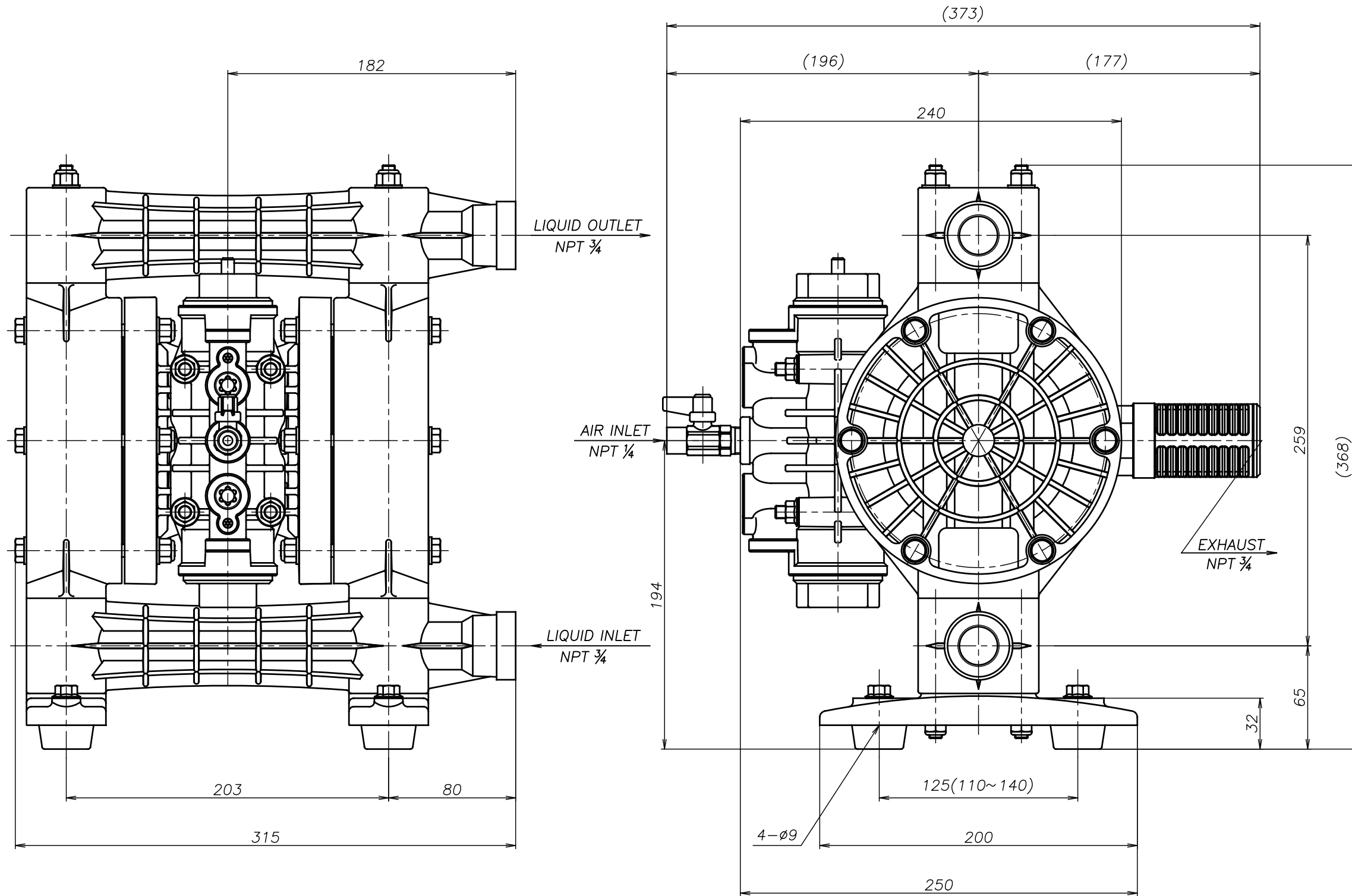


SYM	DWG.NO	CHANGE NO	DATE	REV'D BY
△	ALL	1GE0002	'15. 4. 8	K.Nakada
△	ALL	1BE0005	'19.10.28	K.Nakada



△TC-X200GSN	THIRD ANG. PROJ.	DWG.NO.
SCALE Free		1G00039YN-B
△TC-X200GHN	THIRD ANG. PROJ.	DWG.NO.
SCALE Free		1G00038YN-B
△TC-X200GTN	THIRD ANG. PROJ.	DWG.NO.
SCALE Free		1G00037YN-B
△TC-X200GVN	THIRD ANG. PROJ.	DWG.NO.
SCALE Free		1G00036YN-B
△TC-X200GEN	THIRD ANG. PROJ.	DWG.NO.
SCALE Free		1G00035YN-B
△TC-X200GNN	THIRD ANG. PROJ.	DWG.NO.
SCALE Free		1G00034YN-B

APP'D BY '19.10.28	S.Murata	THE DWG. OF:
CHECKED BY '19.10.28	K.Nakano	ダイヤフラムポンプアセンブリ
DRAWN BY '19.10.28	K.Nakada	DIAPHRAGM PUMP ASSEMBLY
		△TC-X200GCN
		THIRD ANG. PROJ.
		DWG.NO.
		SCALE Free
		1G00033YN-B

**YTS** Co., Ltd JAPAN