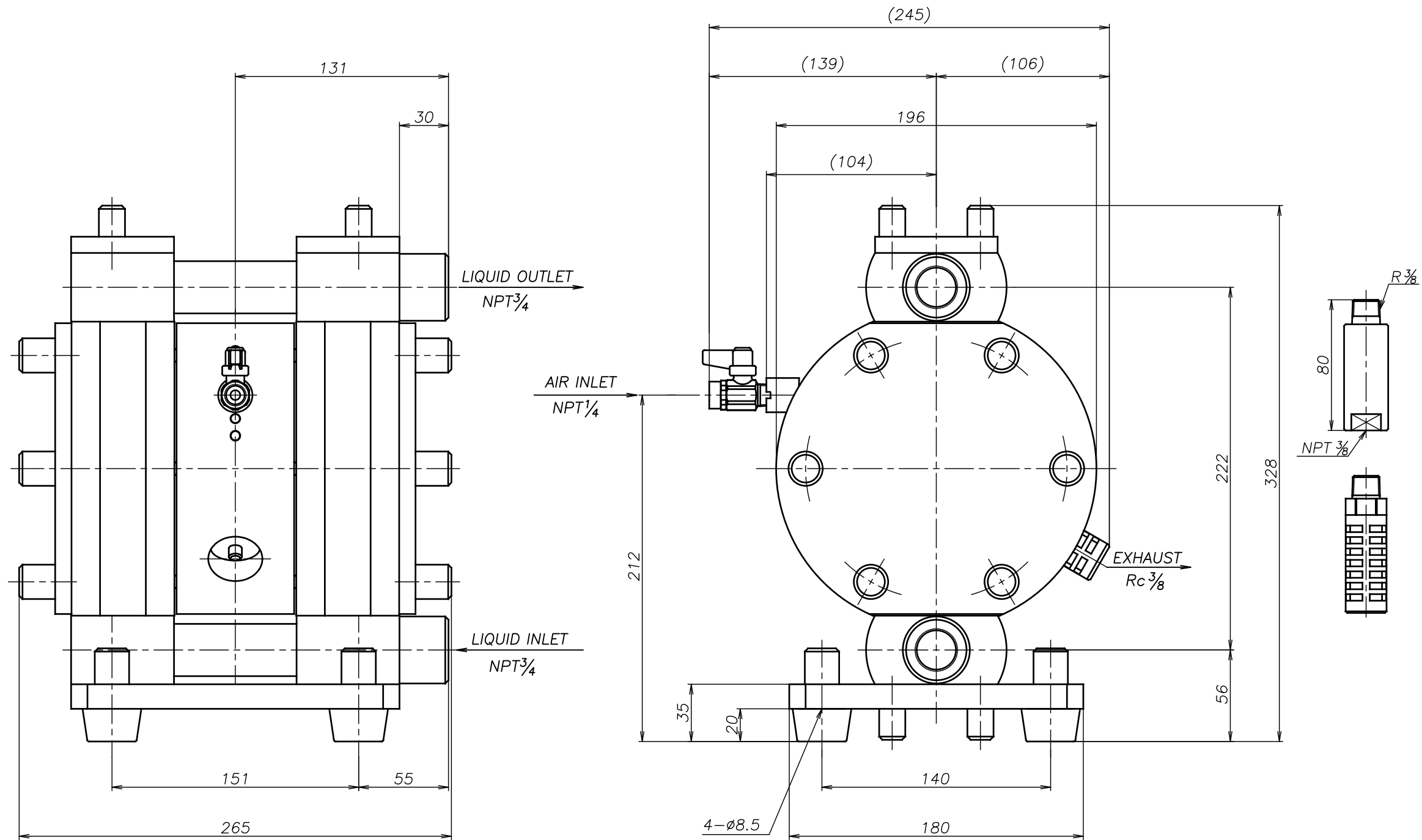


SYM	DWG.NO	CHANGE NO	DATE	REV'D BY
/	ALL	1GE0006	'15. 8.27	K.Nakada
△	ALL	1BE0005	'19.10.28	K.Nakada



△TC-X200HTN-X
 THIRD ANG. PROJ. DWG.NO.
 SCALE Free 1G00055YN-B

APP'D BY	'19.10.28 S.Murata	THE DWG. OF:	ダイアフラムポンプアセンブリ
CHECKED BY	'19.10.28 K.Nakano	DIAPHRAGM PUMP ASSEMBLY	
DRAWN BY	'19.10.28 K.Nakada	△TC-X200HTN	
YTS Co., Ltd JAPAN		THIRD ANG. PROJ. DWG.NO.	SCALE Free 1G00053YN-B