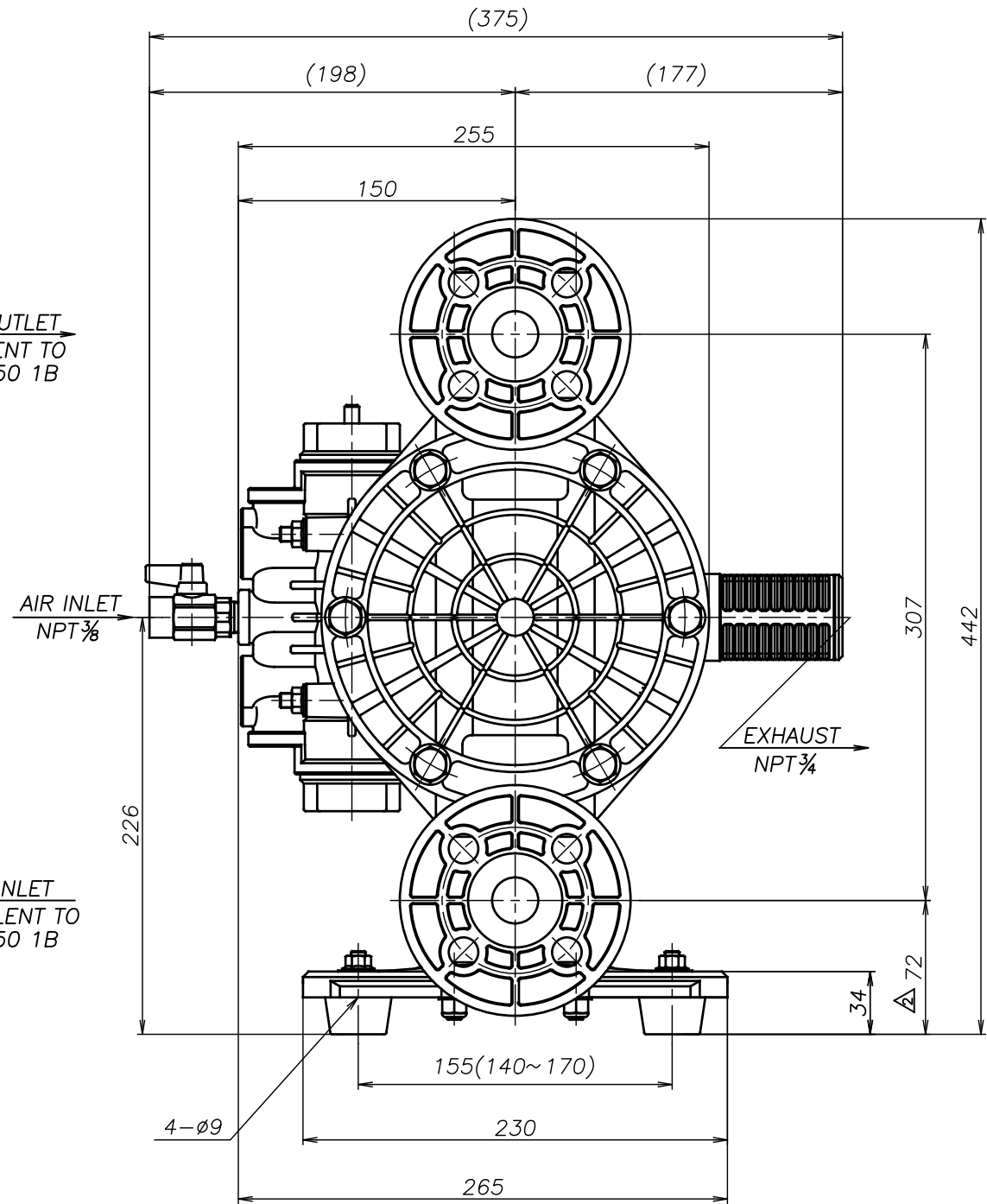
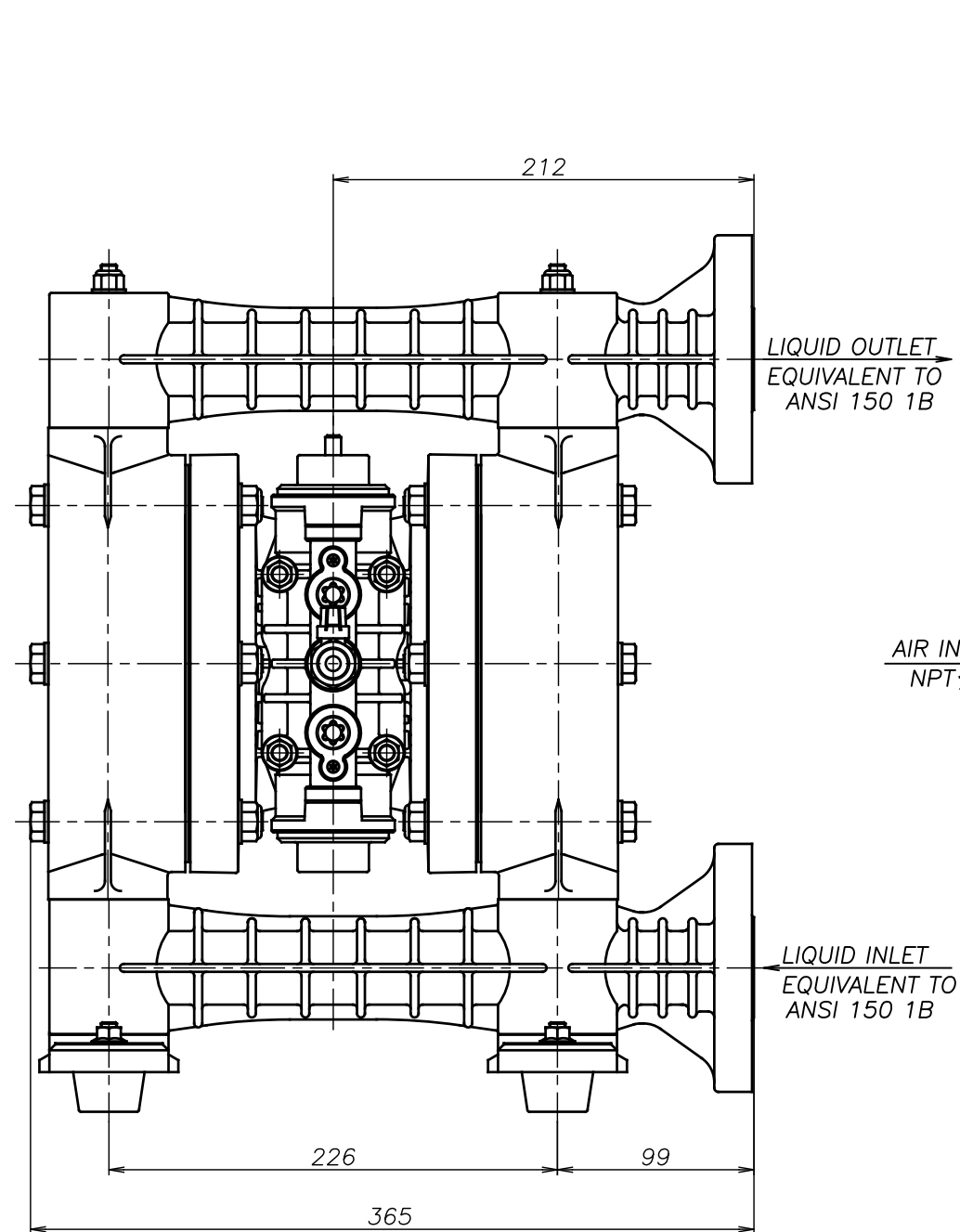


SYM	DWG.NO	CHANGE NO	DATE	REV'D BY
△	ALL	1HE0008	'15. 4. 8	K.Nakada
△	ALL	1BE0005	'19.10.28	K.Nakada
△	ALL	1BE0006 異記訂正	'20. 6.23	K.Nakada



△TC-X250GSA	THIRD ANG. PROJ.	DWG.NO.
SCALE Free		1H00103YN-C
△TC-X250GHA	THIRD ANG. PROJ.	DWG.NO.
SCALE Free		1H00102YN-C
△TC-X250GTA	THIRD ANG. PROJ.	DWG.NO.
SCALE Free		1H00101YN-C
△TC-X250GVA	THIRD ANG. PROJ.	DWG.NO.
SCALE Free		1H00100YN-C
△TC-X250GEA	THIRD ANG. PROJ.	DWG.NO.
SCALE Free		1H00099YN-C
△TC-X250GNA	THIRD ANG. PROJ.	DWG.NO.
SCALE Free		1H00098YN-C

APP'D BY '20. 8.18 S.Murata	THE DWG. OF:
CHECKED BY '20. 8.18 K.Nakano	ダイヤフラムポンプアセンブリ
DRAWN BY '20. 8.18 K.Nakada	DIAPHRAGM PUMP ASSEMBLY
YTS CORPORATION JAPAN	△TC-X250GCA
	THIRD ANG. PROJ.
	DWG.NO.
	SCALE Free
	1H00097YN-C