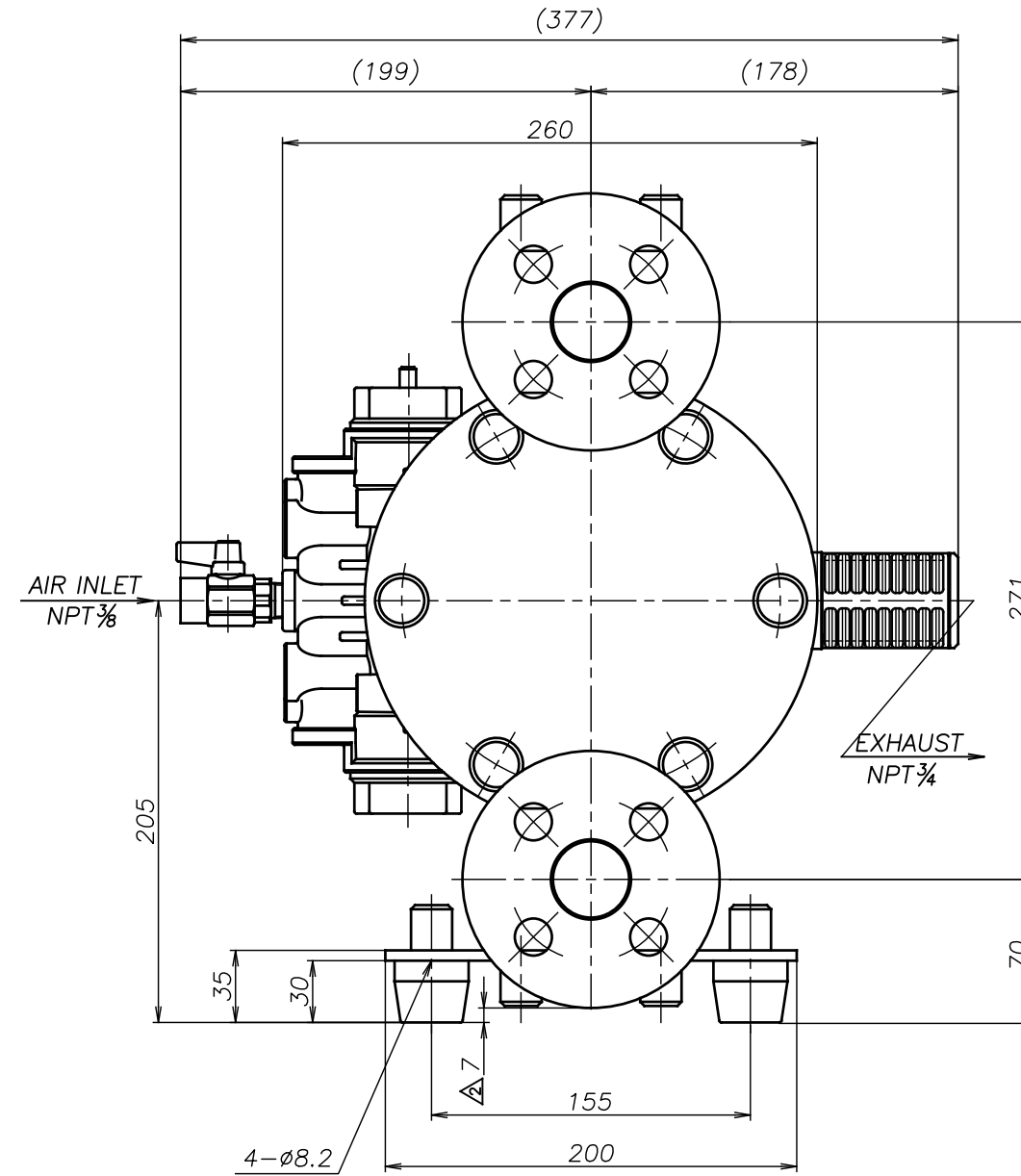
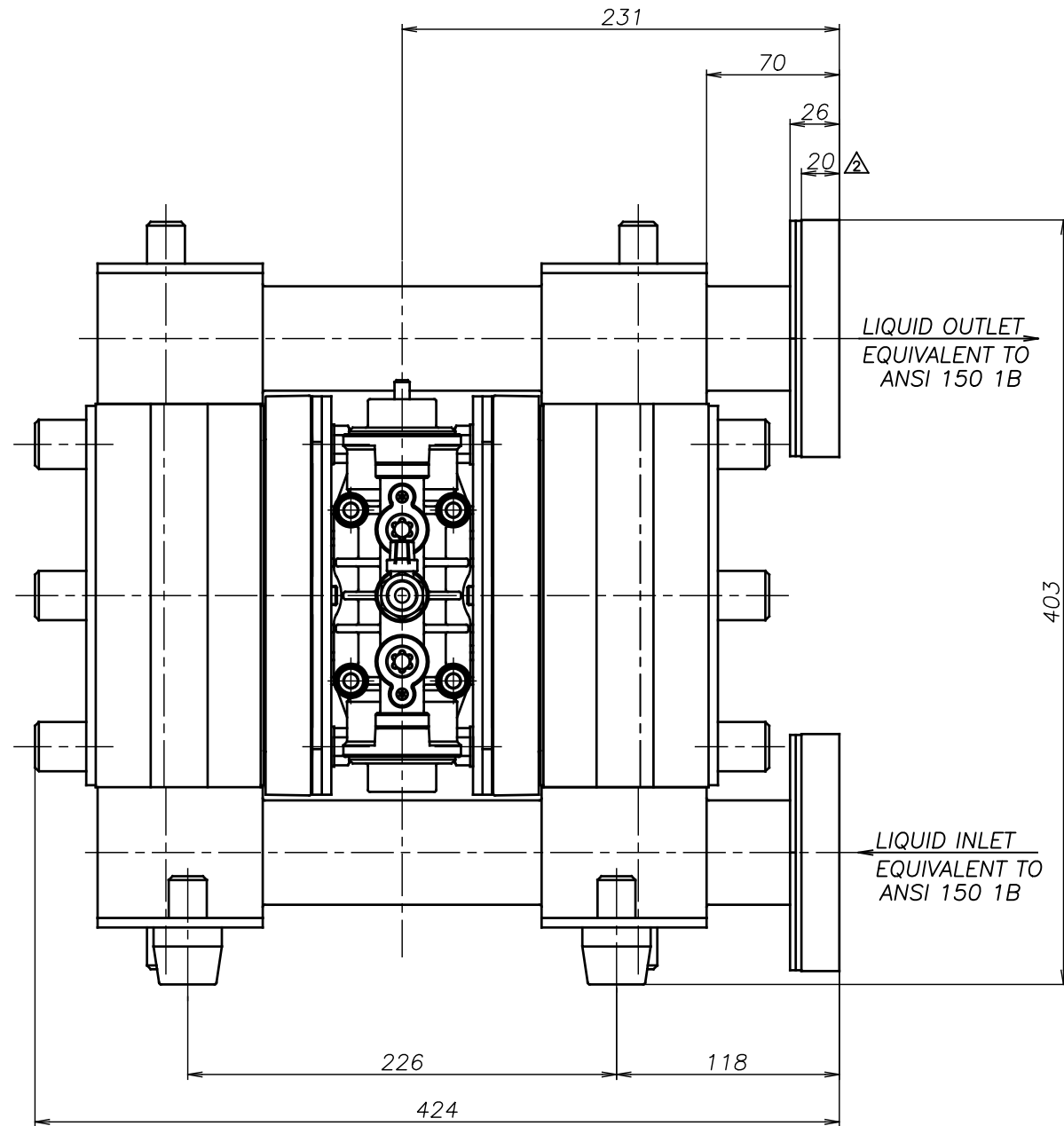


| SYM           | DWG.NO  | CHANGE NO | DATE      | REV'D BY |
|---------------|---------|-----------|-----------|----------|
| 1H00136YN-A   | 1HE0008 |           | '15. 4. 8 | K.Nakada |
| △ 1H00136YN-B | 1BE0005 |           | '19.10.28 | K.Nakada |
| △ 1H00136YN-C | 1BE0006 | 異記訂正      | '20. 6.23 | K.Nakada |



|                       |                    |                         |                |
|-----------------------|--------------------|-------------------------|----------------|
| APP'D BY              | '20. 8.18 S.Murata | THE DWG. OF:            | ダイアフラムポンプアセンブリ |
| CHECKED BY            | '20. 8.18 K.Nakano | DIAPHRAGM PUMP ASSEMBLY |                |
| DRAWN BY              | '20. 8.18 K.Nakada | △TC-X250TTA             |                |
| YTS CORPORATION JAPAN |                    | THIRD ANG. PROJ.        | DWG.NO.        |
|                       |                    | SCALE Free              | 1H00136YN-C    |