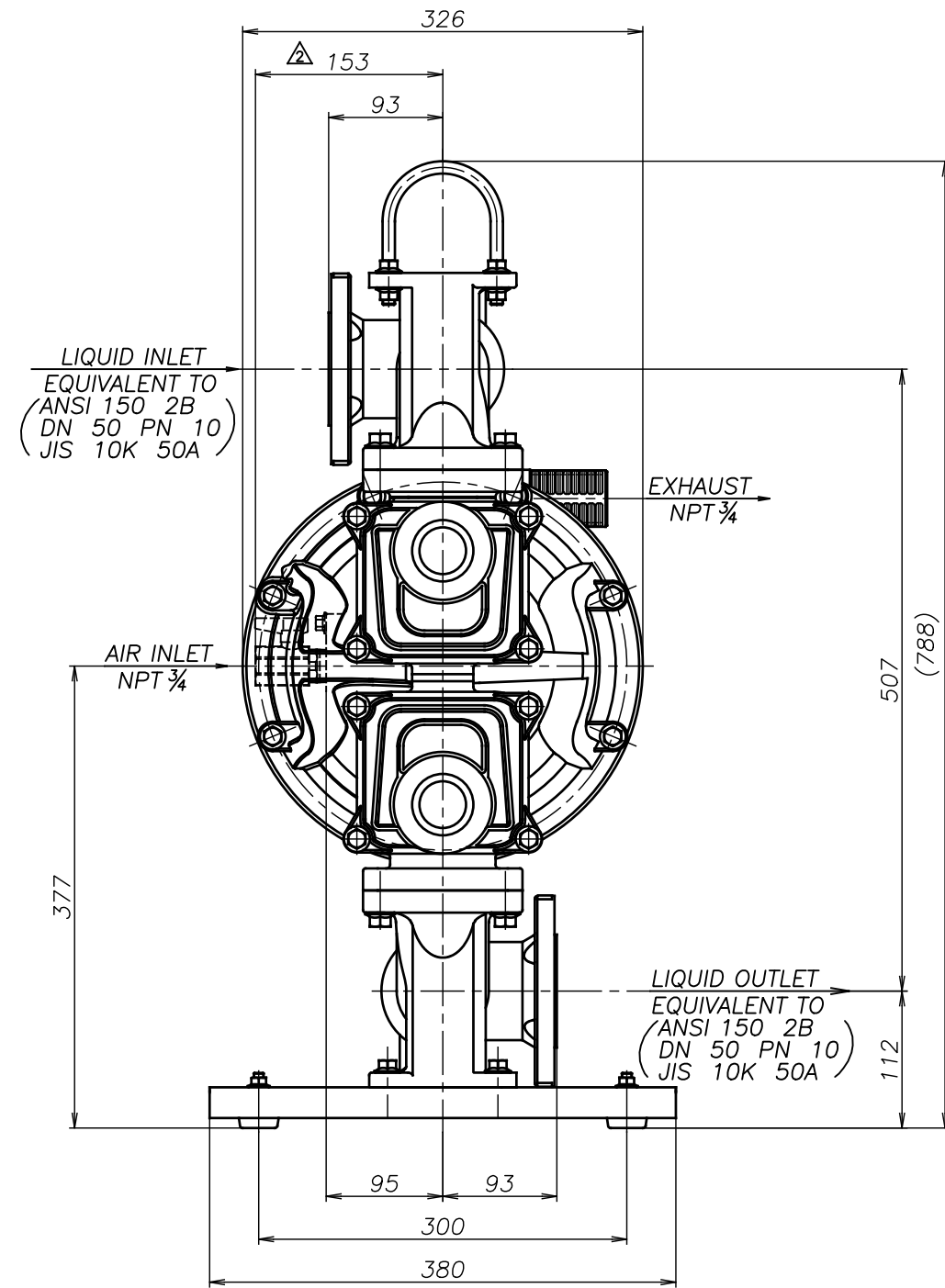
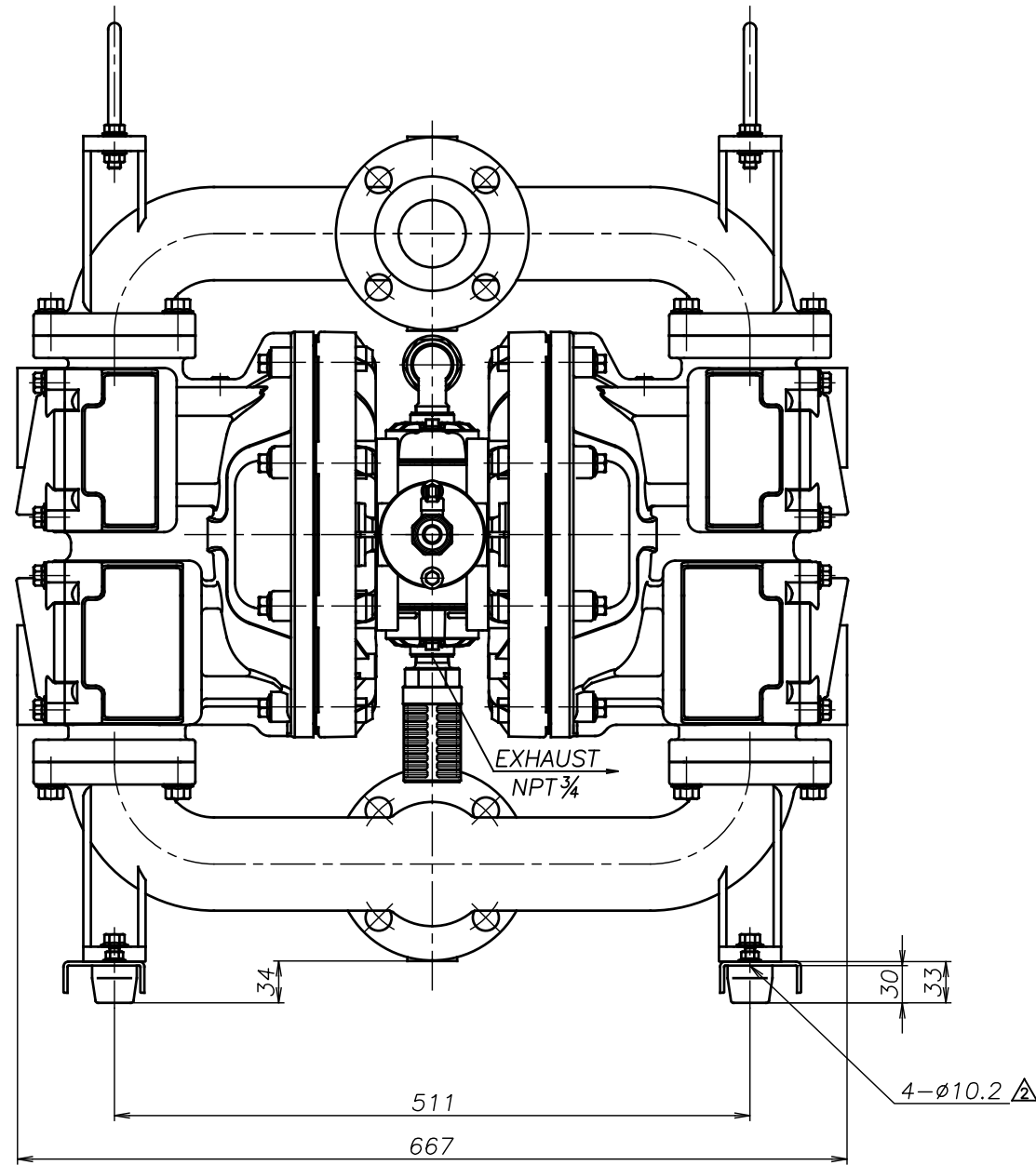


SYM	DWG.NO	CHANGE NO	DATE	REV'D BY
△	ALL	1BE0005	'19.10.28	K.Nakada
△	ALL	1BE0006 誤記訂正	'20. 6.23	K.Nakada



△TC-X500ASAW-M	
THIRD ANG. PROJ.	DWG.NO.
SCALE Free	1M00422YN-C
THE DWG. OF:	
ダイアフラムポンプアセンブリ	
DIAPHRAGM PUMP ASSEMBLY	
△TC-X500ANAW-M	
THIRD ANG. PROJ.	DWG.NO.
SCALE Free	1M00421YN-C

APP'D BY '20. 8.18 S.Murata
 CHECKED BY '20. 8.18 K.Nakano
 DRAWN BY '20. 8.18 K.Nakada

YTS Co., Ltd JAPAN